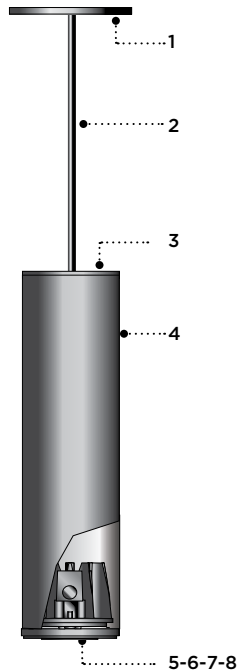


TYPE: _____ QUANTITY: _____ PROJECT: _____

CATALOG NUMBER:

FIXTURE WATTAGE VOLTAGE FINISH OPTION OPTION OPTION OPTION



- 1- 5.2" (132) diameter ceiling mount canopy.
- 2- Standard silver braided 3/18 power cord.
- 3- Cast aluminum top cover.
- 4- Extruded aluminum cylindrical driver housing.
- 5- Sealed cast aluminum down light assembly.
- 6- Sealed cast aluminum lens frame.
- 7- Clear tempered glass lens.
- 8- Faceted specular aluminum reflector.

All stainless steel hardware.



MATERIALS

Syrios LED is made of corrosion resistant 356 aluminum alloy with a copper (CU) content of less than 0.1%.

The main housing is made of seamless extruded aluminum, with an integrally sealed LED light module designed for optimal heat dissipation, and lighting performance.

Syrios LED SY305 series is standard with 26° optic. See options section for alternate selection.

ELECTRICAL

DRIVER Standard 0-10V dimmable LED driver is 120/277V multi volt (50-60HZ) with operating temperatures of -30°C/-22°F to 60°C/140°F. Output over voltage. Output over current and output short circuit protection with auto-recovery.

LED Standard 4000K LED engine included. Optional 3000K, 3500K & 5000K. Removable modular LED platform.

LIFE

54,000hrs $L_{75}B_{50}$ (based on IESNA TM-21 Test Method and LM-80 data).
68,000hrs $L_{70}B_{50}$ (calculated projection from LM-80 data).

FINISH

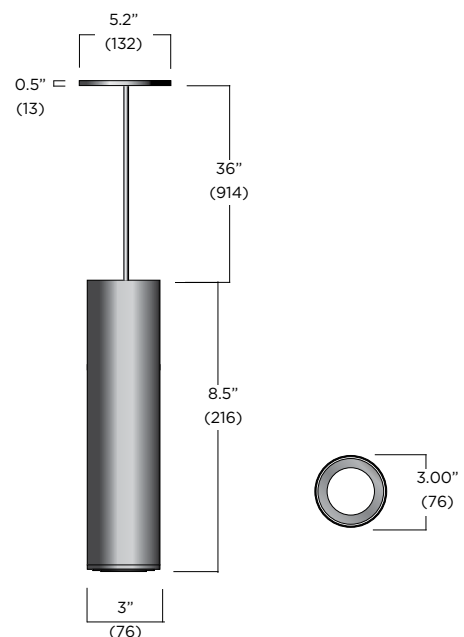
Five-stage preparation process including preheating of cast aluminum parts for air extraction, and an environmentally friendly alloy sealant. Polyester powder coating is applied through an electrostatic process and oven cured for long term finish.

MOUNTING

The mounting plate is designed to fit on a 4" (102) octagonal electrical box using 3 1/2" (89) C/C mounting holes.

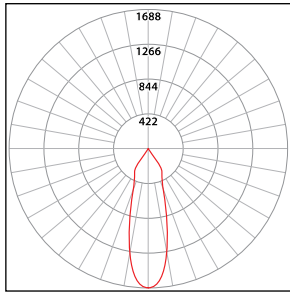
CERTIFICATION

Tested to UL1598 and CSA 22.2 #250. ETL listed wet location. Rated IP66. CE Certification on request.



SY305 SERIES SYRIOS - LED

TYPICAL PHOTOMETRY SUMMARY




Descriptive Information

SY305-L1W11r0
 Total Lms: 1078 Lumens
 Total Input Watts: 12.2 W
 Source: LED
 Efficacy: 88.36 Lumens/Watt
 BUG: B1-U0-G0
 CCT/CRI: 4000K/80
 Maximum Candela: 1688 @ 0 deg

Please visit our web site www.luminis.com for complete I.E.S. formatted download data.

LUMINAIRE SELECTION

MODEL#	LED LIGHT SELECTION	VOLTAGE	FINISH										
 <input type="checkbox"/> SY305	<table border="1"> <thead> <tr> <th>SUFFIX</th> <th>INPUT WATTS</th> <th>DELIVERED LUMENS</th> <th>CRI</th> <th>CCT °K</th> </tr> </thead> <tbody> <tr> <td><input type="checkbox"/> L1W11r0</td> <td>12W</td> <td>1078</td> <td>80</td> <td>4000K</td> </tr> </tbody> </table>	SUFFIX	INPUT WATTS	DELIVERED LUMENS	CRI	CCT °K	<input type="checkbox"/> L1W11r0	12W	1078	80	4000K	<input type="checkbox"/> 120V <input type="checkbox"/> 277V	STANDARD COLORS <input type="checkbox"/> WHT Snow white <input type="checkbox"/> BKT Jet black <input type="checkbox"/> BZT Bronze <input type="checkbox"/> MST Matte silver <input type="checkbox"/> GRT Titanium gray <input type="checkbox"/> DGT Gun metal <input type="checkbox"/> CHT Champagne (Refer to color chart) OPTIONAL COLORS <input type="checkbox"/> CS Custom color <input type="checkbox"/> RAL RAL# color <input type="checkbox"/> SS3 #316 Stainless steel body
	SUFFIX	INPUT WATTS	DELIVERED LUMENS	CRI	CCT °K								
<input type="checkbox"/> L1W11r0	12W	1078	80	4000K									

OPTIONS

ELECTRICAL

- FS Fuse
- STC Aircraft cable

MOUNTING

- STM 36" Stem

COLOR FILTER

- R3 Red color filter
- G3 Green color filter
- B3 Blue color filter

LIGHT & OPTICS

- Alternate CCT °K LED (LCF: Lumen conversion factor)
- K3 3000K CCT 90 CRI (LCF: 0.78)
 - K35 3500K CCT 80 CRI (LCF: 0.983)
 - K5 5000K CCT 80 CRI (LCF: 1.01)
 - RGBW RGBW color changing with DMX512 ready

Alternate reflector optics (26° Standard reflector)

- R40 40° flood optic
- LSL Linear spread lens

