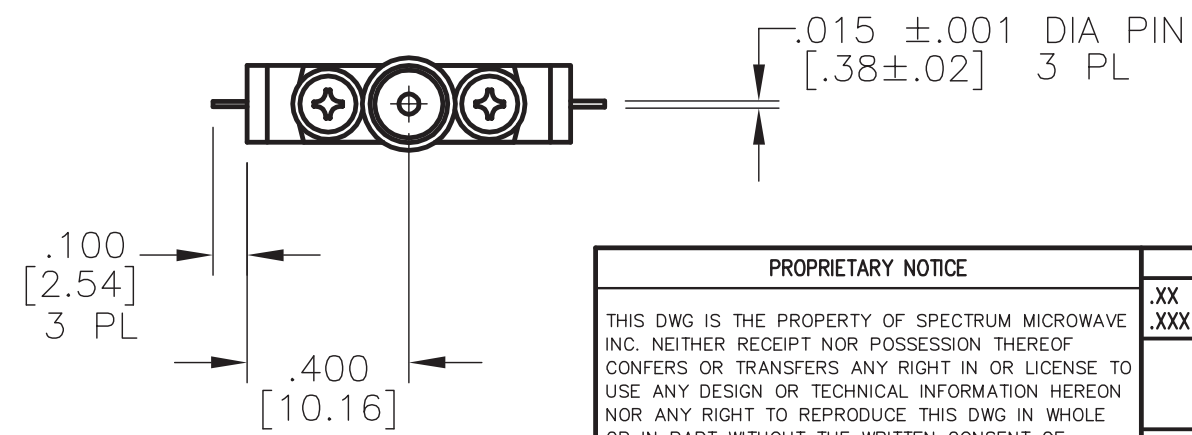
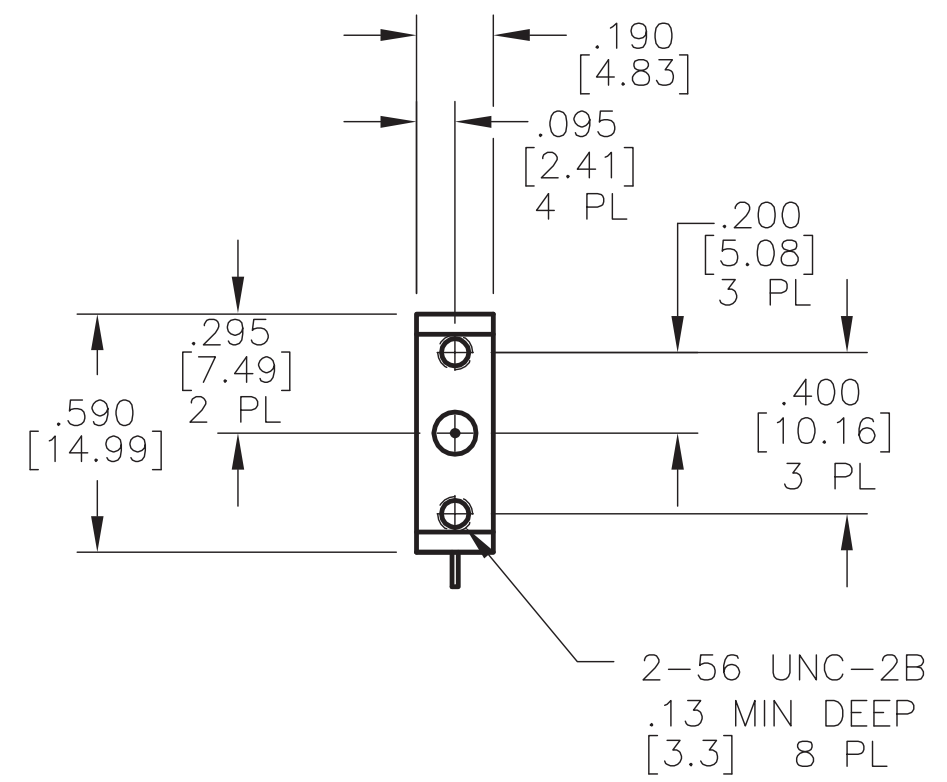
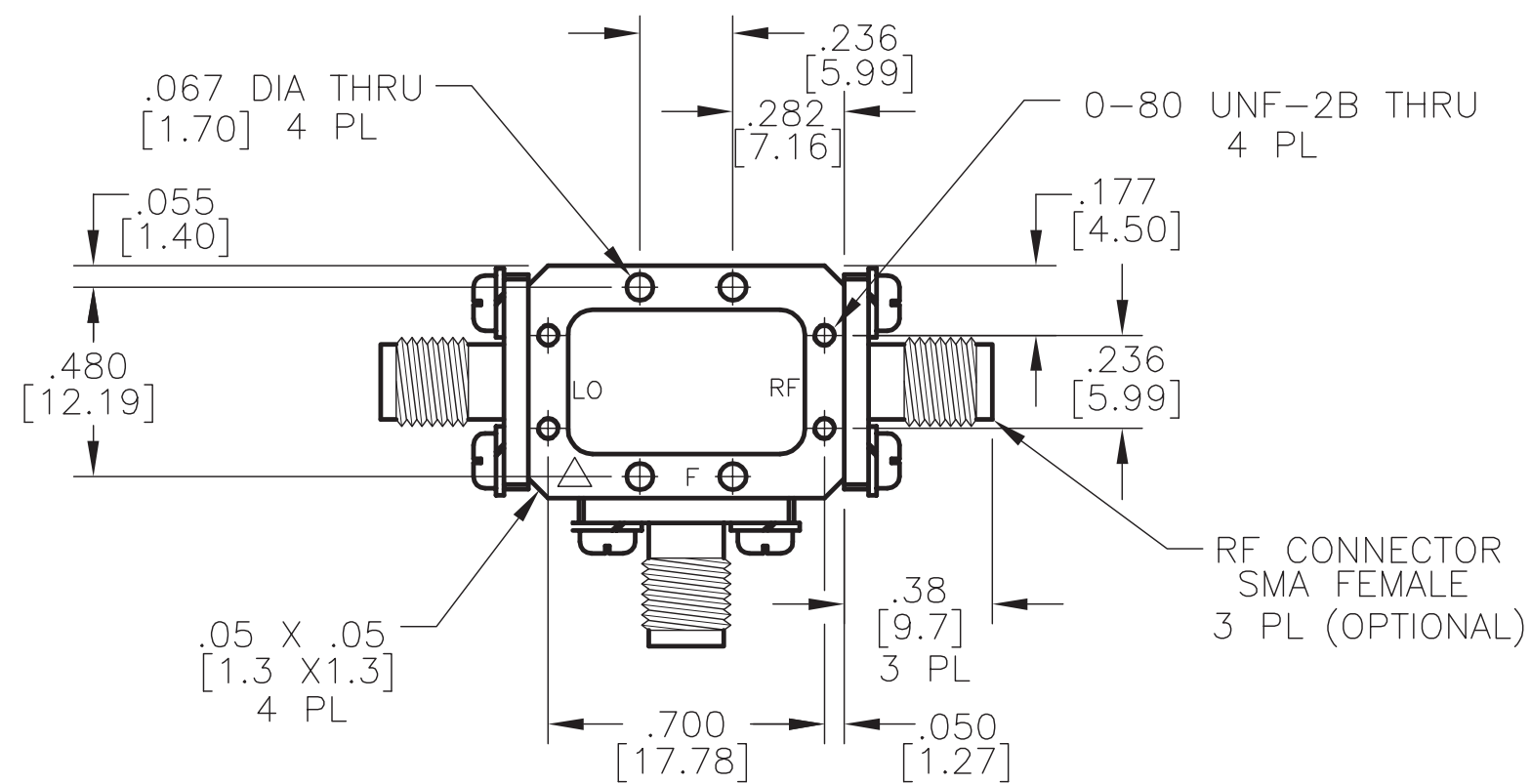
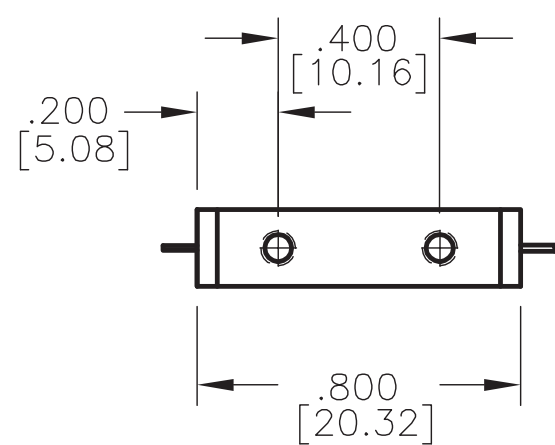
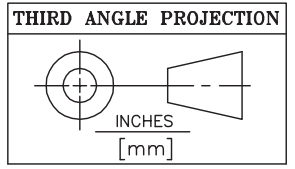


REVISIONS				
ECN	REV	DESCRIPTION	CHNG/DATE	APPVD/DATE
	B.1	ECN# 121001214	JD 1/4/05	JMM 2/9/05



"ML" WITHOUT CONNECTORS
 "PL" WITH REMOVABLE CONNECTORS

TOLERANCE:
 INCHES .XX±.02
 .XXX±.010
 mm .X±.5
 .XX±.25



PROPRIETARY NOTICE THIS DWG IS THE PROPERTY OF SPECTRUM MICROWAVE INC. NEITHER RECEIPT NOR POSSESSION THEREOF CONFERS OR TRANSFERS ANY RIGHT IN OR LICENSE TO USE ANY DESIGN OR TECHNICAL INFORMATION HEREON NOR ANY RIGHT TO REPRODUCE THIS DWG IN WHOLE OR IN PART WITHOUT THE WRITTEN CONSENT OF SPECTRUM MICROWAVE INC. IT IS ISSUED ONLY ON THE EXPRESS CONDITION THAT ITS TECHNICAL CONTENT WHETHER PATENTED OR NOT WILL BE RESPECTED		TOLERANCES (INCHES) .XX = ± .02 .XXX = ± .010 X/X = ± 1/32 X' = ± 1' 0"		CONTRACT NO. DRAWN S. COX PROC ENGRG ENGRG MFG QA		DATE 5/30/02 TITLE OUTLINE L	
RELEASE DATE JOB NO.		MATERIAL FINISH MARK WHERE SHOWN		CONTRACT NO.		2144 Franklin Drive N.E. Palm Bay, Florida 32905 SPECTRUM MICROWAVE INC. A Spectrum Control Business	
		SCALE: 2/1		CAGE CODE		DWG NO. 080-25125-0001 REV B.1	
		SHEET 1 OF 1		APPROX WT		SHEET 1 OF 1	