

A

B

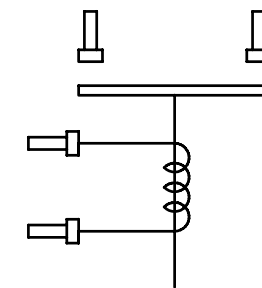
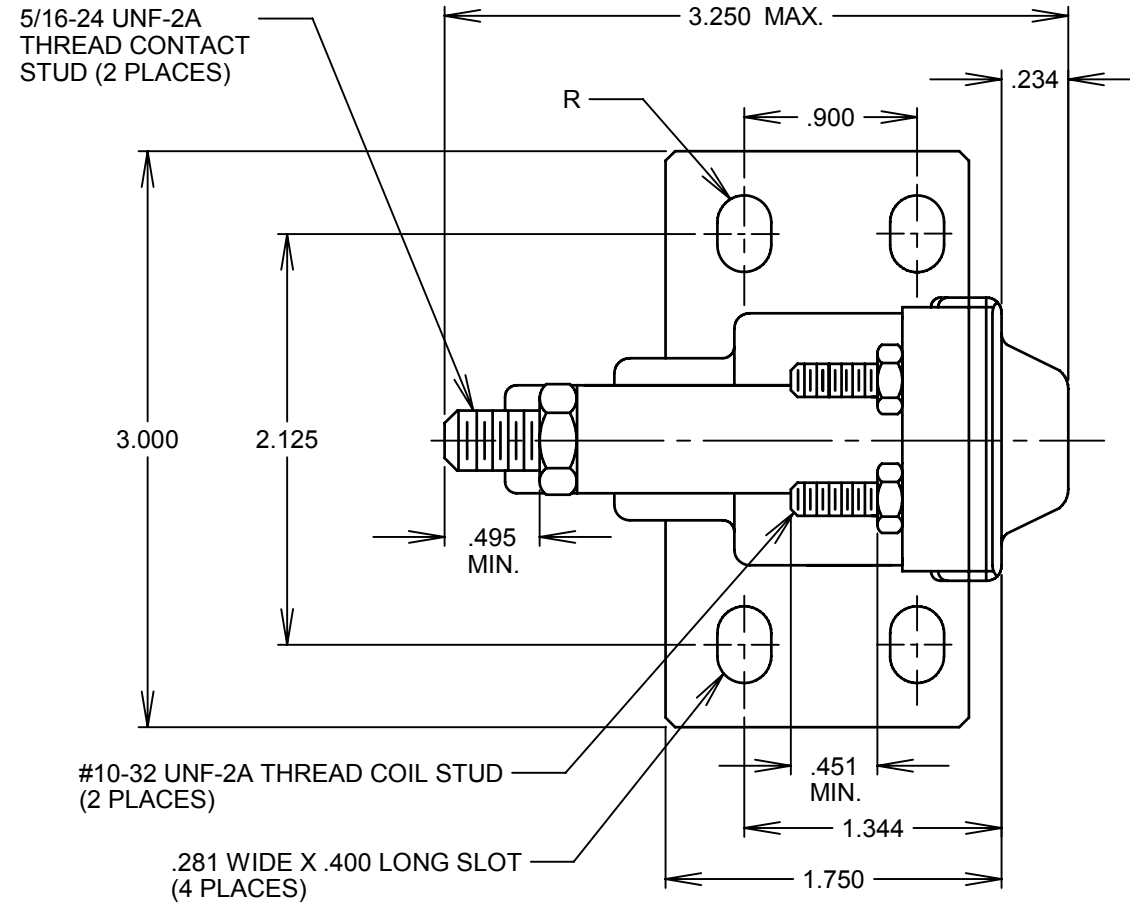
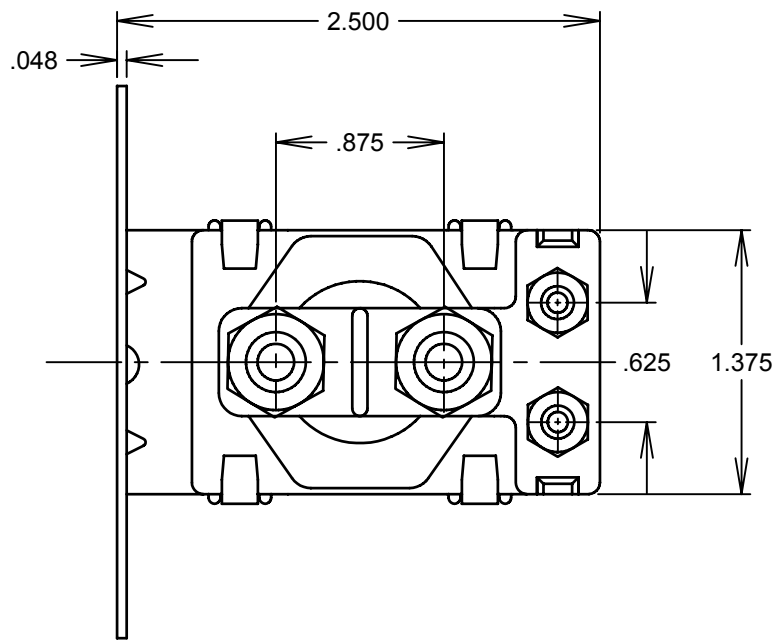
C

D

E

F

G



CIRCUIT DIAGRAM

D.C. CONTACTOR (S.P.N.O. 12VDC)

- NOTES:
 1. RECOMMENDED MOUNTING: TERMINALS UP OR HORIZONTAL.
 2. RECOMMENDED TORQUE: CONTACTS STUDS 55 IN/LB., COIL STUDS 15 IN/LB.

NOTE: WRENCH MUST BE USED ON BOTTOM TERMINAL NUT TO PREVENT ROTATION OF STUD.

DATE CODE PER ENG. STD. 120-0822

120-105752-6 W/R
COIL 12VDC CONT.
MADE IN MEXICO

XXXX 120-907B1

LABEL DETAIL SCALE: 2=1

ECN NO.	LETTER	REVISION RECORD	DATE	BY
169076	F	INFORMATION NOTE ELIM.	9-3-10	BN
169076	E	"TYPE 120" AND "L - BRACKET" ELIM.	9-3-10	BN
169076	D	NOTES REVISED	9-3-10	BN
169076	C	TWO TABLES ELIM.	9-3-10	BN
169076	B	LABEL REVISED	9-3-10	BN
155503	A	RELEASD	7-28-06	DB

MATERIAL (ALL MATERIALS AND PROCESSES MUST BE COMPLIANT WITH RoHS AND JIG LEVEL 'A'):

FINISH:

DO NOT SCALE DRAWING. WORK TO DIMENSIONS. IF PLATING IS SPECIFIED, ALL DIMENSIONS TO BE MET AFTER PLATING.

SIMILAR TO: _____ SUPERSADING: _____
 PROJ. NO.: _____ PART NO. WAS: _____
 MADE FOR (ORIG. USAGE): _____ SCALE: FULL
 DRAWN BY: D. BROWN DATE: 7-28-06
 CHECKED BY: ED KOWALCZYK DATE: 7-28-06

TITLE: CUSTOMER CONTROL DRAWING FOR 120-907

PART NO.: 1000-0046

DESIGN	CTQ	CLASSIFICATION OF CHARACTERISTICS
★	★★	(CRITICAL)
◆	◆◆	(MAJOR)

C of C Review: SM Date: 9-3-10

REFER TO QPRO 7.3-1011 FOR EXPLANATION OF CLASSIFICATION OF CHARACTERISTICS

THIS DOCUMENT IS THE PROPERTY OF WHITE-RODGERS DIVISION OF EMERSON ELECTRIC CO. NEITHER THIS DOCUMENT NOR ANY INFORMATION CONTAINED HEREIN MAY BE USED, REPRODUCED, OR DISCLOSED TO THIRD PARTIES WITHOUT WHITE-RODGERS' WRITTEN CONSENT

White Rodgers
 8100 W. FLORESSANT AVENUE
 P.O. BOX 34922
 ST. LOUIS, MO 63136
 (314) 553-3600

Mouser Electronics

Authorized Distributor

Click to View Pricing, Inventory, Delivery & Lifecycle Information:

[White-Rodgers:](#)

[120-907](#)