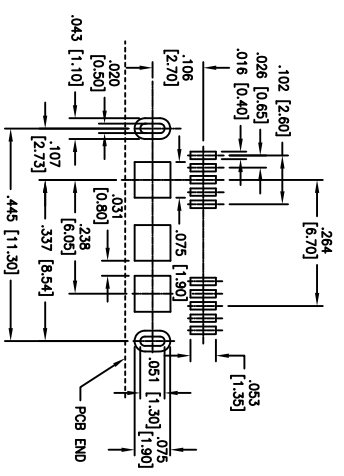
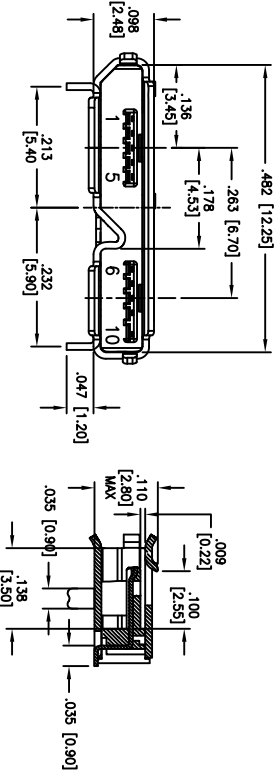
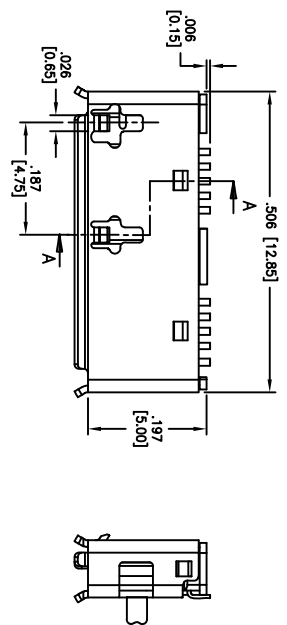
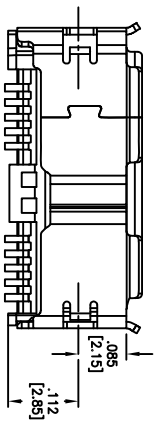


Rev	AWO #	Description	Date	Appr
-		RELEASED	12/3/10	

APPROVED: _____
 DATE: _____ TITLE: _____



Pin Number	Signal Name
1	VCC
2	D-
3	D+
4	TD
5	GN
6	NC
7	NC
8	GN
9	NC
10	NC



SPECIFICATIONS:

Material: Insulator: Hi-Temp Thermoplastic, rated UL 94V-0
 Insulator color: Black
Contacts: Brass
Shell: Stainless Steel, Gold Flash plated on the soldering tab
Plating: Gold flash over Nickel underplate overall
Electrical: Operating voltage: 30 VAC max.
 Current rating: 1 Amp max.
 Contact resistance: 50 mohms max.
 Insulation resistance: 100 Mohms min. @ 500 VDC
 Dielectric withstanding voltage: 250 VAC for 1 minute
Temperature Rating: Operating temperature: -20°C to +85°C
 Environmental: Lead free, RoHS compliant.
 Recommended soldering temp: 260°C for 5 sec.

ADAM TECH

909 Railway Avenue, Union, NJ 07083
 Phone: 908-687-5000 Fax: 908-687-5710

TITLE: MICRO USB 3.0 B TYPE, 10PIN, SMT, DIP SHELL

UNLESS OTHERWISE SPECIFIED ALL DIMENSIONS ARE INCHES [MM]		TOLERANCES: EXCEPT AS NOTED	
.X	± .10	ØXX	± .10
.XX	± .020	ØXXX	± .015
.XXX	± .015	ØXXXX	± .010
APPROVALS		DATE	
DRAWN	AY	12/3/10	
CHECKED	AH	12/3/10	
APPROVED			
SIZE	PART NO.	SCALE	SHEET 1 OF 4
X	MCR-B3-RA-SMT	NTS	
REF: S0042C			