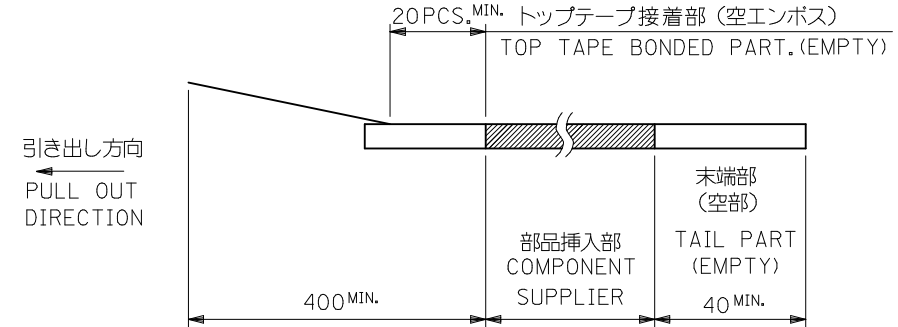
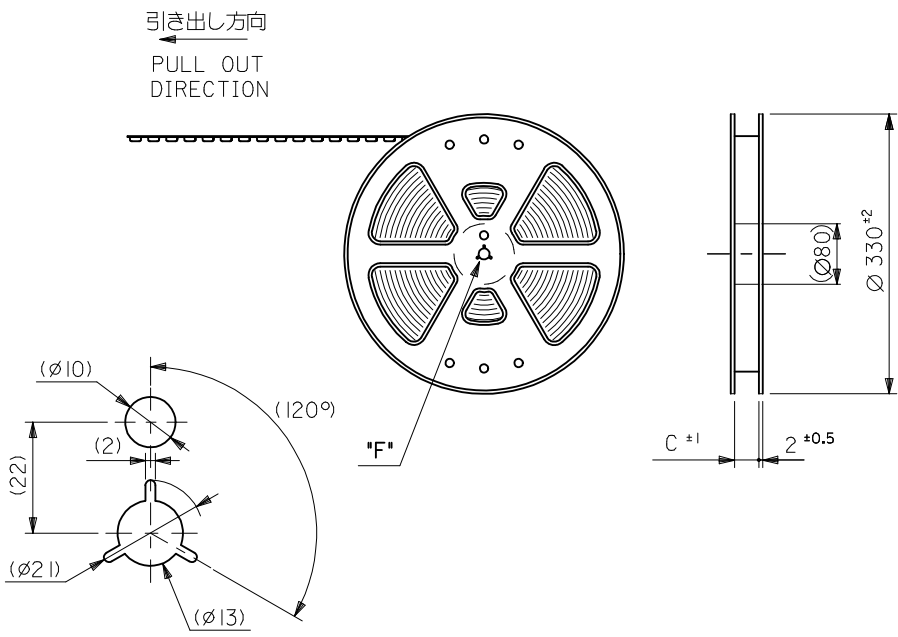
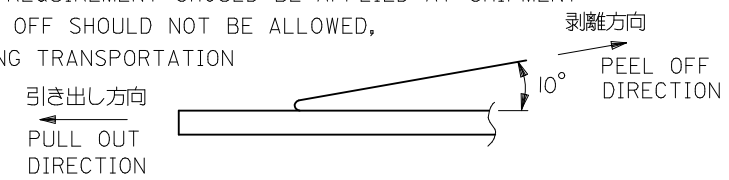


注記 NOTES

- 製品番号 52559-\*\*17 の梱包状態はアクチュエータがロックした状態とする。  
 詳細寸法については図面 SD-52559-\*\*17 を参照下さい。  
 IN THE PACKAGE,ACTUATOR OF PART NO.52559-\*\*17 SHOULD BE LOCKED RE DETAILED DIMENSIONS,SEE SD-52559-\*\*17
- 梱包数量：1000個/リール  
 NUMBER OF CONNECTORS:1000PCS/REEL
- リードテープ長さ LEAD TAPE LENGTH



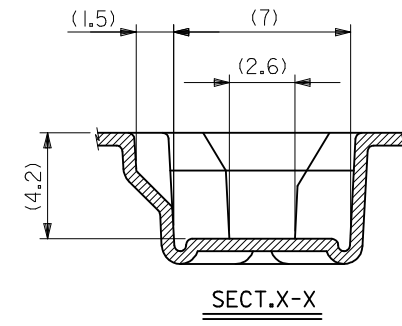
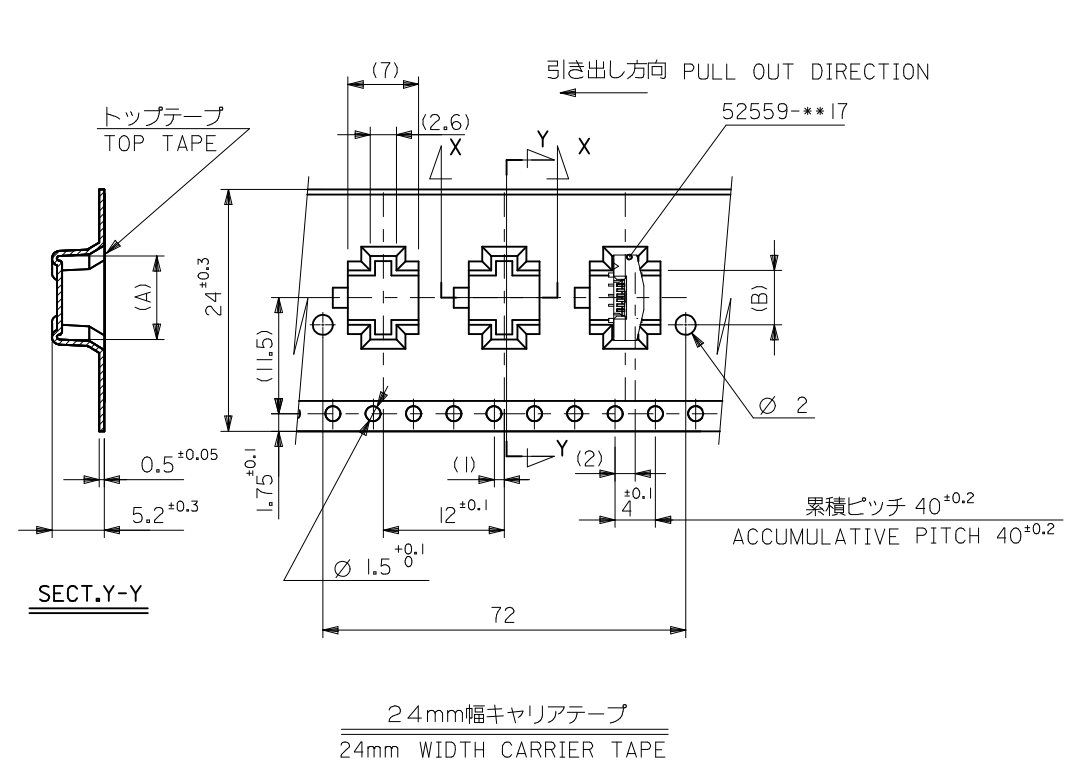
- トップテープの剥離強度：(剥離方向は下図参照)  
 0.1N~0.7N(10.2gf~71.4gf)尚、本規格値は、出荷時に適用。  
 (但し、輸送時に剥離が発生しない事。)  
 PEELING OFF FORCE OF TOP TAPE  
 0.1N~0.7N(10.2gf~71.4gf)XPEELING DIRECTION AS SHOWN IN FOLLOWING FIG.)  
 THIS REQUIREMENT SHOULD BE APPLIED AT SHIPMENT  
 PEEL OFF SHOULD NOT BE ALLOWED,  
 DURING TRANSPORTATION



DETAIL "F"

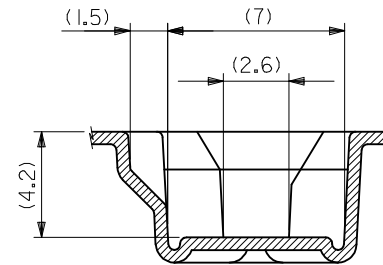
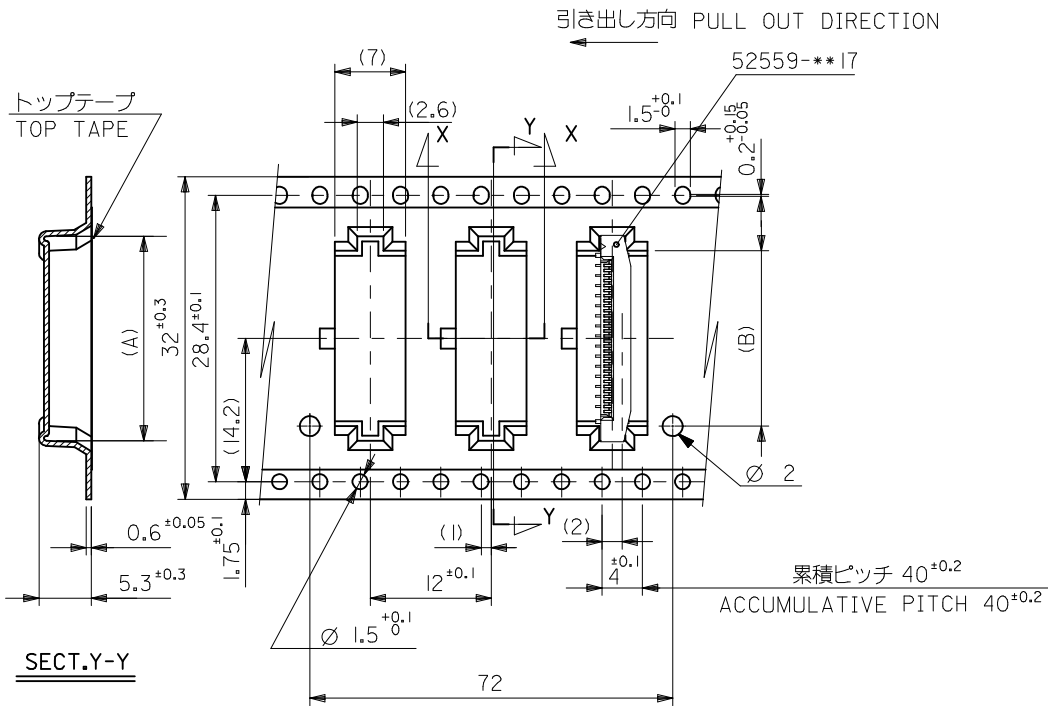
5. 材料  
 キャリアテープ:ポリプロピレン (PP)  
 トップテープ:PET, PE, PEF  
 リール:ポリスチレン (PS) <リサイクル材を含む>  
 MATERIAL CARRIER TAPE:POLYPROPYLENE  
 TOP TAPE:PET,PE,PEF  
 REEL:POLYSTYREN(PS)  
 <RECYCLE MATERIAL CONTAINED>

REVISED EC NO: J2013-1524 DRWN:YOSHII 2013/06/14 CHKD:YOSHII 2013/06/14 APPR:YNOGAWA 2013/07/11	GENERAL TOLERANCES (UNLESS SPECIFIED)		DIMENSION STYLE MM ONLY		SCALE ---	DESIGN UNITS METRIC	THIRD ANGLE PROJECTION
	10 UNDER	±0.3	DRAWN BY M.SHIMIZU	DATE 2000/12/20	TITLE 0.5 FPC CONN ASSY ZIF SMT ST EMBSTP PKG		
	10 OVER 30 UNDER	±0.25	CHECKED BY S.KUNISHI	DATE 2000/12/20			
	30 OVER	±0.2	APPROVED BY M.FUKUSHIMA	DATE 2000/12/20			
ANGULAR	±3 °	MATERIAL NO. SEE NOTES		DOCUMENT NO. SD-52559-054	SHEET NO. 1 OF 4		
DRAFT WHERE APPLICABLE MUST REMAIN WITHIN DIMENSIONS		SIZE A3	THIS DRAWING CONTAINS INFORMATION THAT IS PROPRIETARY TO MOLEX INCORPORATED AND SHOULD NOT BE USED WITHOUT WRITTEN PERMISSION				



24	25.5	14.4	17.3	52559-2492	24
		12.4	15.3	52559-2092	20
		9.4	12.3	52559-1492	14
		8.4	11.3	52559-1292	12
		7.4	10.3	52559-1092	10
		5.4	8.3	52559-0692	6
キャリアテープ幅 CARRIER TAPE WIDTH	C	(B)	(A)	ENG. NO.	極数 CIRCUIT

REVISED EC NO: J2013-1524 DRWN:AYOSHI 01 2013/06/14 CHKD:YKOBAYASHI 02 2013/06/14 APPR:YNOGAWA 2013/07/11	GENERAL TOLERANCES (UNLESS SPECIFIED)		DIMENSION STYLE <b>MM ONLY</b>		SCALE ---	DESIGN UNITS <b>METRIC</b>	THIRD ANGLE PROJECTION		
	10 UNDER	±0.3	DRAWN BY M.SHIMIZU	DATE 2000/12/20	TITLE <b>0.5 FPC CONN ASSY ZIF SMT ST EMBSTP PKG</b>				
	10 OVER 30 UNDER	±0.25	CHECKED BY S.KUNISHI	DATE 2000/12/20					
	30 OVER	±0.2	APPROVED BY M.FUKUSHIMA	DATE 2000/12/20					
	ANGULAR ±3 °		MATERIAL NO.		DOCUMENT NO.		SHEET NO.		
DRAFT WHERE APPLICABLE MUST REMAIN WITHIN DIMENSIONS		SEE NOTES		SD-52559-054		2 OF 4			
		SIZE A3		THIS DRAWING CONTAINS INFORMATION THAT IS PROPRIETARY TO MOLEX INCORPORATED AND SHOULD NOT BE USED WITHOUT WRITTEN PERMISSION					



SECT.X-X

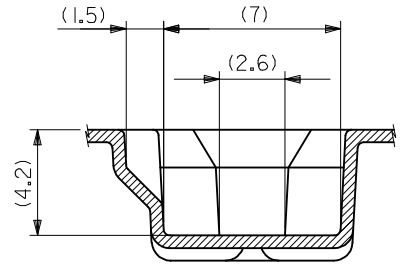
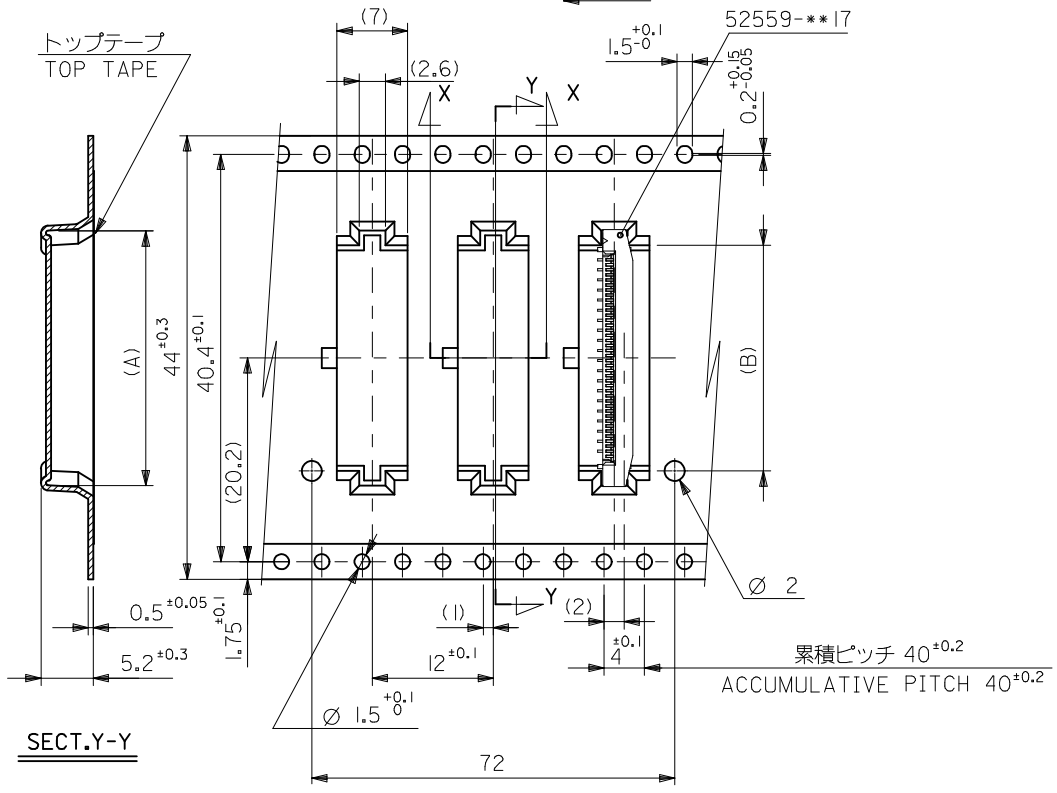
SECT.Y-Y

32mm幅キャリアテープ  
32mm WIDTH CARRIER TAPE

32	33.5	17.4	20.3	52559-3092	30
キャリアテープ幅 CARRIER TAPE WIDTH	C	(B)	(A)	ENG. NO.	極数 CIRCUIT

REVISED EC NO: J2013-1524 DRWN: AYOSHI   01 2013/06/14 CHKD: YKOBAYASHI   02 2013/06/14 APPR: YNOGAWA   2013/07/11	GENERAL TOLERANCES (UNLESS SPECIFIED)		DIMENSION STYLE	SCALE	DESIGN UNITS	THIRD ANGLE PROJECTION
			MM ONLY	---	METRIC	
	DESCRIPTION	10 UNDER	±0.3	DRAWN BY	DATE	TITLE
	REV	10 OVER 30 UNDER	±0.25	M. SHIMIZU	2000/12/20	0.5 FPC CONN ASSY ZIF SMT ST EMBSTP PKG
	30 OVER	±0.2	S. KUNISHI	2000/12/20		
	ANGULAR	±3 °	APPROVED BY	DATE	<b>molex</b> SD-52559-054	
	DRAFT WHERE APPLICABLE MUST REMAIN WITHIN DIMENSIONS		M. FUKUSHIMA	2000/12/20		
			MATERIAL NO.	DOCUMENT NO.	SHEET NO.	
			SEE NOTES		3 OF 4	
			SIZE A3	THIS DRAWING CONTAINS INFORMATION THAT IS PROPRIETARY TO MOLEX INCORPORATED AND SHOULD NOT BE USED WITHOUT WRITTEN PERMISSION		

引き出し方向 PULL OUT DIRECTION



SECT.X-X

44mm幅キャリアテープ  
44mm WIDTH CARRIER TAPE

44	45.5	22.4	25.3	52559-4092	40
キャリアテープ幅 CARRIER TAPE WIDTH	C	(B)	(A)	ENG. NO.	極致 CIRCUIT

REVISED EC NO: J2013-1524 DRWN:AYOSHI 101 2013/06/14 CHKD:YKOBAYASHI 02 2013/06/14 APPR:YNOGAWA 2013/07/11	GENERAL TOLERANCES (UNLESS SPECIFIED)	
	10 UNDER	±0.3
	10 OVER 30 UNDER	±0.25
	30 OVER	±0.2
	ANGULAR	±3 °
DRAFT WHERE APPLICABLE MUST REMAIN WITHIN DIMENSIONS		

DIMENSION STYLE MM ONLY	SCALE ---	DESIGN UNITS METRIC	THIRD ANGLE PROJECTION
DRAWN BY M. SHIMIZU	DATE 2000/12/20	TITLE 0.5 FPC CONN ASSY ZIF SMT ST EMBSTP PKG	
CHECKED BY S. KUNISHI	DATE 2000/12/20	<b>molex</b>	
APPROVED BY M. FUKUSHIMA	DATE 2000/12/20		
MATERIAL NO. SEE SHEET	DOCUMENT NO. SD-52559-054	SHEET NO. 4 OF 4	
SIZE A3 THIS DRAWING CONTAINS INFORMATION THAT IS PROPRIETARY TO MOLEX INCORPORATED AND SHOULD NOT BE USED WITHOUT WRITTEN PERMISSION			