

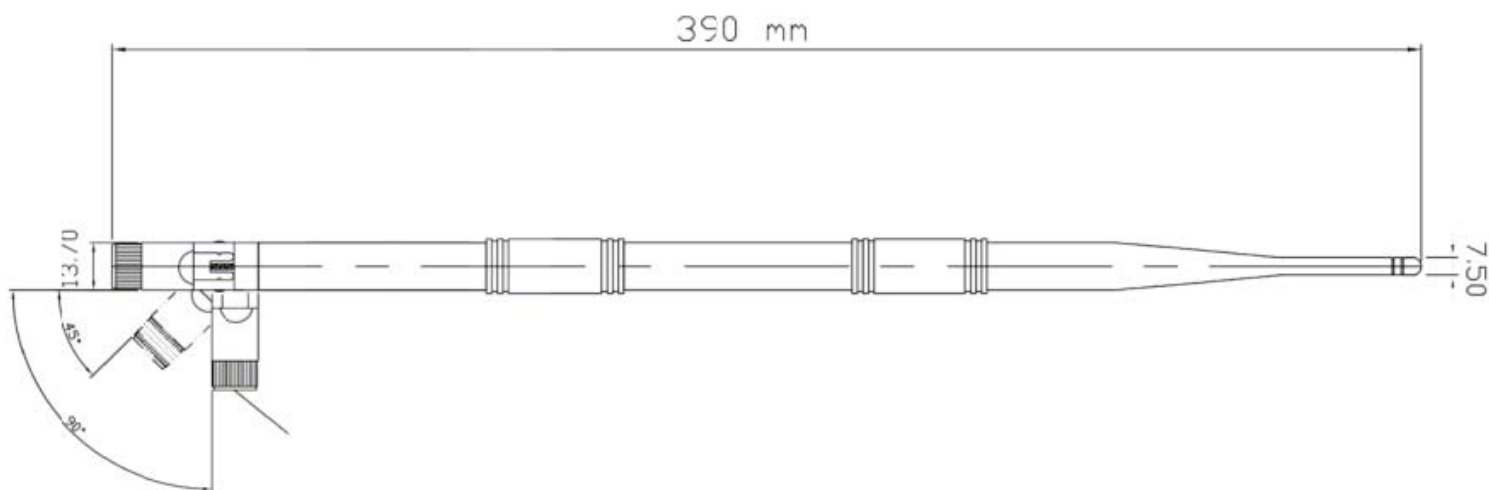


## 2.4G DIPOLE 9DBI ANTENNA FOR SMA MALE REVERSE POLARITY

Part Number: LM254

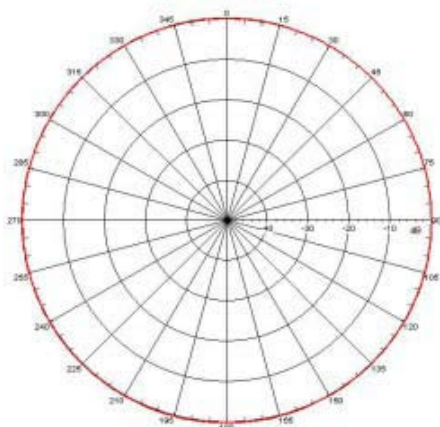


|                |                               |
|----------------|-------------------------------|
| Type:          | Dipole                        |
| Frequency:     | 2400~2500MHz                  |
| Gain:          | 9Dbi                          |
| Polarization:  | Linear Vertical               |
| SWR:           | ≤1.5:1                        |
| Impedance:     | 50 Ω                          |
| Base           |                               |
| Connector:     | SMA Male Reverse Polarity     |
| Weight:        | 60g                           |
| Size:          | H 390mm × W 13.7mm × D 13.7mm |
| Certification: | RoHS                          |

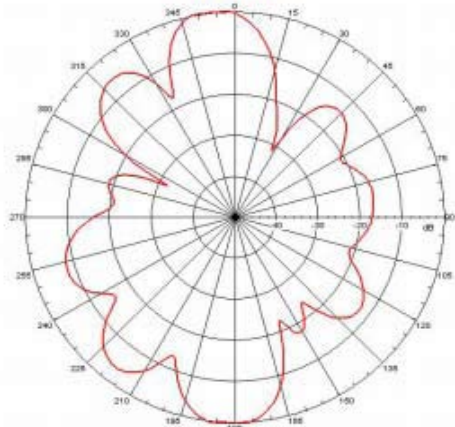


ANTENNA CONNECTOR: SMA PLUG RP (Option)

H-PLANE



E-PLANE



### Contact



LM Technologies Ltd  
 Unit 19 Spectrum House  
 32-34 Gordon House Road  
 London  
 NW5 1LP, UK.  
 Tel : +44 (0) 207 428 2647  
 Fax: +44 (0) 870 112 7636



## 2.4G DIPOLE 9DBI ANTENNA FOR SMA MALE REVERSE POLARITY

Part Number: LM254

