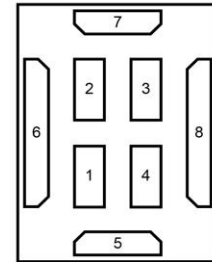
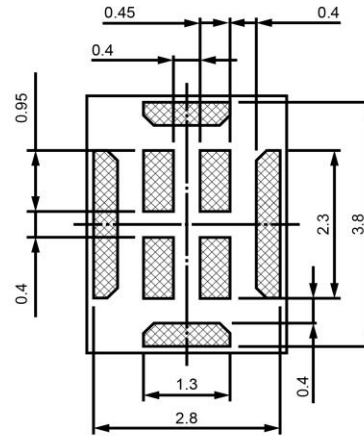
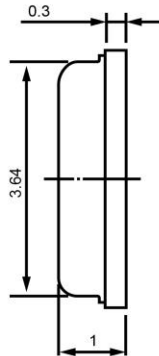
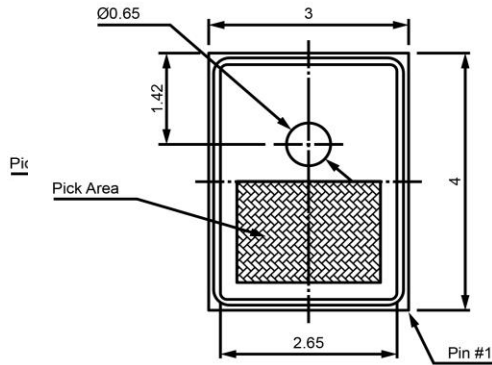



TOP VIEW

SIDE VIEW

BOTTOM VIEW (1)

BOTTOM VIEW (2)



Specifications			Notes	Revision History					
Description	Value	Unit		Version	Description		Date	Approved	
Directivity	Omnidirectional		1) All dimensions are in mm unless otherwise noted 2) All parts meet RoHS  DB UNLIMITED	1	Released from Engineering		2/10/2014	J.S.	
Technology	MEMS								
Sensitivity	-26	(dB)							
Frequency Range	70 ~ 16,000	(Hz)							
Rated Voltage	2.0	(V)							
Connection Method	Surface Mount Pads								
Voltage Range	1.6 ~ 3.6	(V)							
Max Rated Current (Operation Mode)	0.85	(mA)							
Rated Current (Sleep Mode)	0.55	(mA)							
Min. Signal to Noise Ratio	55	(dB)							
Total Harmonic Distortion @ 100dB	1	%							
Total Harmonic Distortion @ 115dB	10	%							
				Digital MEMS Microphone		MM042602-2			
				Drawn by	Date	Checked by	Date	Approved by	Date
				G.W.	2/1/2014	C.E.	2/2/2014	J.S.	2/10/2014