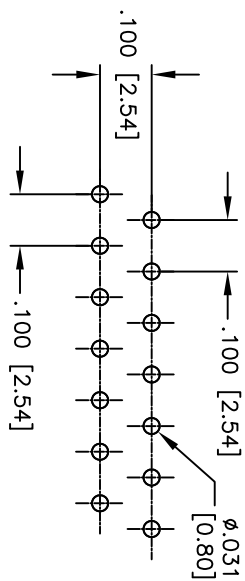
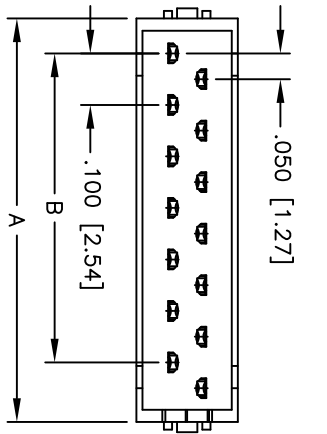


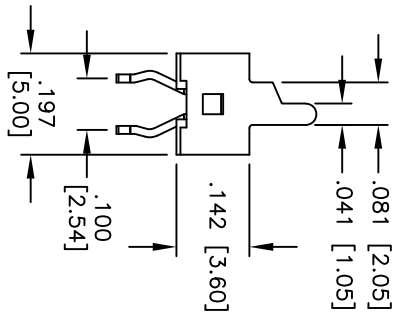
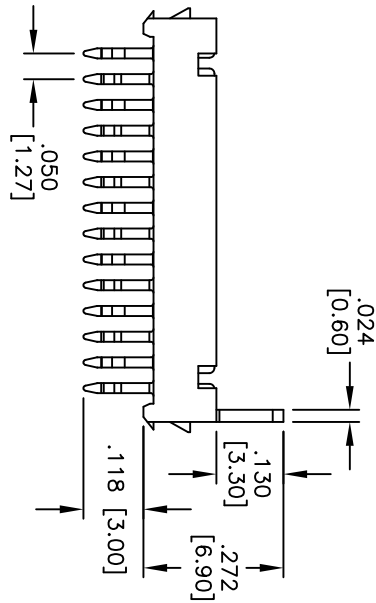
Rev	AWO #	Description	Date	Appr
-		RELEASED	3/11/10	

APPROVED: \_\_\_\_\_

DATE: \_\_\_\_\_ TITLE: \_\_\_\_\_



RECOMMENDED PCB LAYOUT



**SPECIFICATIONS:**

- Material: Polyester, rated UL 94V-0
- Insulator color: Red
- Contacts: Phosphor Bronze
- Plating: Tin over Copper underplate overall
- Electrical:
  - Voltage rating: 30V AC/DC
  - Current rating: 1A AC/DC
  - Contact resistance: 20 mohms max.
  - Insulation resistance: 1,000 Mohms min.
  - Dielectric withstanding: 500V AC for 1 minute
  - Temperature Rating: Operating temperature: -40°C to +105°C
- Environmental: Lead free, RoHS compliant
- Recommended soldering temp: 235°C for 5 seconds



Positions: 2 thru 13 per row  
 A = .100 [2.54] x No. of Spaces + .183 [4.66]  
 B = .100 [2.54] x No. of Spaces

UNLESS OTHERWISE SPECIFIED  
 ALL DIMENSIONS ARE IN INCHES [MM]  
 TOLERANCES: EXCEPT AS NOTED  
 INCHES Holes  
 .X ± .10 ØXX ± .10  
 .XX ± .020 ØXXX ± .015  
 .XXX ± .015 ØXXXX ± .010

**ADAM TECH**  
 909 Rahway Avenue, Union, NJ 07083  
 Phone: 908-687-5000 Fax: 908-687-5710  
 TITLE: STRAIGHT, PCB TYPE, TIN PLATED  
 .100 [2.54] MIN FLEX CONNECTOR MALE,

DRAWN	DY	3/11/10
CHECKED		
APPROVED		

SIZE	PART NO.	REV.
X	MPH-XX-V-T	
REF:	S00068T	SHEET 1 OF 1

6 5 4 3 2 1