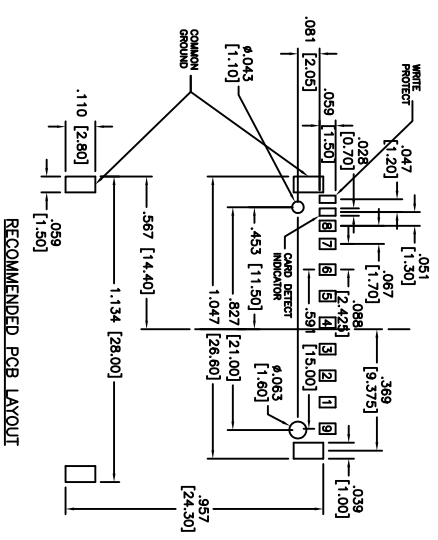
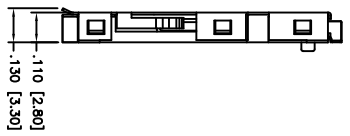
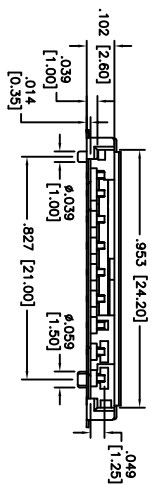
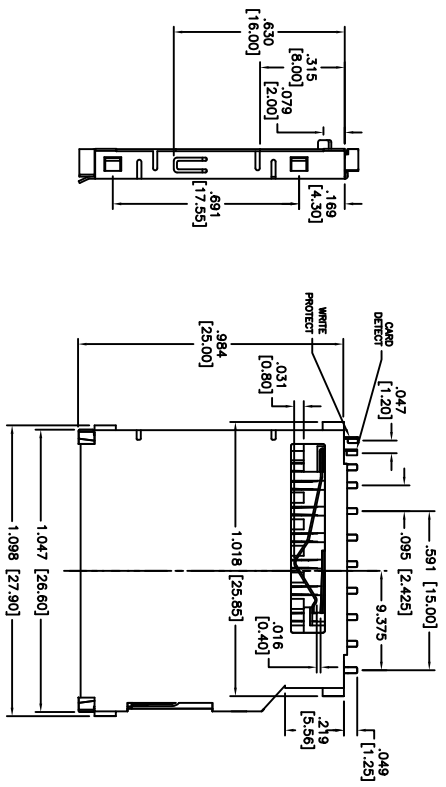
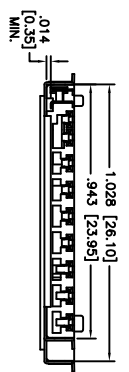
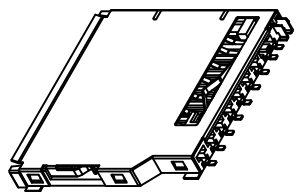


APPROVED: _____
 DATE: _____ TITLE: _____

Rev	AWO #	Description	Date	Appr
-		RELEASED	2/16/06	
A		REDRAWN	10/16/09	



PIN #	NAME
1	CD / DAT3
2	CMD
3	VSS1
4	VDD
5	CLK
6	VSS2
7	DAT10
8	DAT1
9	DAT2



SPECIFICATIONS:

- Material: Insulator: Thermal Plastic, rated UL 94V-0
- Insulator color: Natural
- Contacts: Copper Alloy
- Plating: Gold Flash over Nickel underplate on contact area, Tin over Copper underplate on SMT tails
- Electrical: Current rating: 1 Amp max, Contact resistance: 100 mohms, Insulation resistance: 1000 Mohms min
- Mechanical: Mating Cycle: 10000 Cycles, Temperature Rating: Operating temperature: -40°C to +85°C
- Environmental: Lead free, RoHS compliant.
- Recommended soldering temp: 260°C for 5 sec.



UNLESS OTHERWISE SPECIFIED
 ALL DIMENSIONS ARE INCHES [MM]
 TOLERANCES: EXCEPT AS NOTED
 INCHES HOLES
 X ± .10 ØX ± .10
 XX ± .020 ØXX ± .015
 XXX ± .015 ØXXX ± .010

ADAM TECH
 909 Ratway Avenue, Union, NJ 07083
 Phone: 908-687-5000 Fax: 908-687-5710
SECURE DIGITAL SOCKET, 9 PIN
 NO STANDOFFS

APPROVALS	DATE	SIZE	PART NO.	SCALE	SHEET	REV.
DRAWN	SS	2/16/06	SDM-09-A-SG-0	NTS	1 OF 1	A
CHECKED						
APPROVED						