

9162 SIM Connector with Locking Latch



GENERAL DESCRIPTION

For 9162 Slide-IN & 9162 SIM/microSD

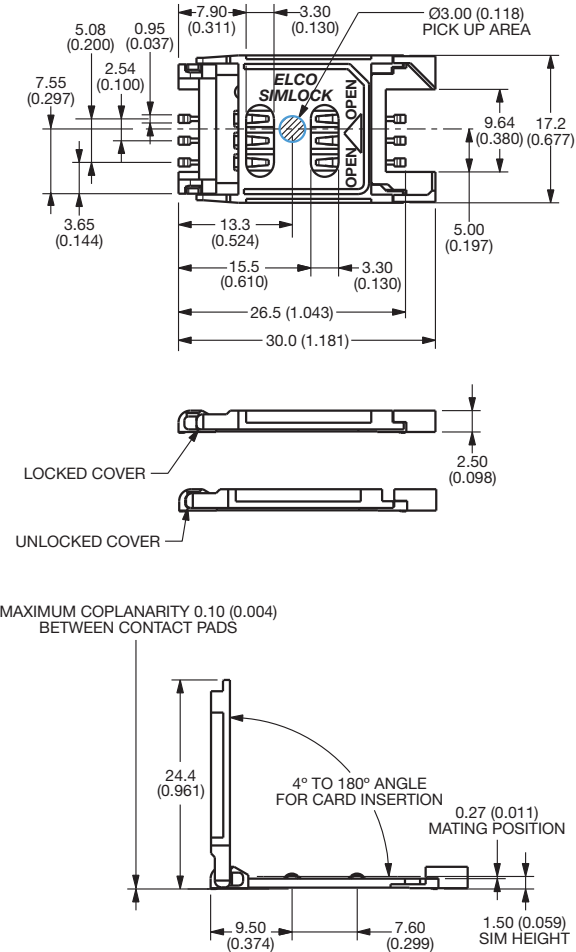
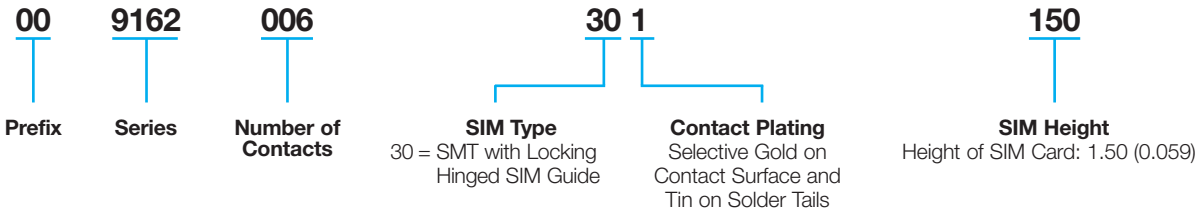
- Accepts GSM Standard 11.11 cards
- Secure locking latch mechanism
- Robust, good resistance against shock and vibration
- SIM Installed Height – 1.50mm
- Polarized to eliminate improper insertion of the card

KEY FEATURES AND BENEFITS

- SMT with locking hinged guide
- 2.50mm connector height
- Selective gold on mating surface/tin on solder tails
- Tape and reel packaging



HOW TO ORDER



Suggested PCB Layout

