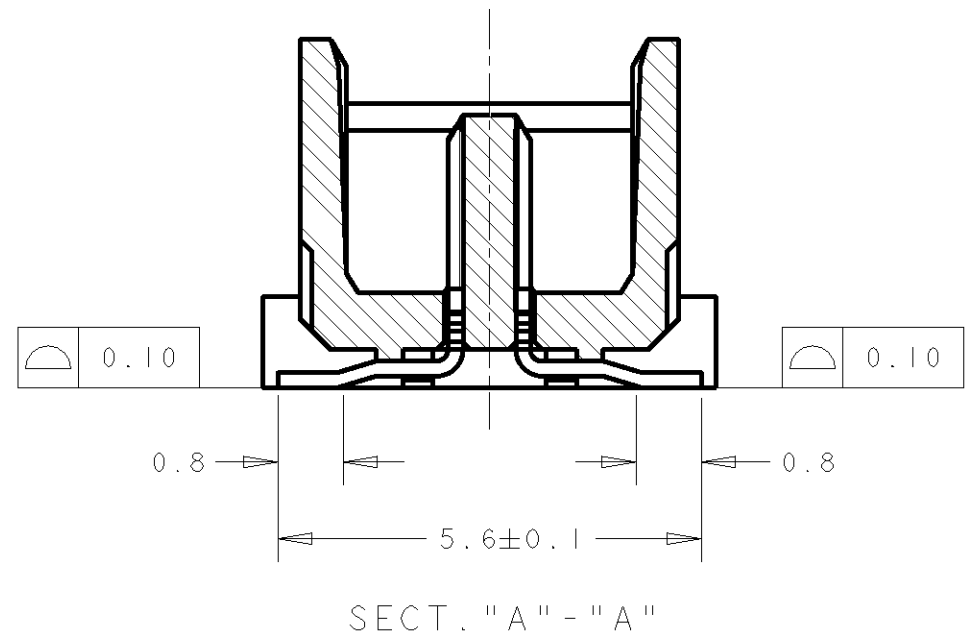
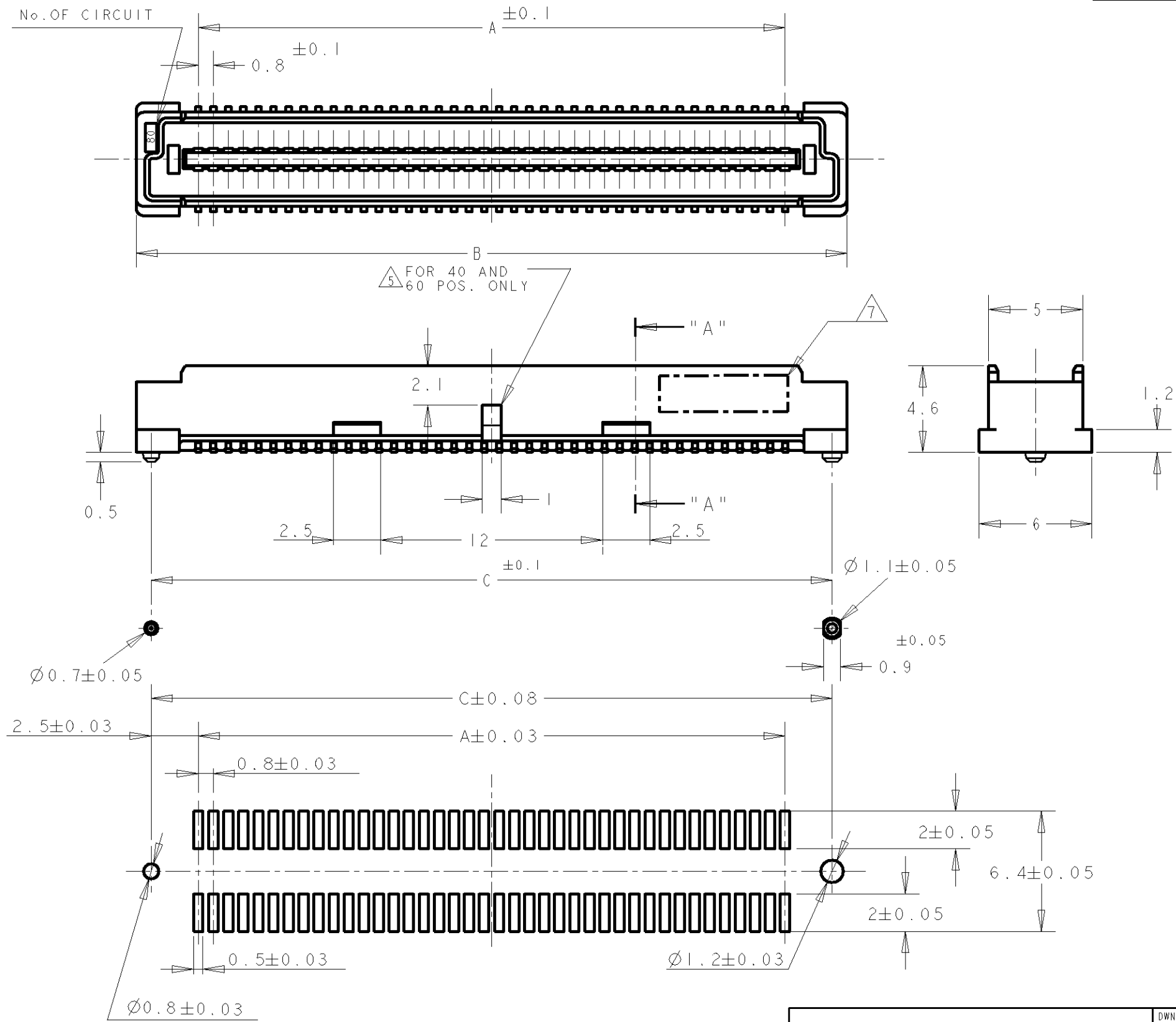


LOC	DIST	REVISIONS			
P	LTR	DESCRIPTION	DATE	DWN	APVD
DY	-	A2 REVISED PER ECO-11-005139	19MAR11	RK	HMR



- NOTES:
- 1 MATERIAL: HOUSING: L.C.P. (HIGH TEMP THERMO PLASTIC)
UL 94V-0, NATURAL.
CONTACT: BRASS.
 - 2 FINISH: UNDERPLATE: 0.0013 MIN NICKEL ALL OVER.
ENGAGEMENT AREA: 0.0002 MIN GOLD.
SOLDERING AREA: 0.002 MIN MATTE-TIN.
 - 3. POSITION SERIES: SEE TABLE.
 - 4. CONN STACK HEIGHT COMBINE OF PLUG "Y" H VS REC "X" H.
STACK HEIGHT = Y + X - 5
 - 5 CUTOUT FEATURE AVAILABLE ONLY ON P/N -1 (40P)
AND -2 (60P).
 - 6 FINISH: UNDERPLATE: 0.0013 MIN NICKEL ALL OVER.
ENGAGEMENT AREA: 0.00038 MIN GOLD.
SOLDERING AREA: 0.002 MIN MATTE-TIN.
 - 7 DATECODE MARKING.

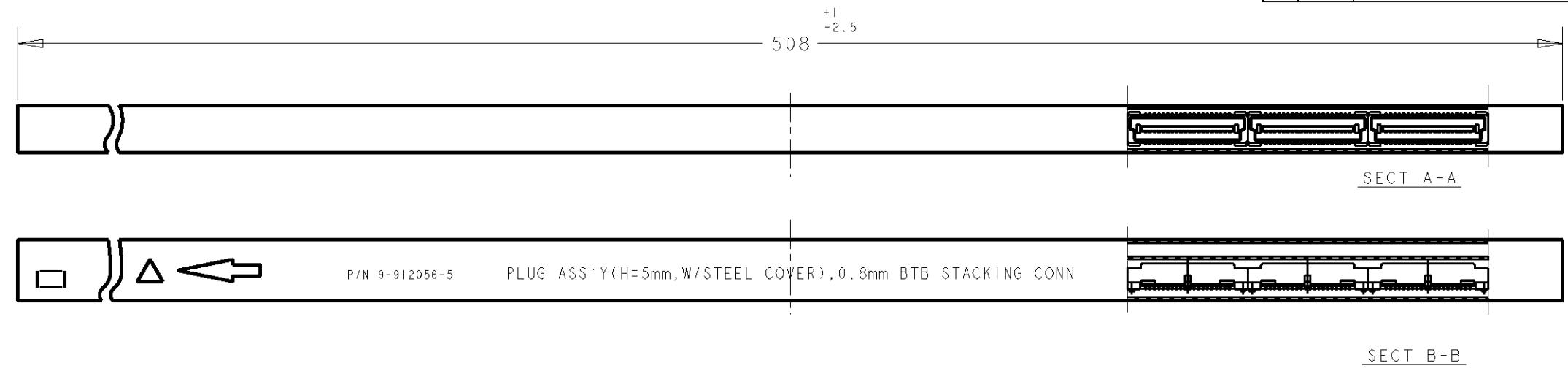
P/N SEE SHEET 2 OF 2.

RECOMMENDED P.C. BOARD LAYOUT

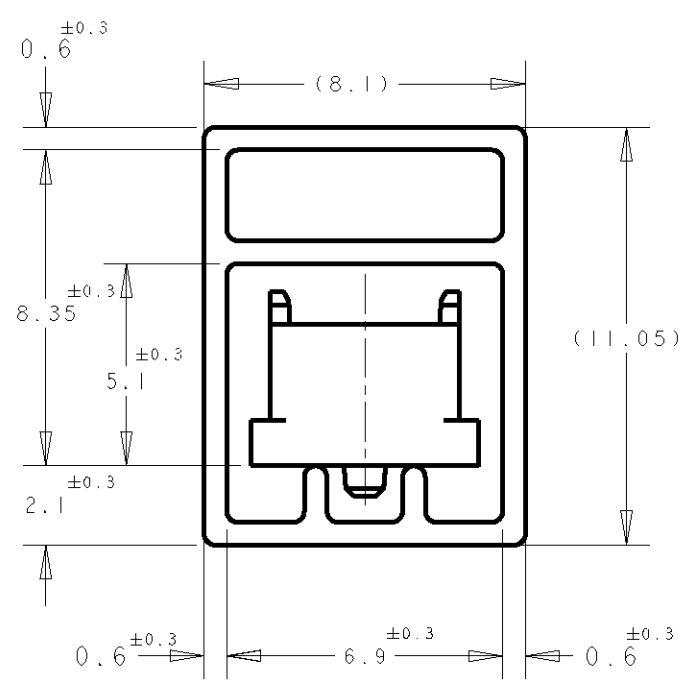
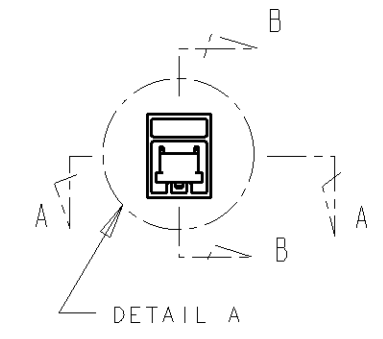
DWN 30AUG04 FLORENCE TAN			
CHK ERIC TNG			
APVD SF FONG		NAME PLUG ASSEMBLY 5H TYPE (0.5 BOSS LENGTH) FOR FH 0.8mm PITCH B-T-B CONNECTOR	
PRODUCT SPEC 108-5390		SIZE A3	CAGE CODE 00779
APPLICATION SPEC 114-5254		DRAWING NO C-5177984	
MATERIAL		WEIGHT -	SCALE 4:1
FINISH SEE TABLE P/N		SHEET 1 OF 2	
DIMENSIONS: mm		REV A2	
TOLERANCES UNLESS OTHERWISE SPECIFIED:		CUSTOMER DRAWING	
0 PLC ±			
1 PLC ±0.30			
2 PLC ±0.25			
3 PLC ±0.20			
4 PLC ±			
ANGLES ±3°			

THIS DRAWING IS UNPUBLISHED. RELEASED FOR PUBLICATION .19 .
 © COPYRIGHT - BY - ALL RIGHTS RESERVED.

LOC	DIST	REVISIONS			
P	LTR	DESCRIPTION	DATE	DWN	APVD
DY	-	- SEE SHEET 1 OF 2	-	-	-



REFERENCE PICTURE OF TUBE PACK



DETAIL A

FINISH	QTY/TUBE	C	B	A	POS.	CONN P/N
15Au-Sn 6	5	84.2	85.8	79.2	200	3- -0
	6	76.2	77.8	71.2	180	2- -9
	6	68.2	69.8	63.2	160	2- -8
	7	60.2	61.8	55.2	140	2- -6
	9	52.2	53.8	47.2	120	2- -5
	10	44.2	45.8	39.2	100	2- -4
	12	36.2	37.8	31.2	80	2- -3
	16	28.2	29.8	23.2	60	2- -2
	22	20.2	21.8	15.2	40	2- -1
	08Au-Sn 2	5	84.2	85.8	79.2	200
6		76.2	77.8	71.2	180	- -9
6		68.2	69.8	63.2	160	- -8
7		60.2	61.8	55.2	140	- -6
9		52.2	53.8	47.2	120	- -5
10		44.2	45.8	39.2	100	- -4
12		36.2	37.8	31.2	80	- -3
16		28.2	29.8	23.2	60	- -2
22		20.2	21.8	15.2	40	5177984-1

DIMENSIONS: mm		TOLERANCES UNLESS OTHERWISE SPECIFIED:		DWN 30AUG04 FLORENCE TAN		STE TE Connectivity	
		0 PLC ±- 1 PLC ±0.30 2 PLC ±0.25 3 PLC ±0.20 4 PLC ±- ANGLES ±3°		CHK ERIC TNG			
MATERIAL △		FINISH SEE TABLE P/N		APVD SF JFONG		DRAWING NO C-5177984	
				PRODUCT SPEC 108-5390		SIZE A3	
				APPLICATION SPEC 114-5254		CAGE CODE 00779	
				WEIGHT -		SHEET 2 OF 2	
				CUSTOMER DRAWING		REV A2	