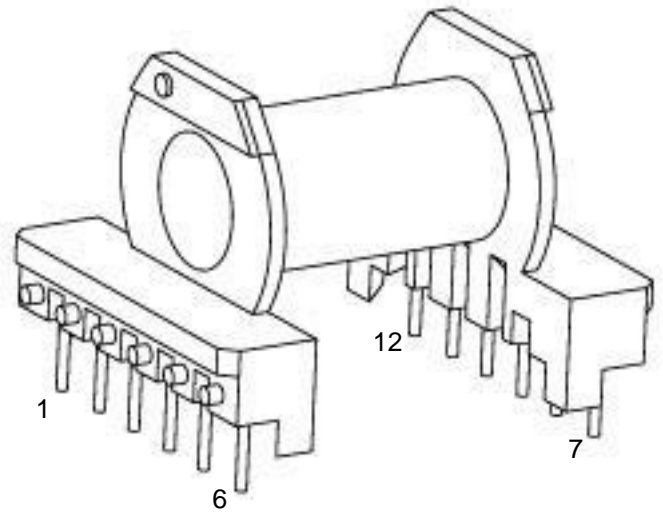
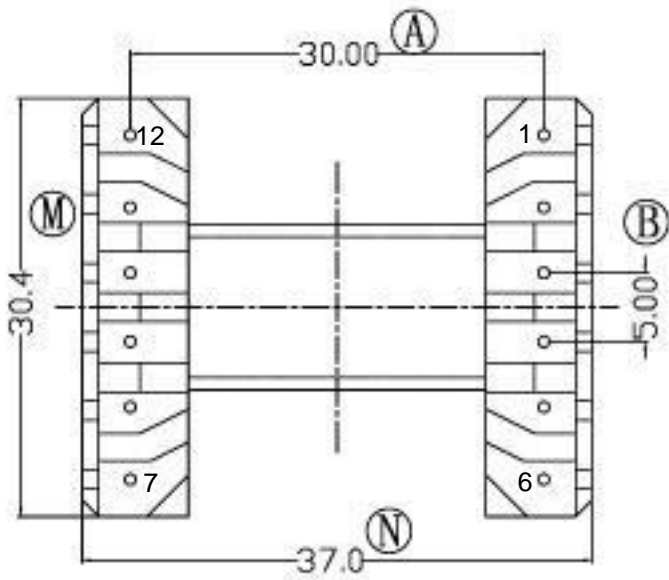
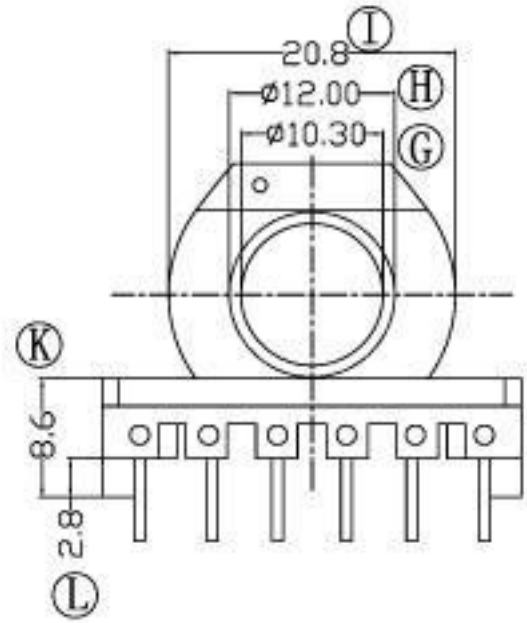
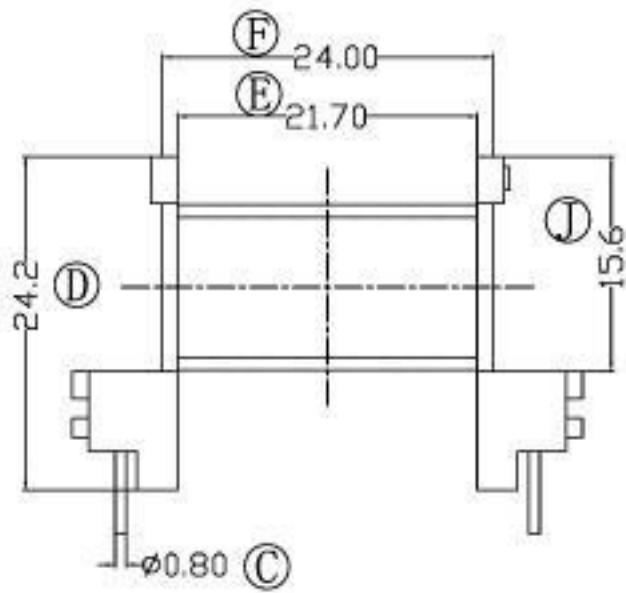
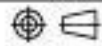


FERYSTER



TOLERANCE		MODEL NAME: ERL-28-K-H-12P	
X. X	± 0.3	BOBBIN MATERIAL: PHENOLIC	
X. XX	± 0.2	SCALE: 2:1	SCALE: UL 94V-0
壁厚:	± 0.15	 SCALE: M/M	
PIN PITCH	± 0.2		