



# ESP-125-T

## Quartz Restrike System

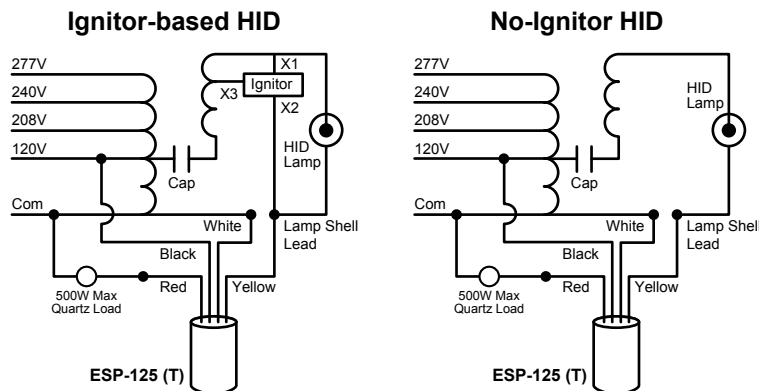
### Features

- For use with HPS or Metal Halide (probe-start or pulse start) magnetic ballasts with a 120V tap or input
- 50/60 Hz Operation
- Compact and simple to wire
- Measures the current drawn by the HID circuit rather than voltage across the circuit allowing use with virtually any type of lamp or ballast circuit
- Operates on HID circuits from 39-1500 watts
- Operates auxiliary lamps up to 500W
- Non-arcing switches allow the ESP-125-T to be used in Class 1, Division II vapor tight fixtures
- Can be wired directly to emergency generator power
- High temperature, flameproof plastic enclosure, 105°C maximum surface temp rating
- Timed Version (-T) keeps Quartz Lamp illuminated for 2-3 minutes until HID lamp reaches 25-50% brightness
- Patent Pending
- Not for use with F-can ballasts with ignitors

The ESP-125 is a traditional 120V control that incorporates a current sense circuit that automatically lights a quartz lamp when the main HID lamp is extinguished. It has a built-in timer to keep the quartz lamp on for 2-3 minutes during the HID lamp warm-up period.

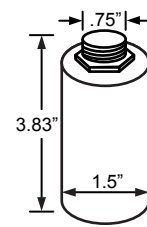


### Wiring



### Dimensions

12" leads, stripped 0.63"



Threaded Nipple:  
1/2"-NPS

★ **MADE IN USA** ★  
Of Imported And Domestic Components



Specifications subject to change without notice.

Rev 7-15-14