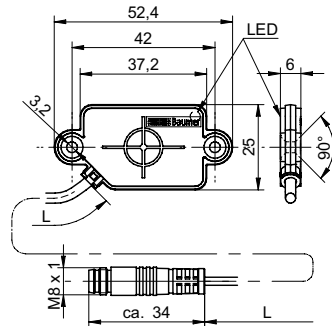


## Capacitive proximity sensors

## CFDK 25G1125/KS35LN3

## dimension drawing



## general data

nominal sensing distance $S_n$	4 mm
mounting type	flush
GND electrode	no
temperature drift	$\pm 15\%$
sensitivity adjustment	no
output indicator	LED red

## electrical data

voltage supply range $+V_s$	10 ... 30 VDC
current consumption max. (no load)	15 mA
output function	active high
output circuit	push-pull
output current	< 100 mA
voltage drop $V_d$	< 3 VDC
switching frequency	< 35 Hz
short circuit protection	yes
reverse polarity protection	yes

## mechanical data

type	rectangular
housing material	PA 12
dimension	25 mm
housing length	52,4 mm
depth	6 mm
connection types	flylead connector M8, L=200 mm

## ambient conditions

operating temperature	-25 ... +75 °C
protection class	IP 65

## field of application

detection of non-conductive media	no
fill level detection through container	yes
liquids in direct contact	no
object detection / bulk goods	no

## photo



## connection diagram

