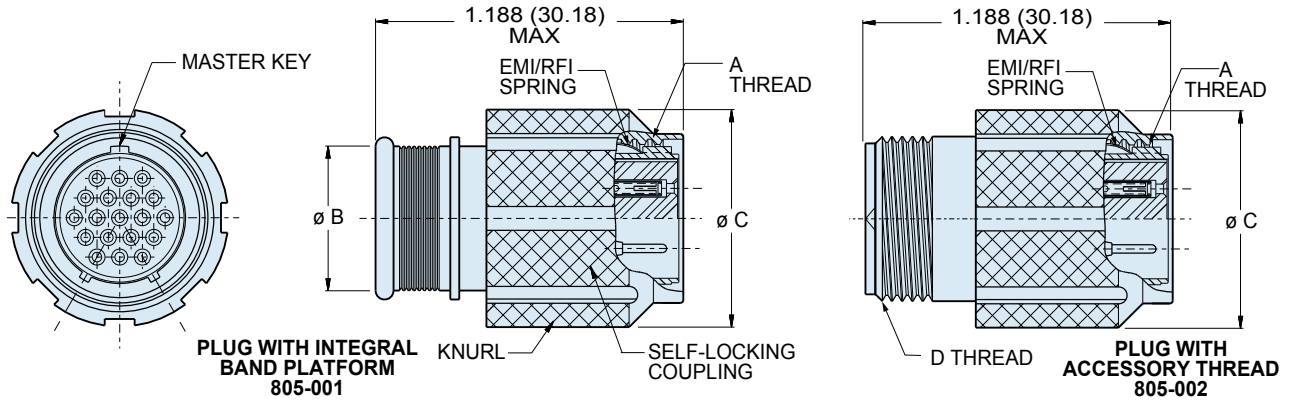


# Series 805 Mighty Mouse Triple-Start Plug

## 805-001-16 and 805-002-16 Dimensions



W

| Dimensions |                      |       |       |       |       |                        |
|------------|----------------------|-------|-------|-------|-------|------------------------|
| Shell Size | A Threads            | Ø B   |       | Ø C   |       | D Threads<br>Accessory |
|            |                      | In.   | mm.   | In.   | mm.   |                        |
| 8          | .5000-.1P-.3L-TS-2B  | .317  | 8.05  | .691  | 17.55 | .3750-32 UNEF-2A       |
| 9          | .5625-.1P-.3L-TS-2B  | .397  | 10.08 | .787  | 19.99 | .4375-28 UNEF-2A       |
| 10         | .6250-.1P-.3L-TS-2B  | .473  | 12.01 | .826  | 20.98 | .5000-28 UNEF-2A       |
| 11         | .6875-.1P-.3L-TS-2B  | .519  | 13.18 | .916  | 23.27 | .5625-24 UNEF-2A       |
| 12         | .7500-.1P-.3L-TS-2B  | .585  | 14.86 | .982  | 24.94 | .6250-24 UNEF-2A       |
| 15         | .9375-.1P-.3L-TS-2B  | .687  | 17.45 | 1.097 | 27.86 | .7500-20 UNEF-2A       |
| 18         | 1.1250-.1P-.3L-TS-2B | .884  | 22.45 | 1.290 | 32.77 | .9375-20 UNEF-2A       |
| 19         | 1.1875-.1P-.3L-TS-2B | .884  | 22.45 | 1.310 | 33.27 | .9375-20 UNEF-2A       |
| 23         | 1.4375-.1P-.3L-TS-2B | 1.135 | 28.83 | 1.562 | 39.67 | 1.1875-18 UNEF-2A      |

| Performance Specifications |  |
|----------------------------|--|
| DWV                        | 23 500 VAC Sea level, 20HD 750 VAC, 12 AND 16 1800 VAC |
| Insulation Resistance      | 5000 Megohms Minimum                                   |
| Operating Temperature      | -55° C. to +150° C.                                    |
| Immersion, Mated           | MIL-STD-810 Method 512. One Meter for One Hour.        |
| EMI                        | 65 dB Minimum from 1 GHz. to 10 GHz.                   |

| Materials and Finishes |   |
|------------------------|---|
| Connector Shell        | Aluminum or Stainless Steel                           |
| Insulator              | Liquid Crystal Polymer (LCP)                          |
| Seals                  | Fluorosilicone Rubber, Blue                           |
| Pin Contact            | Copper Alloy, Gold over Nickel Plating                |
| Socket Contact         | Copper Alloy, Gold over Nickel Plating, with SST Hood |
| Contact Retainer Clip  | Copper alloy, Unplated                                |

Dimensions in Inches (millimeters) are subject to change without notice.