



**PARA LIGHT ELECTRONICS CO., LTD.**

4F, No.1, Lane 93, Chien Yi Road, Chung Ho City, Taipei, Taiwan, R.O.C.

Tel: 886-2-2225-3733

Fax: 886-2-2225-4800

E-mail: [para@para.com.tw](mailto:para@para.com.tw)

<http://www.para.com.tw>

DATA SHEET

PART NO.: L-C192JGCT

REV: A/1

CUSTOMER'S APPROVAL : \_\_\_\_\_

DCC : \_\_\_\_\_

DRAWING NO. : DS-75-08-0012

DATE : 2013-04-23

PAGE 1 of 14

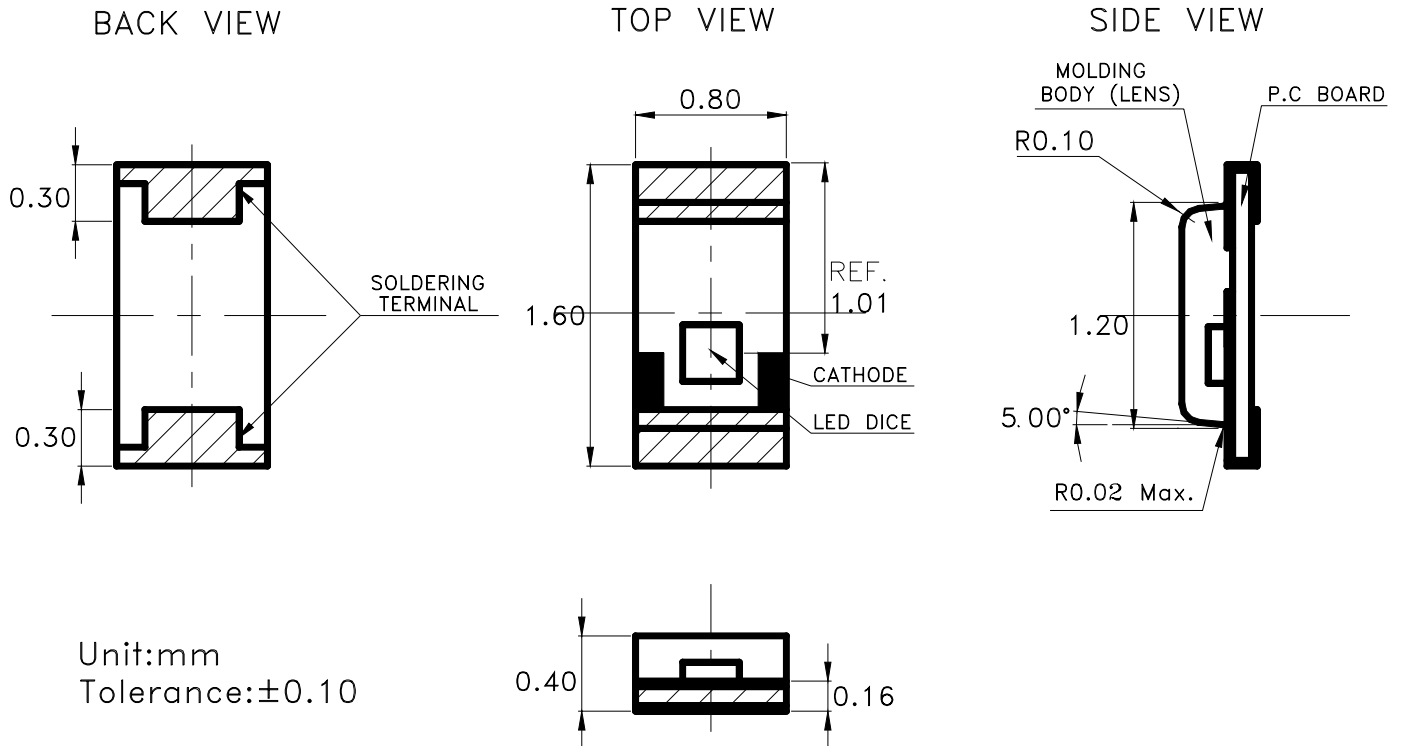


# SURFACE MOUNT DEVICE LED

Part No. : L-C192JGCT

REV: A/1

## ● PACKAGE OUTLINE DIMENSIONS



### Notes:

1. All dimensions are in millimeters.
2. Tolerance is  $\pm 0.1\text{mm}$  (.004") unless otherwise noted.

## ● Features

- \* Extra thin 0.4mm, Top view, Wide view angle, White color SMD chip LED .
- \* Special for Cellular Phone keypad / LCD backlighting or thin touch button LED backlighting.
- \* Packing in 8mm tape on 7" diameter reels.
- \* Compatible with automatic Pick & Place equipment.
- \* Compatible with Reflow soldering and Wave soldering processes.
- \* EIA STD package.(ANSI/EIA-481-B-2001)
- \* I.C. compatible, low current application
- \* Pb free product .
- \* Meet RoHS Green Product.



## SURFACE MOUNT DEVICE LED

Part No. : L-C192JGCT

REV: A/1

### ● CHIP MATERIALS

- \* Dice Material : AlInGaP
- \* Light Color : Super Green
- \* Lens Color : Water Clear

### ● Absolute Maximum Ratings(Ta=25 )

Symbol	Parameter	Rating	Unit
PD	Power Dissipation	60	mW
IPF	Peak Forward Current (1/10 Duty Cycle, 0.1ms Pulse Width)	60	mA
IF	Continuous Forward Current	25	mA
-	De-rating Linear From 25	0.25	mA/
VR	Reverse Voltage	5	V
ESD	Electrostatic Discharge Threshold(HBM)Note A	2000	V
Topr	Operating Temperature Range	-40 ~ +85	
Tstg	Storage Temperature Range	-40 ~ +85	

Note A :

HBM : Human Body Model. Seller gives no other assurances regarding the ability of to withstand ESD.

### ● Electro-Optical Characteristics(Ta=25 )

Parameter	Symbol	Min.	Typ.	Max.	Unit	Test Condition
Luminous Intensity	IV	18	30		mcd	IF=20mA
Viewing Angle	2 1/2		130		deg	Note 2
Peak Emission Wavelength	p		571		nm	Measurement @Peak
Dominant Wavelength	d		570		nm	IF=20mA
Spectral Line Half-Width			15		nm	
Forward Voltage	VF		2.05	2.3	V	IF =20mA
Reverse Current	IR			10	μ A	VR = 5V



**SURFACE MOUNT DEVICE LED**

Part No. : L-C192JGCT

REV: A/1

● Bin Code List

Luminous Intensity(IV), Unit:mcd@20mA		
Bin Code	Min	Max
M	18.0	28.0
N	28.0	45.0
P	45.0	71.0

Forward Voltage(VF), Unit:V@20mA		
Bin Code	Min	Max
4	1.90	2.00
5	2.00	2.10
6	2.10	2.20
7	2.20	2.30

Tolerance of each bin are  $\pm 15\%$

Tolerance of each bin are  $\pm 0.1$  Volt

Dominant Wavelength (Hue),Unit: nm@20mA		
Bin Code	Min	Max
GA	567.0	570.0
GB	570.0	573.0
GC	573	576

Including  $\pm 1$ nm test tolerance

Notes:

1. Luminous intensity is measured with a light sensor and filter combination that proximities the CIE eye-response curve.
2. 1/2 is the off-axis angle at which the luminous intensity is half the axial luminous intensity.
3. Caution in ESD :  
Static Electricity and surge damages the LED. It is recommended use a wrist band or anti-electrostatic glove when handling the LED. All devices, equipment and machinery must be properly grounded.
4. Major standard testing equipment by "Instrument System" Model : CAS140B Compact Array Spectrometer and "KEITHLEY" Source Meter Model : 2400.



# SURFACE MOUNT DEVICE LED

Part No. : L-C192JGCT

REV: A/1

## ● Typical Electro-Optical Characteristics Curves

(25 Ambient Temperature Unless Otherwise Noted)

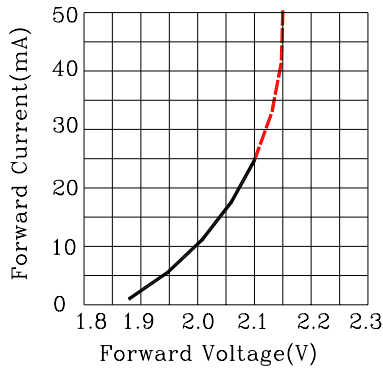


Fig.2 Forward Current vs.Forward Voltage

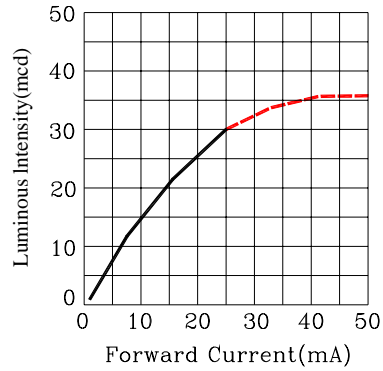


Fig.3 Luminous Intensity vs.Forward Current

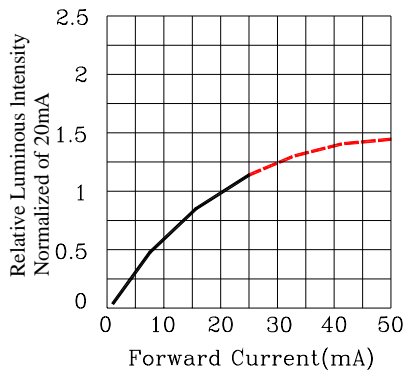


Fig.4 Relative Luminous Intensity vs.Forward Current

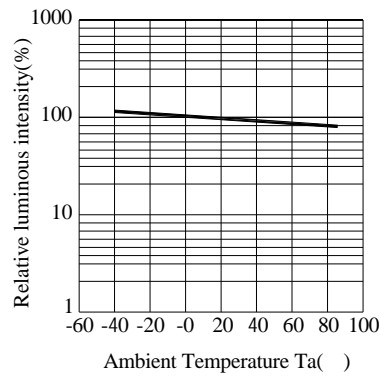


Fig.5 Luminous Intensity vs.Ambient Temperature

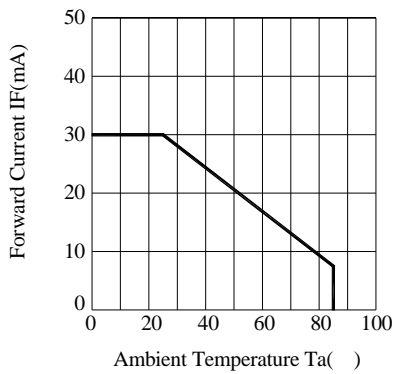


Fig.6 Forward Current Derating Curve

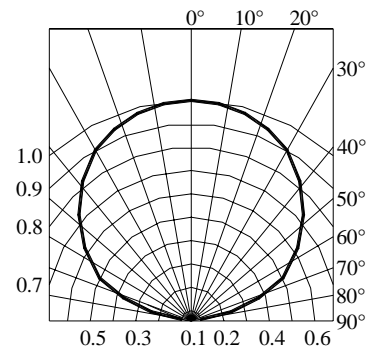


Fig.7 Relative Intensity vs.Angle



# SURFACE MOUNT DEVICE LED

Part No. : L-C192JGCT

REV: A/1

## ● Label Explanation



ITEM CODE:PARRALIGHT

PART NO: L-C192JGCT

IV --- Luminous Intensity Code

LOT NO:	<u>EM</u>	<u>S</u>	<u>L</u>	<u>12</u>	<u>09</u>	0110
	A	B	C	D	E	F

- A---EM: Emos Code
- B---S:SMD
- L---Local
- D---Year
- E---Month
- F---SPEC.

PACKING QUANTITY OF BAG :

- 3000pcs for 150、170、110、155、115 series
- 4000pcs for 191 series
- 5000pcs for 192 series

DATE CODE : 2012 09 10

G H I

- G--- Year
- H--- Month
- I --- Day

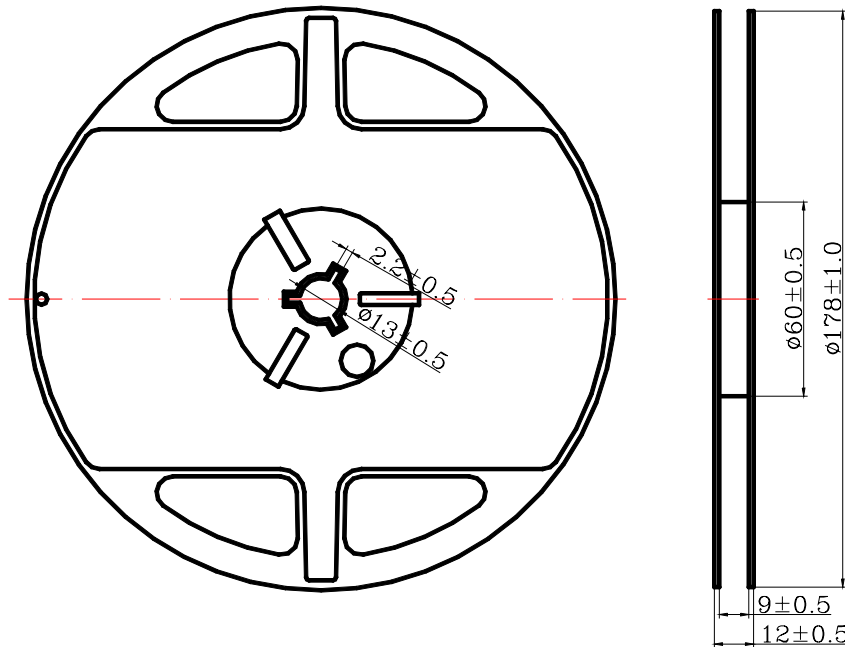


# SURFACE MOUNT DEVICE LED

Part No. : L-C192JGCT

REV: A/1

## ● Reel Dimensions



### Notes:

1. Taping Quantity : 3000pcs, (Minimum packing quantity will be 500 pcs for remainders)
2. The tolerances unless mentioned is  $\pm 0.1\text{mm}$ , Angle  $\pm 0.5^\circ$ , Unit : mm.

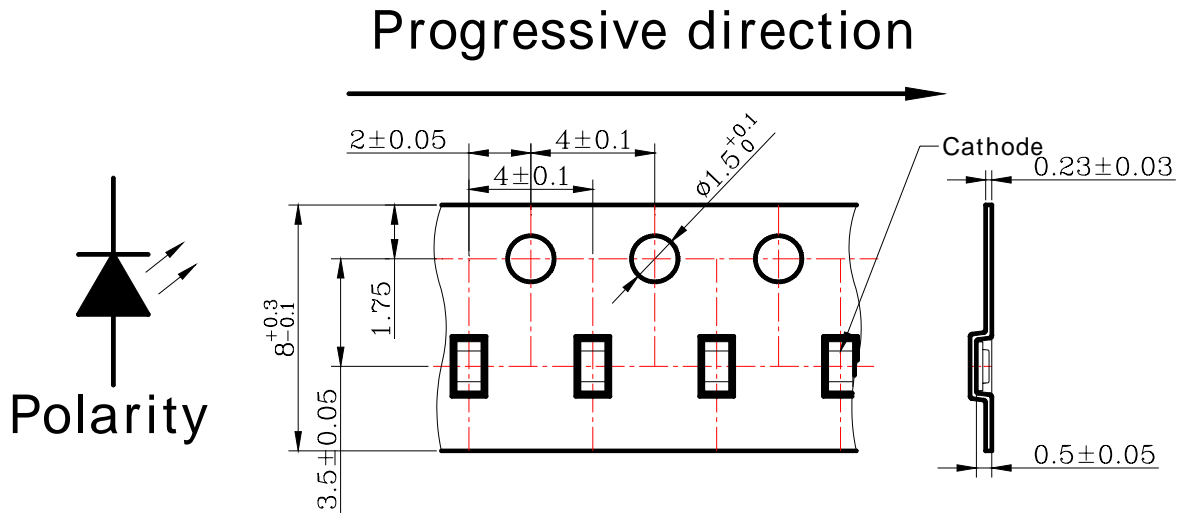


# SURFACE MOUNT DEVICE LED

Part No. : L-C192JGCT

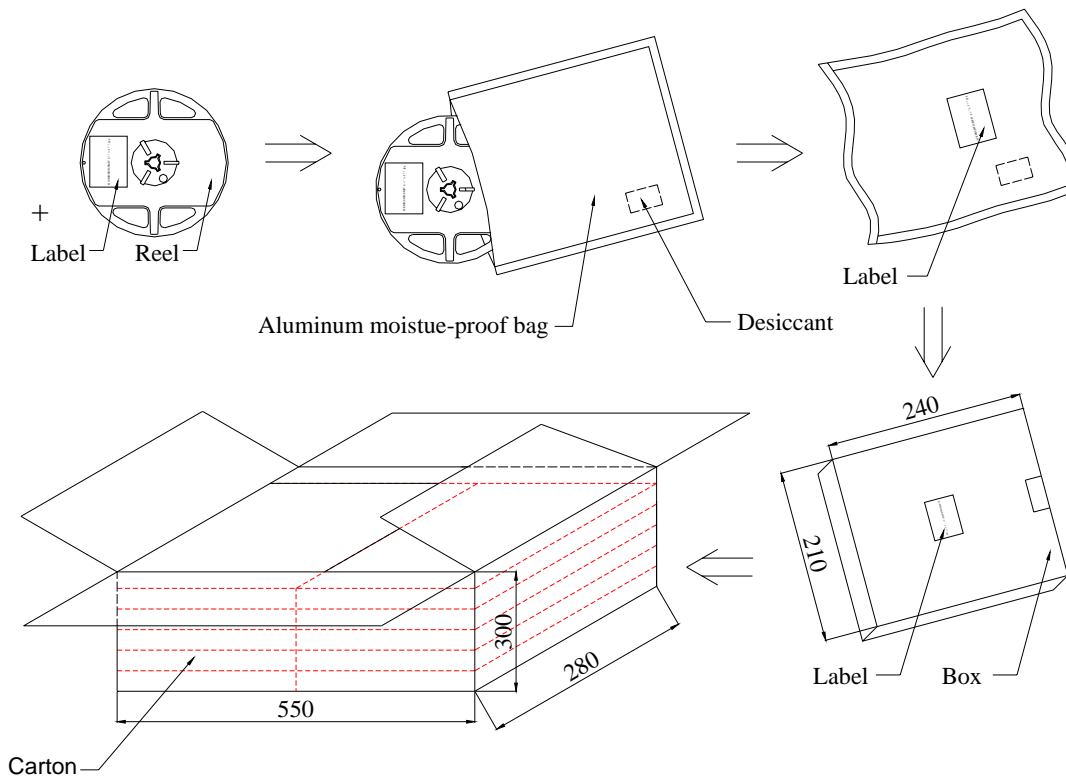
REV: A/1

## ● Package Dimensions Of Tape And Reel



Notes: All dimensions are in millimeters.

### Moisture Resistant Packaging



Notes : One reel in a bag, six bag in a inner box, six inner boxes in a carton. Unit : mm.





# SURFACE MOUNT DEVICE LED

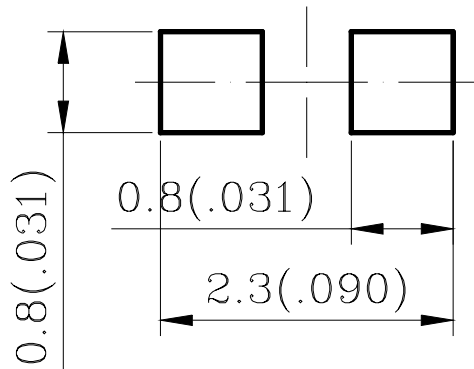
Part No. : L-C192JGCT

REV: A/1

## ● Cleaning

- \* If cleaning is required , use the following solutions for less than 1 minute and less than 40 .
- \* Appropriate chemicals: Ethyl alcohol and isopropyl alcohol.
- \* Effect of ultrasonic cleaning on the LED resin body differs depending on such factors as the oscillator output, size of PCB and LED mounting method. The use of ultrasonic cleaning should be enforced at proper output after confirming there is no problem.

## ● Suggest Soldering Pad Dimensions



Direction of PWB camber  
and go to reflow furnace

Notes : Suggest stencil print screen thickness are 0.10mm maximum.

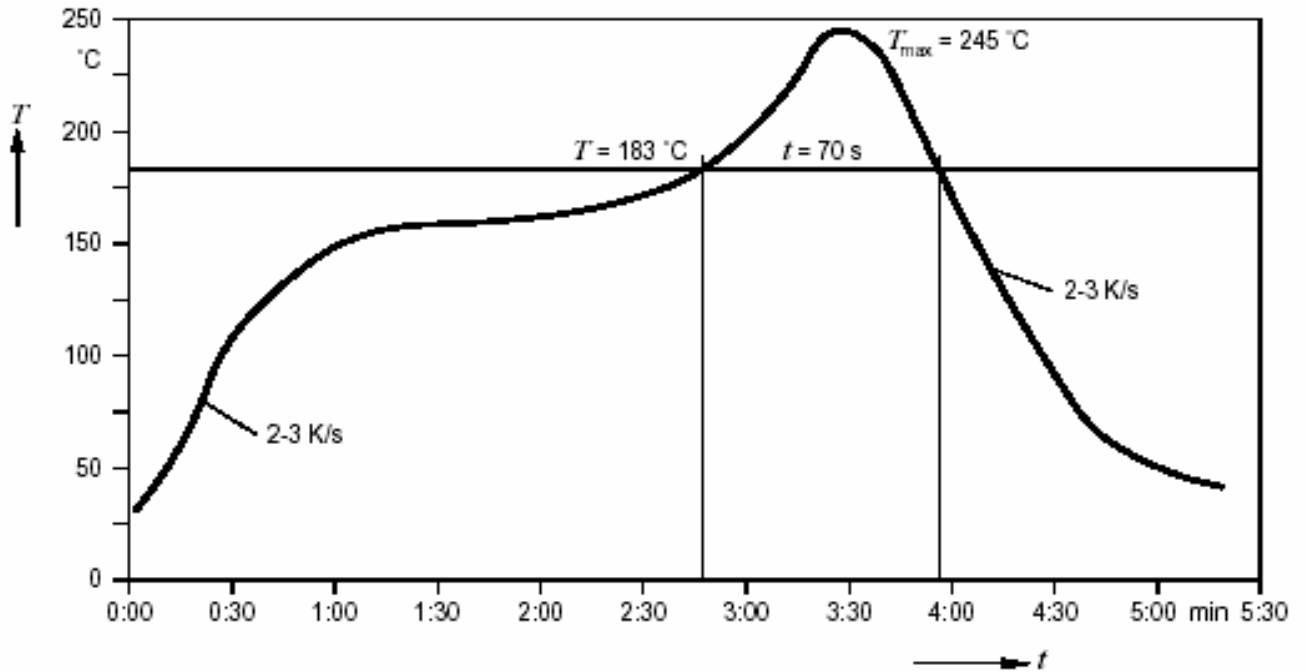


SURFACE MOUNT DEVICE LED

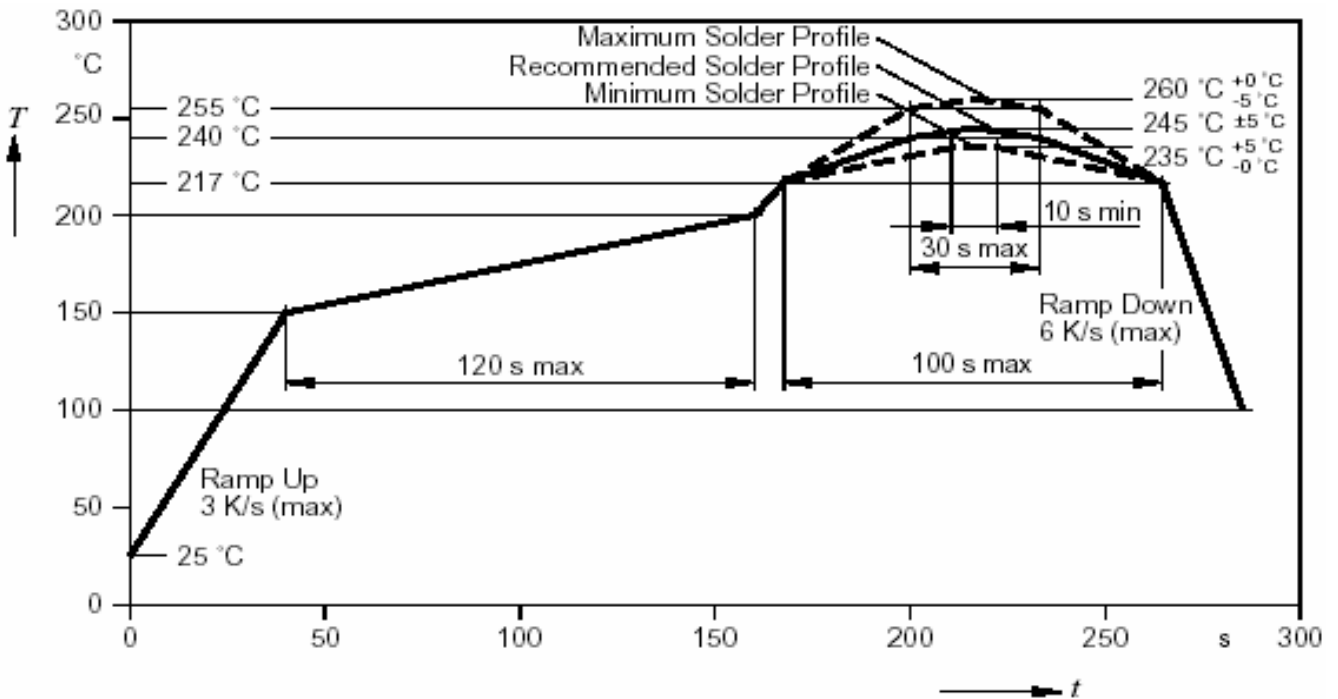
Part No. : L-C192JGCT

REV: A/1

Suggest Sn/Pb IR Reflow Soldering Profile Condition:



Suggest Pb-Free IR Reflow Soldering Profile Condition:





# SURFACE MOUNT DEVICE LED

Part No. : L-C192JGCT

REV: A/1

## ● CAUTIONS

### 1.Application Limitation :

The LED ' s descri bed here are i ntended to be used for ordi nary el ectroni c equi pment (such as offi ce equi pment, communication equi pment and household application).Consult PARA's sales in advance for information on application in which exceptional quality and reliability are required, particularly when the failure or malfunction of the LED's may directly jeopardize life or health (such as airplanes, automobiles, traffic control equipment, life support system and safety devices).

### 2.Storage :

Before opening the package :

The LEDs should be kept at 5°C to 30°C or less and 85%RH or less. The LEDs should be used within a year.

After opening the package :

The LEDs should be kept at 5°C to 30°C or less and 70%RH or less. The LEDs should be soldered within 168 hours(7 days) after opening the package.

Please avoid rapid transitions in ambient temperature in high humidity environments where condensation may occur.

### 3.Soldering

Do not apply any stress to the lead frame during soldering while the LED is at high temperature.

Recommended soldering condition.

Reflow Soldering :

Pre-heat 120~150°C, 120sec. MAX., Peak temperature : 240°C Max. Soldering time : 10 sec Max.

Soldering Iron : (Not recommended)

Temperature 300°C Max., Soldering time : 3 sec. Max.(one time only), power dissipation of iron : 20W Max. use SN60 solder of solder with silver content and don't to touch LED lens when soldering.

Wave soldering :

Pre-heat 100°C Max, Pre-heat time 60 sec. Max, Solder wave 260°C Max, Soldering time 5 sec. Max. performed consecutively cooling process is required between 1<sup>st</sup> and 2<sup>nd</sup> soldering processes.



# SURFACE MOUNT DEVICE LED

Part No. : L-C192JGCT

REV: A/1

## 4. Lead-Free Soldering

For Reflow Soldering :

- 1、 Pre-Heat Temp: 150-180 ,120sec.Max.
- 2、 Soldering Temp: Temperature Of Soldering Pot Over 230 ,40sec.Max.
- 3、 Peak Temperature: 260 , 5sec.
- 4、 Reflow Repetition: 2 Times Max.
- 5、 Suggest Solder Paste Formula : 93.3 Sn/3.1 Ag/3.1 Bi/0.5 Cu

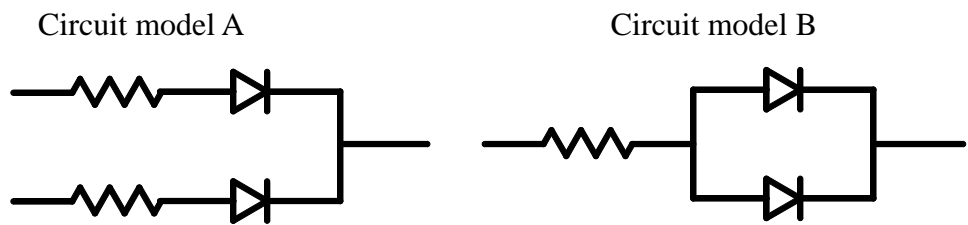
For Soldering Iron (Not Recommended) :

- 1、 Iron Tip Temp: 350 Max.
- 2、 Soldering Iron: 30w Max.
- 3、 Soldering Time: 3 Sec. Max. One Time.

For Dip Soldering :

- 1、 Pre-Heat Temp: 150 Max. 120 Sec. Max.
- 2、 Bath Temp: 265 Max.
- 3、 Dip Time: 5 Sec. Max.

## 5. Drive Method



(A)Recommended circuit.

(B)The difference of brightness between LED`s could be found due to the Vf-If characteristics of LED.



## SURFACE MOUNT DEVICE LED

Part No. : L-C192JGCT

REV: A/1

### 6. Reliability Test

Classification	Test Item	Test Condition	Reference Standard
Endurance Test	Operation Life	Ta= Under Room Temperature As Per Data Sheet Maximum Rating *Test Time= 1000HRS (-24HRS,+72HRS)*@20mA.	MIL-STD-750D:1026 (1995) MIL-STD-883D:1005 (1991) JIS C 7021:B-1 (1982)
	High Temperature High Humidity Storage	IR-Reflow In-Board, 2 Times Ta= 65±5 ,RH= 90 ~ 95% *Test Time= 1000HRS±2HRS	MIL-STD-202F:103B(1980) JIS C 7021:B-11(1982)
	High Temperature Storage	Ta= 105±5 Test Time= 1000HRS (-24HRS,72HRS)	MIL-STD-883D:1008 (1991) JIS C 7021:B-10 (1982)
	Low Temperature Storage	Ta= -55±5 *Test Time=1000HRS (-24HRS,72H RS)	JIS C 7021:B-12 (1982)
Environmental Test	Temperature Cycling	105±5      -55±5 10mins      10mins      100 Cycles	MIL-STD-202F:107D (1980) MIL-STD-750D:1051(1995) MIL-STD-883D:1010 (1991) JIS C 7021:A-4(1982)
	Thermal Shock	IR-Reflow In-Board, 2 Times 105±5      -55 ±5 10mins      10mins      100 Cycles	MIL-STD-202F:107D(1980) MIL-STD-750D:1051(1995) MIL-STD-883D:1011 (1991)
	Solder Resistance	Tsol= 260 ± 5 Dwell Time= 10 ± 1sec	MIL-STD-202F:210A(1980) MIL-STD-750D:2031(1995) JIS C 7021:A-1(1982)
	Solder ability	Tsol= 235 ± 5 Immersion time 2±0.5 sec Immersion rate 25±2.5 mm/sec Coverage 95% of the dipped surface	MIL-STD-202F:208D(1980) MIL-STD-750D:2026(1995) MIL-STD-883D:2003(1991) IEC 68 Part 2-20 JIS C 7021:A-2(1982)

### 7. Others:

The appearance and specifications of the product may be modified for improvement without notice.



**SURFACE MOUNT DEVICE LED**

Part No. : L-C192JGCT

REV: A/1

● PART NO. SYSTEM :

L - C 1 9 2 X C X X - X X X X

**XXXX** : Special specification for customer

**T** : Taping for 7 inch reel  
**TC** : Taping for 13 inch reel  
**TH** : IV half binning  
**TP** : Wavelength binning

**Lens color**  
**C** : Water Clear  
**W** : White Diffused  
**T** : Color Transparent  
**D** : Color Diffused

**KG** : AlInGap 570nm Super Green  
**KY** : AlInGap 590nm Super Yellow  
**KF** : AlInGap 605nm Super Amber  
**KR** : AlInGap 630 nm Super Red  
**LB** : InGaN 470nm Blue  
**LG** : InGaN 525nm Green  
**W** : InGaN + YAG White

**0** : Single chip  
**1/2** : Super thin single chip  
**5/6** : Dual chip  
**F** : Three chip(Full color)

**150** : 1206 1.1T Type  
**170** : 0805 0.8T Type  
**191** : 0603 0.6T Type  
**192** : 0603 0.4T Type  
**110** : 1206 1.0T Type

**C** : Top View Type  
**S** : Side View Type