

Model NO.	LCVE-060■240	Model Name	LED Power Supply
Part NO.	PLCVE0060■240	SIZE	170 * 53 * 32 mm 【6.69 * 2.09 * 1.26 inch】



FEATURES

- ◆ AC Input 90~305Vac
- ◆ Protection: SCP / OVP / OTP / OCP
- ◆ High Operating ambient Temp: -20°C ~ +60°C
- ◆ Power Factor:>0.98@115Vac;>0.92@230Vac;@full load
- ◆ Safety: Meet UL / Meet TUV
- ◆ EMC: Meet CE / FCC
- ◆ Comply with Indoor/Outdoor Waterproof (IP 67)
- ◆ Dimension (L*W*H): 170 * 53 * 32 mm
- ◆ Dimension (L*W*H): 6.69 * 2.09 * 1.26 inch
- ◆ ROHS Compliant

Module : LCVE-060■240

*,# =SEE NOTES BELOW

*(9)	MODEL	LCVE-060■240		
		min.	nom.	max.
	SPECIFICATION			
	DC OUTPUT VOLTAGE (V)		24	
*	PRESET ACCURACY (%) *(8)		1	
*	OUTPUT CURRENT(A) *(5)		2.5	
*	O/P NOISE (P-P, mV) *(3)		240	
*	LINE REGULATION (%) *(7)		1	
*	LOAD REGULATION (%) *(6)		1	
	DC OUTPUT POWER		60 W	
	EFFICIENCY(typ @Full Load)		87%	
	SETUP,RISE TIME(typ.)	1300ms,500ms at full load 115VAC/230VAC		
	HOLD UP TIME	> 25ms at full load 115VAC/230VAC		
	INPUT VOLTAGE RANGE	90-305VAC, 127-431VDC, Normal : 100-277VAC		
	INPUT FREQUENCY	Range:47-63Hz, Normal : 50-60Hz		
	ACTIVE POWER FACTOR	PF>0.98 @115VAC, PF>0.92@230VAC at full load and rated output voltage		
	INRUSH CURRENT (typ)	COLD START 50A @ 230VAC		
	AC CURRENT	1A/115VAC		
	LEAKAGE CURRENT	<0.7mA/230VAC		
	SHORT CIRCUIT PROTECTION	The SCP and OVP will restart automatically after the fault condition is removed		
	OVER V, PROTECTION			
	OVER TEMP. PROTECTION			
	OVER CURRENT PROTECTION	shut down and latch off o/p voltage , re-power on to recover		
	OPERATING TEMP.*(4)	130%~160% rated output power ; Hiccp mode		
	STORAGE TEMPERATURE	-20 to +60°C @full load		
	RELATIVE HUMIDITY	-40 to +80°C		
	TEMP. COEFFICIENT	10 to +90%, non-cond.		
	SAFETY	0.03% / °C (0-50°C, typ)		
	EMI	Meet UL879 & Meet UL60950-1 / Meet TUV EN61347-2-13		
	WITHSTAND VOLTAGE	Meet CE EN55015 / FCC Part15		
	ISOLATION RESISTANCE	I/P-O/P : 3.75KVAC, O/P-Grnd : 0.5KVAC, I/P-Grnd : 1.88KVAC		
	DIMENSIONS (L*W*H)	I/P-O/P, I/P-FG,O/P-FG :100M Ohms / 500VDC / 25°C / 70% RH		
		170 * 53 * 32 mm 【6.69 * 2.09 * 1.26 inch】		

NOTES: (1)All parameters not specially mentioned are measured 230VAC input.

(2)All specifications Typical @25°C, unless otherwise noted, at normal line and load.

(3)Ripple and Noise measured directly at pins/terminals at nom. load, 0.1uF bypass and 47uF electrolytic, pk-pk @20MHz bandwidth.

(4)Specified for free-air convection cooling.

(5)Minimum load is NOT required for proper operation .

(6)Load regulation measured from 20% to Full load.

(7)Line regulation measured from 100VAC to 277VAC.

(8)Preset accuracy measured at normal load, 120VAC input.

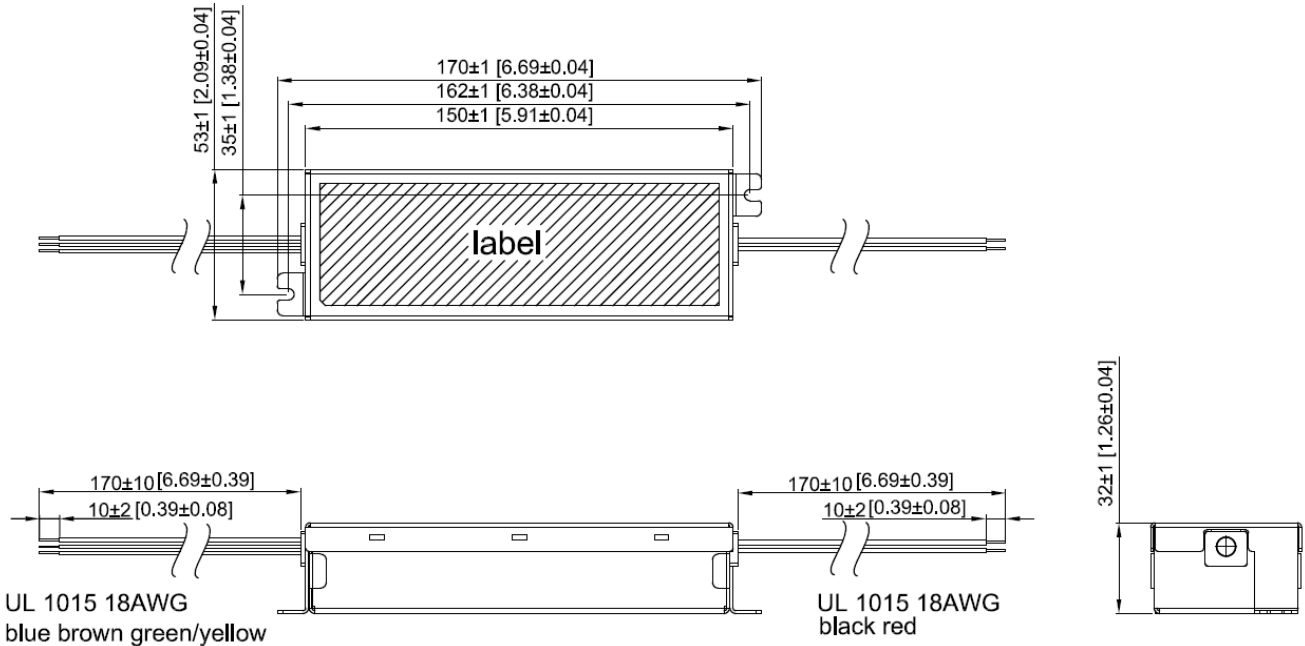
(9)100% Production Tested.

※Reference

www.linkcom.com.tw For more information, please contact with: sales@linkcom.com.tw

Model NO.	LCVE-060■240	Model Name	LED Power Supply
Part NO.	PLCVE0060■240	SIZE	170 * 53 * 32 mm 【6.69 * 2.09 * 1.26 inch】

Dimensions



Unit : mm 【inch】

※Reference