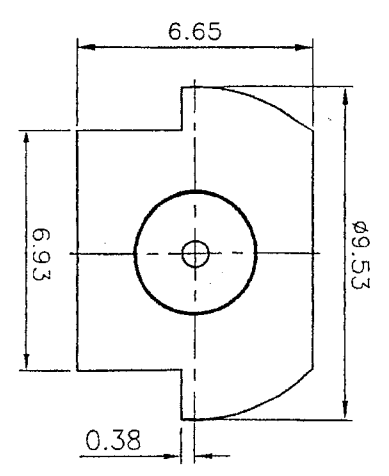
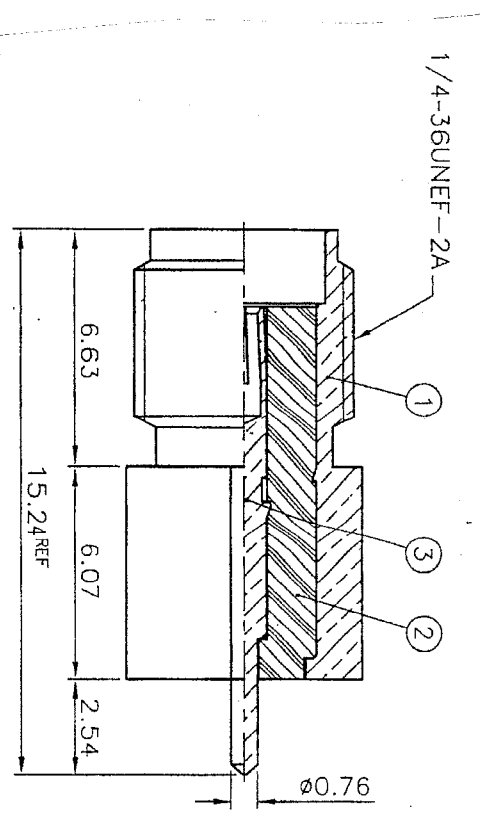


Rev	AWC #	Description	Date	Appr
-		RELEASED	11/11/04	SS

APPROVED: _____
 DATE: _____ TITLE: _____



- Notes:
1. Brass per QQ-B-626
 2. Gold plated 30u" min over nickel plated 70 min thick over copper strike
 3. Gold plated 30u" min over nickel plated 70 min thick over copper strike
 4. Teflon MIL-P-19468
 5. Beryllium copper per QQ-C-530

3	CONTACT PIN	NOTE 5	1	NOTE 3
2	INSULATOR	NOTE 4	1	WHITE
1	BODY	NOTE 1	1	NOTE 2
NO.	DESCRIPTION	MATERIAL	QTY	FINISH

UNLESS OTHERWISE SPECIFIED
 ALL DIMENSIONS ARE MM [INCHES]
 TOLERANCES: EXCEPT AS NOTED
 INCHES: .10 ØX ±.015
 .XX ±.020 ØXXX ±.015
 .XXX ±.015 ØXXX ±.010

APPROVALS: _____ DATE: 11/11/04

ADAM TECH
 909 Rdway Avenue, Union, NJ 07083
 Phone: 908-687-5000 Fax: 908-687-0714

TITLE: SMA END LAUNCH JACK

DRAWN	SS	11/11/04	SIZE	PART NO.	REV.
CHECKED			X	RF2-20-1-00-50-G	-
APPROVED			REF:	SCALE: NTS	SHEET 1 OF 1