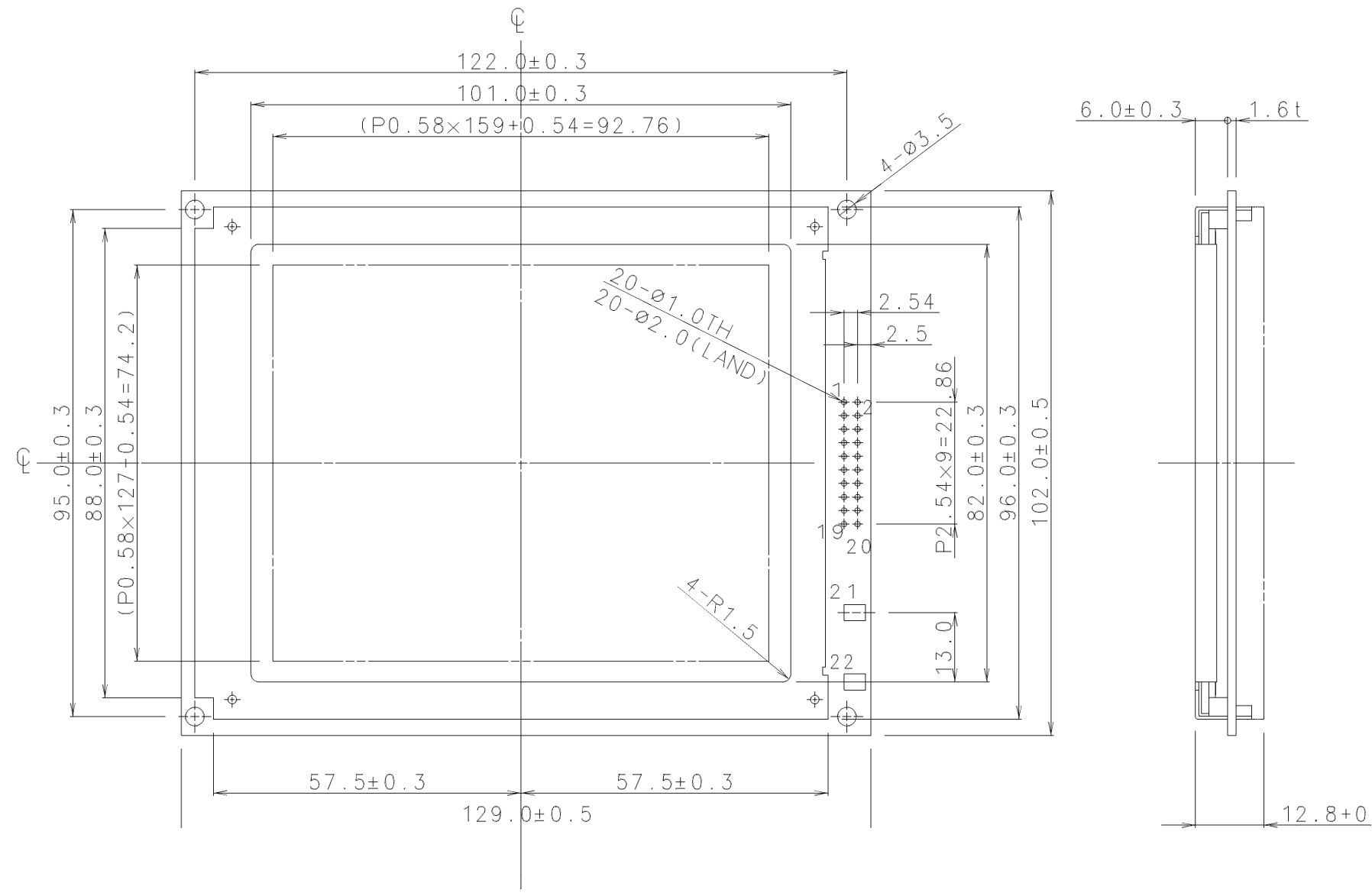




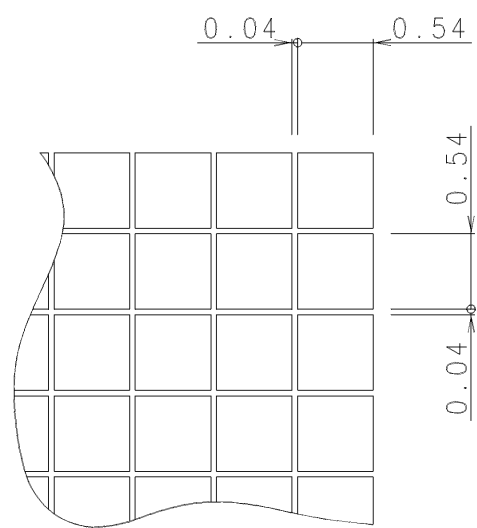
ISSUE	REVISIONS	DRAWN	APPROVED	DATE
△	Change of model name and symbol name.	D.Natsume	R.Yajima	AUG.01'95



PIN ASSIGNMENT

PIN No.	SYMBOL
1	FG
2	V _{SS}
3	V _{DD}
4	V _{CONT}
5	V _{EE}
6	\overline{WR}
7	\overline{RD}
8	\overline{CE}
9	C/ \overline{D}
10	\overline{HALT}
11	\overline{RESET}
12	D0
13	D1
14	D2
15	D3
16	D4
17	D5
18	D6
19	D7
20	NC.
21	EL 1)
22	EL 1)

NOTE 1). FOR EL TYPE ONLY



DOT DETAIL: SCALE 20/1

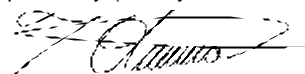
MEASURE	TOLERANCE			THIRD ANGLE PROJECTION	DATE	OPTREX CORPORATION
	A	B	C		MAR. 16'87	
L ≤ 16	±0.1	±0.3	±1	UNIT mm	APPROVED	TITLE
16 < L ≤ 63	±0.2	±0.5	±1.5		T.Katsuta	DIMENSIONAL OUTLINE
63 < L ≤ 250	±0.3	±0.8	±2	SCALE 1:1	CHECKED	CODE
250 < L ≤ 500	±0.5	±1.2	±3		T.Ohyama	DMF 5001N Series △
500 < L	±0.8	±2	±4	DRAWN	DWG NO	
ANGLE	±1°	±5°	±10°	S.Matsuoka	UE-31324A	

LCD Module Technical Specification

Type No. **DMF5001NF-AWE-BAN**



Approved by (Quality Assurance Division)



Checked by (ACI Engineering Division)

T. Yuchi

Prepared by (ACI Engineering Division)

Table of Contents

1. General Specifications	2
2. Electrical Specifications	3
3. Optical Specifications	6
4. I/O Terminal	8
5. Test	10
6. Appearance Standards	11
7. Code System of Production Lot	14
8. Type Number	14
9. Applying Precautions	14
10. Precautions Relating Product Handling	15
11. Warranty	16

Revision History

Rev.	Date	Page	Comment

1.General Specifications

Operating Temp.	:	min. 0°C ~max. 50°C
Storage Temp.	:	min. -20°C ~max. 60°C
Dot Pixels	:	160 (W) × 128 (H) dots
Dot Size	:	0.54 (W) × 0.54 (H) mm
Dot Pitch	:	0.58 (W) × 0.58 (H) mm
Viewing Area	:	101.0 (W) × 82.0 (H) mm
Outline Dimensions	:	129.0 (W) × 102.0 (H) × 12.8 (D) mm
Weight	:	160g max.
LCD Type	:	NRD-7353 (F-STN / Black & White-mode / Reflective)
Viewing Angle	:	6:00
Control LSI	:	T6963C-0101 (Produced by TOSHIBA)
Data Transfer	:	8 bit parallel data transfer
Backlight	:	None
Drawings	:	Dimensional Outline UE-31324B
RoHS regulation	:	To our best knowledge, this product satisfies material requirement of RoHS regulation. Our company is doing the best efforts to obtain the equivalent certificate from our suppliers.

2. Electrical Specifications

2.1. Absolute Maximum Ratings

V_{SS}=0V

Parameter	Symbol	Conditions	Min.	Max.	Units
Supply Voltage (Logic)	V _{DD} -V _{SS}	-	-0.3	7.0	V
Supply Voltage (LCD Drive)	V _{DD} -V _{EE}	-	-0.3	28.0	V
Input Voltage	V _I	-	-0.3	V _{DD} +0.3	V

2.2. DC Characteristics

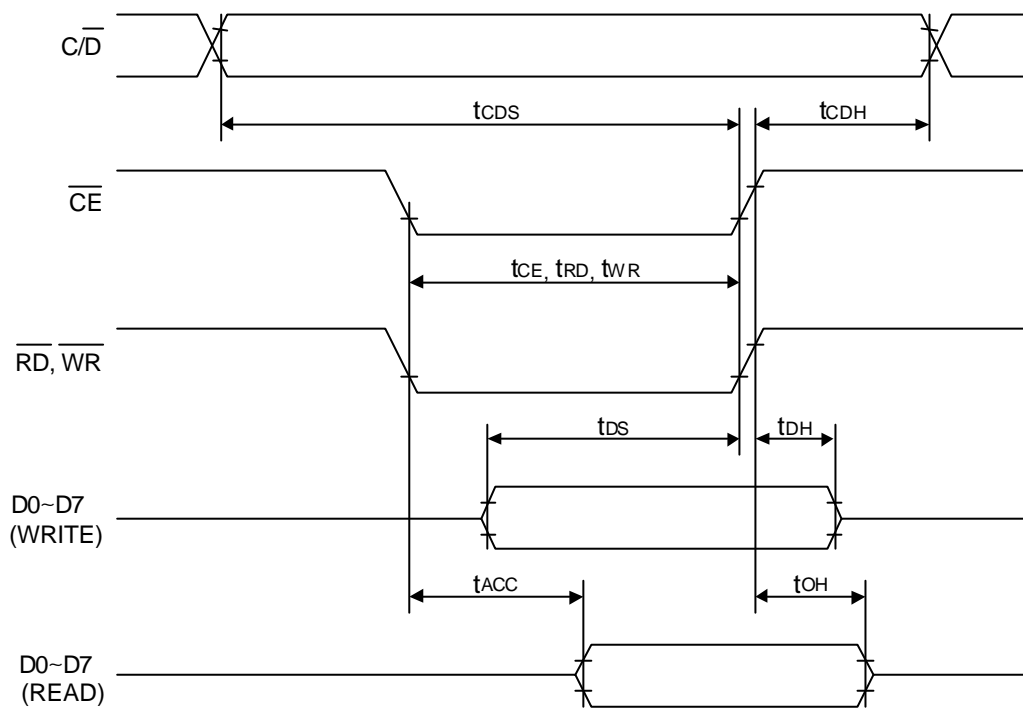
T_a=25°C, V_{SS}=0V

Parameter	Symbol	Conditions	Min.	Typ.	Max.	Units
Supply Voltage (Logic)	V _{DD} -V _{SS}	-	4.5	-	5.5	V
Supply Voltage (LCD Drive)	V _{DD} -V _{EE}	-	23.0	-	26.0	V
	V _{DD} -V _{CONT}	Shown in 3.1				V
High Level Input Voltage	V _{IH}	V _{DD} =5.0V±10%	V _{DD} -2.2	-	V _{DD}	V
Low Level Input Voltage	V _{IL}	V _{DD} =5.0V±10%	0	-	0.8	V
High Level Output Voltage	V _{OH}	I _{OH} =-0.75mA	V _{DD} -0.3	-	V _{DD}	V
Low Level Output Voltage	V _{OL}	I _{OL} =0.75mA	0	-	0.3	V
Supply Current	I _{DD}	V _{DD} -V _{SS} =5.0V	-	20.0	30.0	mA
	I _{EE}	V _{DD} -V _{EE} =19.9V	-	13.0	20.0	mA

2.3.AC Characteristics

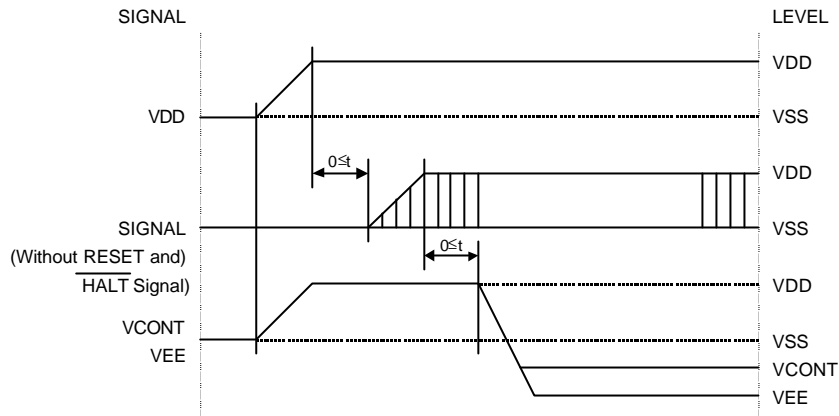
$V_{DD}=5.0V\pm 10\%$

Parameter	Symbol	Min.	Max.	Units
$\overline{C/D}$ Setup Time	t_{CDS}	100	-	ns
$\overline{C/D}$ Hold Time	t_{CDH}	10	-	ns
\overline{CE} , \overline{RD} , \overline{WR} Pulse Width	t_{CE} , t_{RD} , t_{WR}	80	-	ns
Data Setup Time	t_{DS}	80	-	ns
Data Hold Time	t_{DH}	40	-	ns
Access Time	t_{ACC}	-	150	ns
Output Hold Time	t_{OH}	10	50	ns

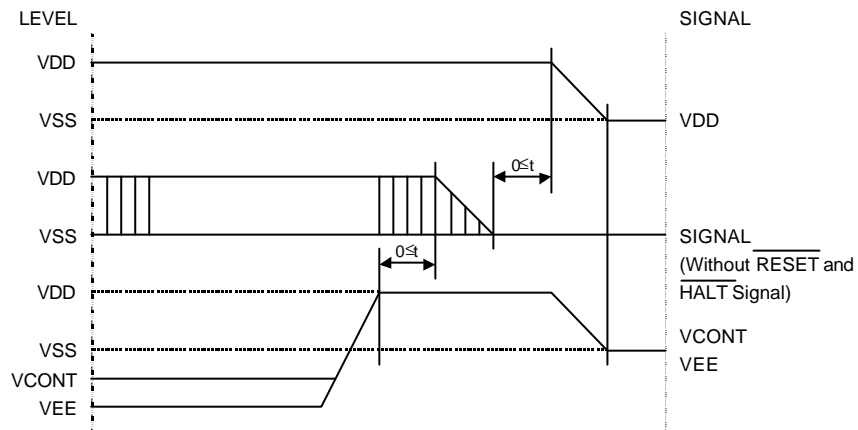


2.4. Power Supply ON/OFF Sequence

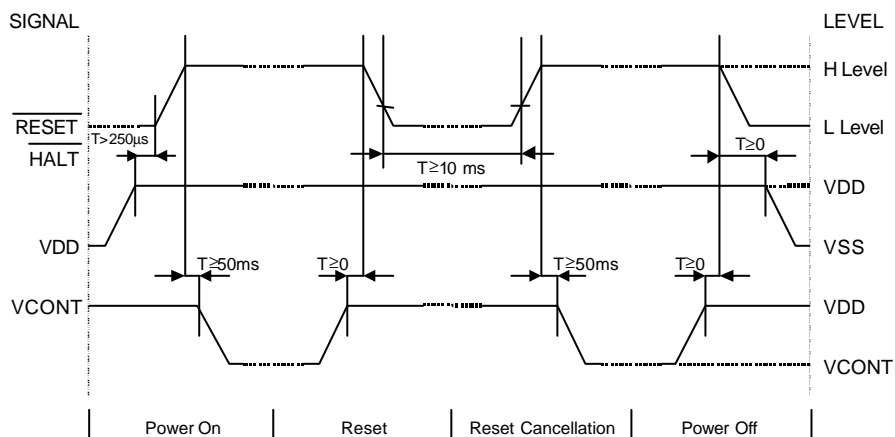
2.4.1. ON Sequence



2.4.2. OFF Sequence



2.4.3. Reset Sequence



Please maintain the above sequence when turning on and off the power supply of the module.

If VEE and/or VCONT is supplied to the module while internal alternate signal for LCD driving (M) is unstable or RESET is active, DC component will be supplied to the LCD panel. This may cause damage to the LCD module.

3. Optical Specifications

3.1. LCD Driving Voltage

Parameter	Symbol	Conditions	Min.	Typ.	Max.	Units
Recommended LCD Driving Voltage Note 1	$V_{DD}-V_{CONT}$	$T_a=0^{\circ}\text{C}$	-	-	22.6	V
		$T_a=25^{\circ}\text{C}$	18.5	19.9	21.3	V
		$T_a=50^{\circ}\text{C}$	17.5	-	-	V

Note 1 : Voltage (Applied actual waveform to LCD Module) for the best contrast. The range of minimum and maximum shows tolerance of the operating voltage. The specified contrast ratio and response time are not guaranteed over the entire range.

3.2. Optical Characteristics

$T_a=25^{\circ}\text{C}$, 1/128 Duty, 1/12.3 Bias, $V_D=18.3\text{V}$ (Note 4), $\theta=0^{\circ}$, $\phi=-^{\circ}$

Parameter	Symbol	Conditions	Min.	Typ.	Max.	Units
Contrast Ratio Note 1	CR	$\theta=0^{\circ}$, $\phi=-^{\circ}$	-	6	-	
Viewing Angle		Shown in 3.3				
Response Time	Rise Note 2	T_{ON}	-	125	200	ms
	Decay Note 3	T_{OFF}	-	300	450	ms

Note 1 : Contrast ratio is defined as follows. ($CR = L_{OFF} / L_{ON}$)

L_{ON} : Luminance of the ON segments

L_{OFF} : Luminance of the OFF segments

Note 2 : The time that the luminance level reaches 90% of the saturation level from 0% when ON signal is applied.

Note 3 : The time that the luminance level reaches 10% of the saturation level from 100% when OFF signal is applied.

Note 4 : Definition of Driving Voltage V_D

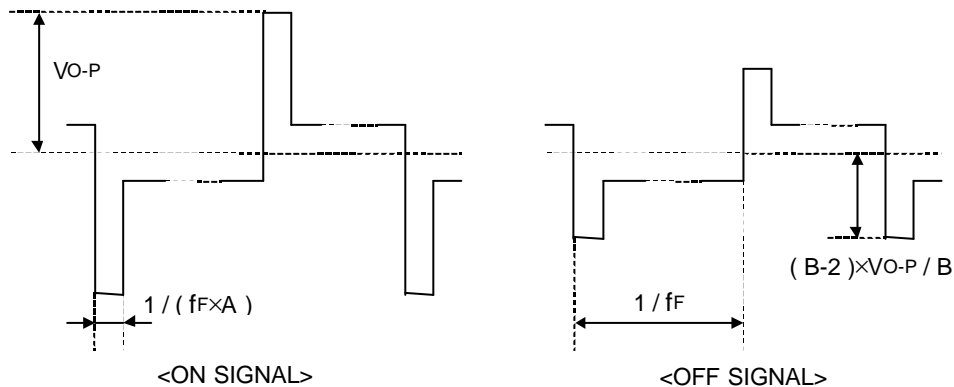
$$V_D = V_{DD} - V_{CONT} - V_{BE}$$

Assuming that the typical driving waveforms shown below are applied to the LCD Panel at 1/A Duty - 1/B Bias (A : Duty Number, B : Bias Number). Driving voltage V_D is defined as follows.

$$V_D = (V_{th1} + V_{th2}) / 2$$

V_{th1} : The voltage V_{O-P} that should provide 50% of the saturation level in the luminance at the segment which the ON signal is applied to.

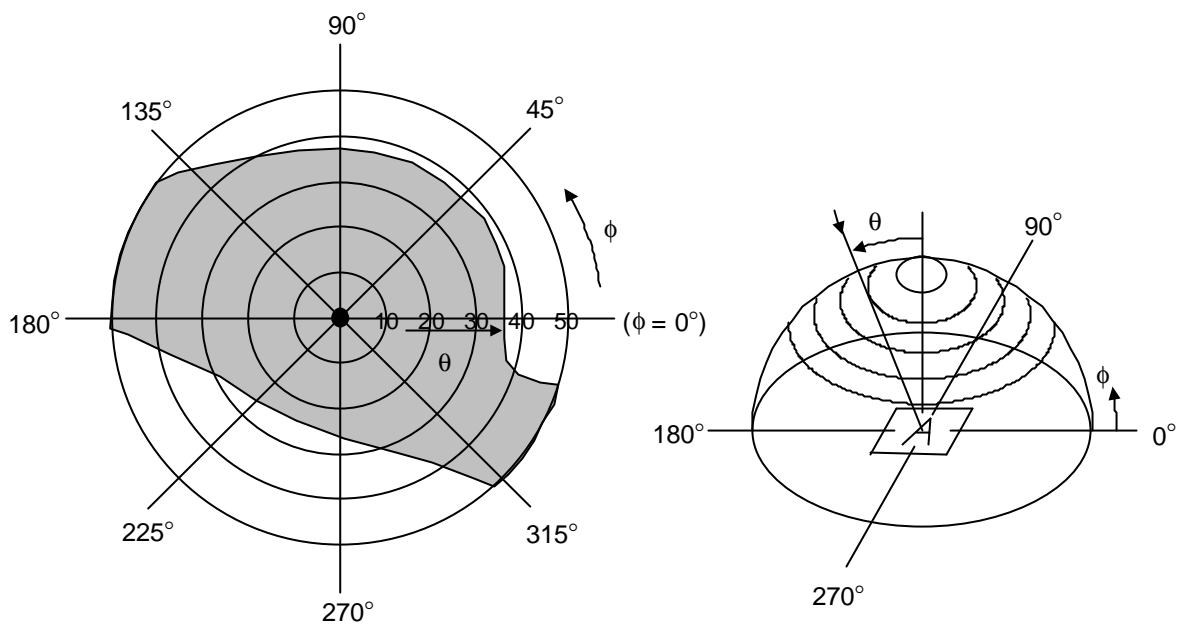
V_{th2} : The voltage V_{O-P} that should provide 50% of the saturation level in the luminance at the segment which the OFF signal is applied to.




3.3. Definition of Viewing Angle and Optimum Viewing Area

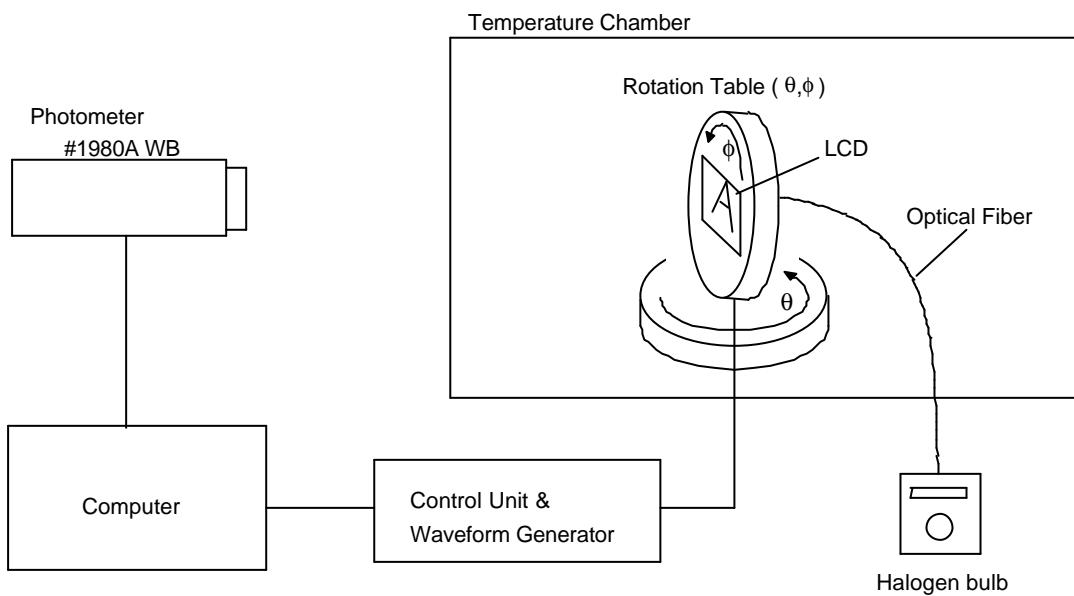
*Point ● shows the point where contrast ratio is measured. : $\theta = 0^\circ$, $\phi = 0^\circ$

*Driving condition : 1/128 Duty, 1/12.3 Bias, $V_D = 18.3V$, $f_F = 70Hz$



*Area  shows typ. $CR \geq 2$

3.4. System Block Diagram



4.I/O Terminal

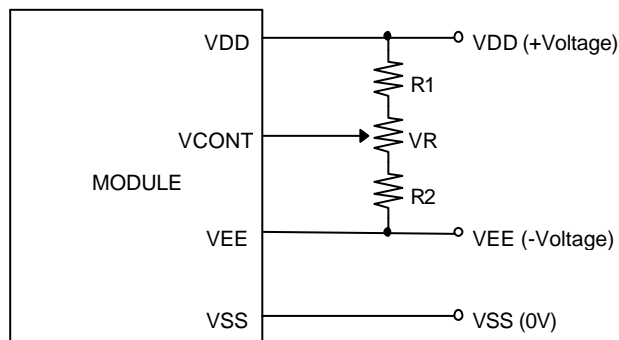
4.1.Pin Assignment

CN1

No.	Symbol	Function
1	FG	Frame Ground
2	V _{SS}	Power Supply (0V, GND)
3	V _{DD}	Power Supply for Logic
4	V _{CONT}	Voltage Level for LCD Contrast Adjustment
5	V _{EE}	Power Supply for LCD Drive
6	$\overline{\text{WR}}$	Write Signal L : Active
7	$\overline{\text{RD}}$	Read Signal L : Active
8	$\overline{\text{CE}}$	Chip Enable Signal L : Active
9	$\overline{\text{C/D}}$	Write Mode H : Command Write L : Data Write Read Mode H : Status Read L : Data Read
10	$\overline{\text{HALT}}$	Clock Operating Stop Signal L : Halt
11	$\overline{\text{RESET}}$	Reset Signal L : Reset
12	D0	Display Data
13	D1	Display Data
14	D2	Display Data
15	D3	Display Data
16	D4	Display Data
17	D5	Display Data
18	D6	Display Data
19	D7	Display Data
20	NC	Non-connection

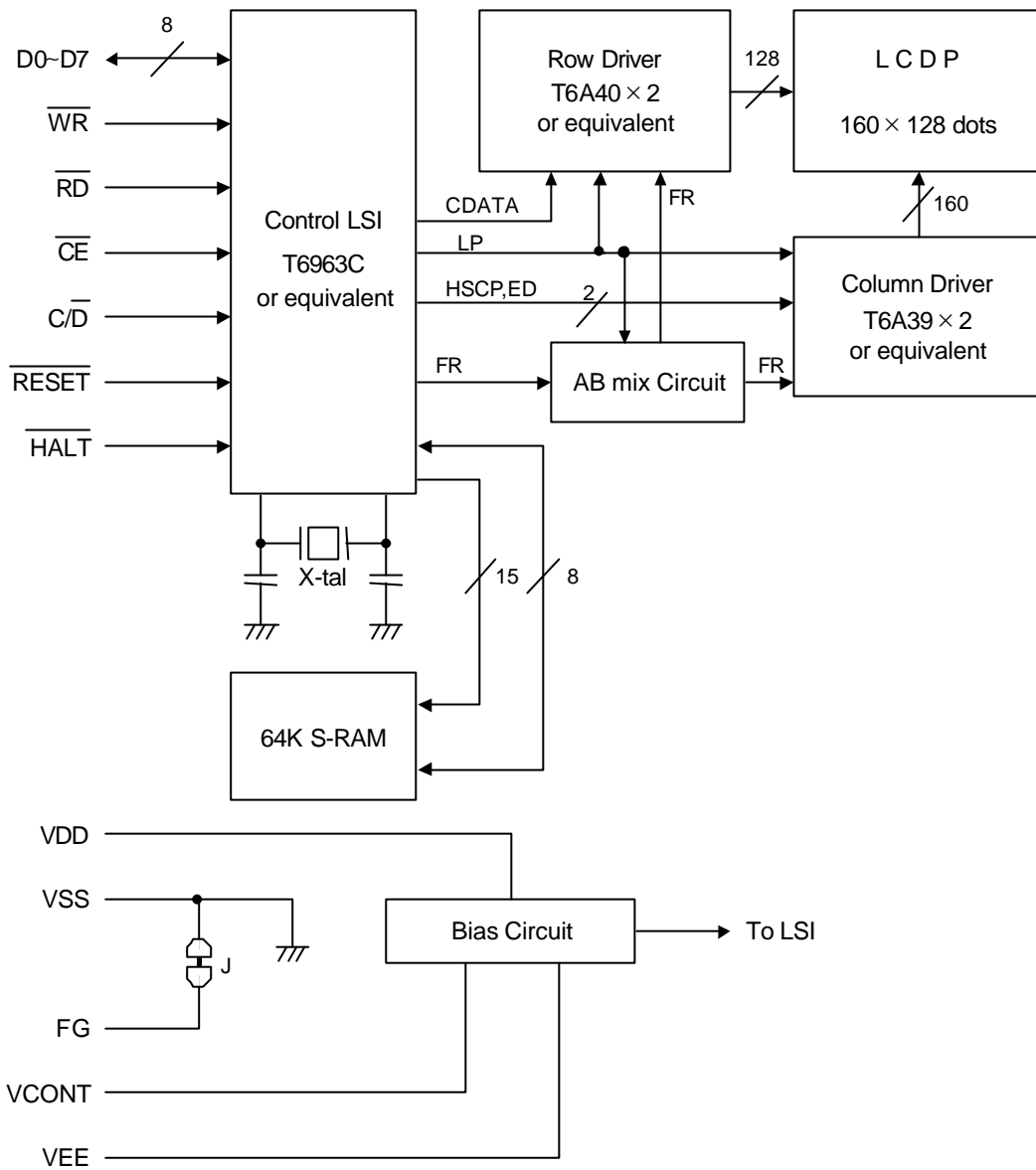
4.2.Example of Power Supply

It is recommended to apply a potentiometer for the contrast adjust due to the tolerance of the driving voltage and its temperature dependence.



$$R1+R2+VR=10\sim 20k\Omega$$

4.3. Block Diagram



5. Test

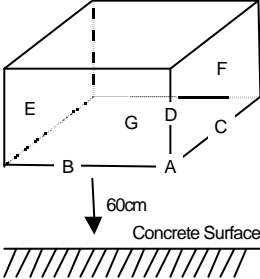
No change on display and in operation under the following test condition.

Conditions: Unless otherwise specified, tests will be conducted under the following condition.

Temperature: $20 \pm 5^\circ\text{C}$

Humidity : $65 \pm 5\% \text{RH}$

tests will be not conducted under functioning state.

No.	Parameter	Conditions	Notes
1	High Temperature Operating	$50^\circ\text{C} \pm 2^\circ\text{C}$, 96hrs (operation state)	
2	Low Temperature Operating	$0^\circ\text{C} \pm 2^\circ\text{C}$, 96hrs (operation state)	1
3	High Temperature Storage	$60^\circ\text{C} \pm 2^\circ\text{C}$, 96hrs	2
4	Low Temperature Storage	$-20^\circ\text{C} \pm 2^\circ\text{C}$, 96hrs	1,2
5	Damp Proof Test	$40^\circ\text{C} \pm 2^\circ\text{C}$, 90~95%RH, 96hrs	1,2
6	Vibration Test	Total fixed amplitude : 1.5mm Vibration Frequency : 10~55Hz One cycle 60 seconds to 3 directions of X, Y, Z for each 15 minutes	3
7	Shock Test	To be measured after dropping from 60cm high on the concrete surface in packing state.  Dropping method corner dropping A corner : once Edge dropping B,C,D edge : once Face dropping E,F,G face : once	

Note 1 :No dew condensation to be observed.

Note 2 :The function test shall be conducted after 4 hours storage at the normal Temperature and humidity after removed from the test chamber.

Note 3 :Vibration test will be conducted to the product itself without putting it in a container.

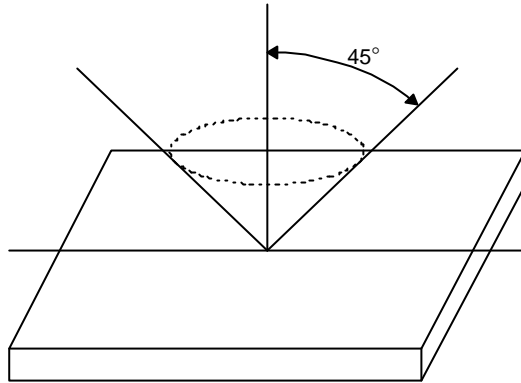
6.Appearance Standards

6.1.Inspection conditions

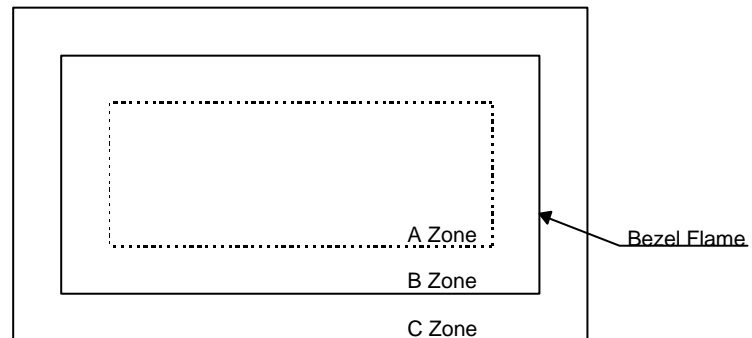
The LCD shall be inspected under 40W white fluorescent light.

The distance between the eyes and the sample shall be more than 30cm.

All directions for inspecting the sample should be within 45°against perpendicular line.



6.2.Definition of applicable Zones



A Zone : Active display area

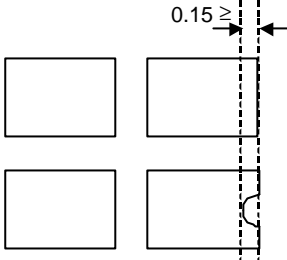
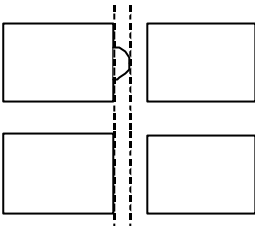
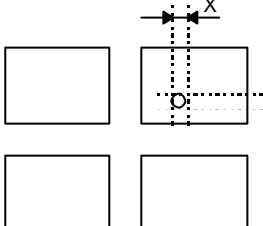
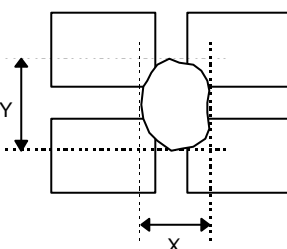
B Zone : Area from outside of "A Zone" to validity viewing area

C Zone : Rest parts

A Zone + B Zone = Validity viewing area

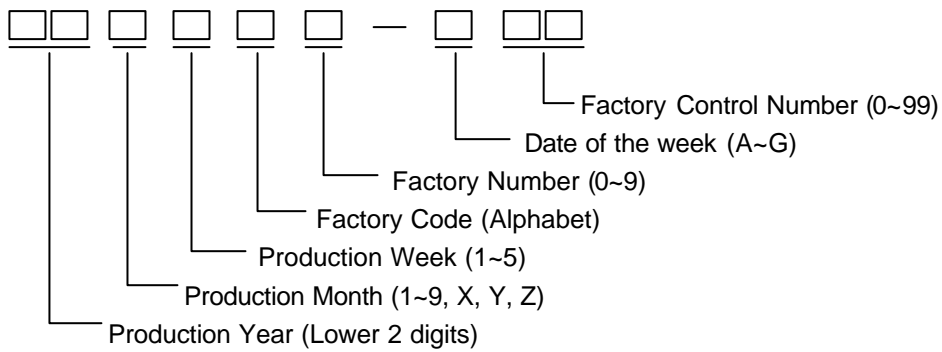
6.3. Standards

No.	Parameter	Criteria																																																										
1	Black and White Spots, Foreign Substances	<p>(1) Round Shape</p> <table border="1" data-bbox="603 324 1366 660"> <thead> <tr> <th data-bbox="603 324 906 369">Zone</th> <th colspan="3" data-bbox="906 324 1366 369">Acceptable Number</th> </tr> <tr> <th data-bbox="603 369 906 414">Dimension (mm)</th> <th data-bbox="906 369 1061 414">A</th> <th data-bbox="1061 369 1216 414">B</th> <th data-bbox="1216 369 1366 414">C</th> </tr> </thead> <tbody> <tr> <td data-bbox="603 414 906 459">$D \leq 0.1$</td> <td data-bbox="906 414 1061 459">*</td> <td data-bbox="1061 414 1216 459">*</td> <td data-bbox="1216 414 1366 459">*</td> </tr> <tr> <td data-bbox="603 459 906 504">$0.1 < D \leq 0.2$</td> <td data-bbox="906 459 1061 504">3</td> <td data-bbox="1061 459 1216 504">5</td> <td data-bbox="1216 459 1366 504">*</td> </tr> <tr> <td data-bbox="603 504 906 548">$0.2 < D \leq 0.25$</td> <td data-bbox="906 504 1061 548">2</td> <td data-bbox="1061 504 1216 548">3</td> <td data-bbox="1216 504 1366 548">*</td> </tr> <tr> <td data-bbox="603 548 906 593">$0.25 < D \leq 0.3$</td> <td data-bbox="906 548 1061 593">0</td> <td data-bbox="1061 548 1216 593">1</td> <td data-bbox="1216 548 1366 593">*</td> </tr> <tr> <td data-bbox="603 593 906 660">$0.3 < D$</td> <td data-bbox="906 593 1061 660">0</td> <td data-bbox="1061 593 1216 660">0</td> <td data-bbox="1216 593 1366 660">*</td> </tr> </tbody> </table> <p data-bbox="603 672 1077 705">$D = (\text{Long} + \text{Short}) / 2$ * : Disregard</p> <p>(2) Line Shape</p> <table border="1" data-bbox="603 750 1366 1041"> <thead> <tr> <th colspan="2" data-bbox="603 750 906 795">Zone</th> <th colspan="3" data-bbox="906 750 1366 795">Acceptable Number</th> </tr> <tr> <th data-bbox="603 795 758 840">X (mm)</th> <th data-bbox="758 795 906 840">Y (mm)</th> <th data-bbox="906 795 1061 840">A</th> <th data-bbox="1061 795 1216 840">B</th> <th data-bbox="1216 795 1366 840">C</th> </tr> </thead> <tbody> <tr> <td data-bbox="603 840 758 884">-</td> <td data-bbox="758 840 906 884">$0.03 \geq W$</td> <td data-bbox="906 840 1061 884">*</td> <td data-bbox="1061 840 1216 884">*</td> <td data-bbox="1216 840 1366 884">*</td> </tr> <tr> <td data-bbox="603 884 758 929">$2.0 \geq L$</td> <td data-bbox="758 884 906 929">$0.05 \geq W$</td> <td data-bbox="906 884 1061 929">3</td> <td data-bbox="1061 884 1216 929">3</td> <td data-bbox="1216 884 1366 929">*</td> </tr> <tr> <td data-bbox="603 929 758 974">$1.0 \geq L$</td> <td data-bbox="758 929 906 974">$0.1 \geq W$</td> <td data-bbox="906 929 1061 974">3</td> <td data-bbox="1061 929 1216 974">3</td> <td data-bbox="1216 929 1366 974">*</td> </tr> <tr> <td data-bbox="603 974 758 1041">-</td> <td data-bbox="758 974 906 1041">$0.1 < W$</td> <td colspan="3" data-bbox="906 974 1366 1041">In the same way (1)</td> </tr> </tbody> </table> <p data-bbox="603 1052 1045 1086">X : Length Y : Width * : Disregard</p> <p data-bbox="603 1097 965 1131">Total defects shall not exceed 5.</p>	Zone	Acceptable Number			Dimension (mm)	A	B	C	$D \leq 0.1$	*	*	*	$0.1 < D \leq 0.2$	3	5	*	$0.2 < D \leq 0.25$	2	3	*	$0.25 < D \leq 0.3$	0	1	*	$0.3 < D$	0	0	*	Zone		Acceptable Number			X (mm)	Y (mm)	A	B	C	-	$0.03 \geq W$	*	*	*	$2.0 \geq L$	$0.05 \geq W$	3	3	*	$1.0 \geq L$	$0.1 \geq W$	3	3	*	-	$0.1 < W$	In the same way (1)		
Zone	Acceptable Number																																																											
Dimension (mm)	A	B	C																																																									
$D \leq 0.1$	*	*	*																																																									
$0.1 < D \leq 0.2$	3	5	*																																																									
$0.2 < D \leq 0.25$	2	3	*																																																									
$0.25 < D \leq 0.3$	0	1	*																																																									
$0.3 < D$	0	0	*																																																									
Zone		Acceptable Number																																																										
X (mm)	Y (mm)	A	B	C																																																								
-	$0.03 \geq W$	*	*	*																																																								
$2.0 \geq L$	$0.05 \geq W$	3	3	*																																																								
$1.0 \geq L$	$0.1 \geq W$	3	3	*																																																								
-	$0.1 < W$	In the same way (1)																																																										
2	Air Bubbles (between glass & polarizer)	<table border="1" data-bbox="603 1182 1366 1473"> <thead> <tr> <th data-bbox="603 1182 906 1227">Zone</th> <th colspan="3" data-bbox="906 1182 1366 1227">Acceptable Number</th> </tr> <tr> <th data-bbox="603 1227 906 1272">Dimension (mm)</th> <th data-bbox="906 1227 1061 1272">A</th> <th data-bbox="1061 1227 1216 1272">B</th> <th data-bbox="1216 1227 1366 1272">C</th> </tr> </thead> <tbody> <tr> <td data-bbox="603 1272 906 1317">$D \leq 0.3$</td> <td data-bbox="906 1272 1061 1317">*</td> <td data-bbox="1061 1272 1216 1317">*</td> <td data-bbox="1216 1272 1366 1317">*</td> </tr> <tr> <td data-bbox="603 1317 906 1361">$0.3 < D \leq 0.4$</td> <td data-bbox="906 1317 1061 1361">3</td> <td data-bbox="1061 1317 1216 1361">*</td> <td data-bbox="1216 1317 1366 1361">*</td> </tr> <tr> <td data-bbox="603 1361 906 1406">$0.4 < D \leq 0.6$</td> <td data-bbox="906 1361 1061 1406">2</td> <td data-bbox="1061 1361 1216 1406">3</td> <td data-bbox="1216 1361 1366 1406">*</td> </tr> <tr> <td data-bbox="603 1406 906 1473">$0.6 < D$</td> <td data-bbox="906 1406 1061 1473">0</td> <td data-bbox="1061 1406 1216 1473">0</td> <td data-bbox="1216 1406 1366 1473">*</td> </tr> </tbody> </table> <p data-bbox="603 1485 774 1518">* : Disregard</p> <p data-bbox="603 1529 965 1563">Total defects shall not exceed 3.</p>	Zone	Acceptable Number			Dimension (mm)	A	B	C	$D \leq 0.3$	*	*	*	$0.3 < D \leq 0.4$	3	*	*	$0.4 < D \leq 0.6$	2	3	*	$0.6 < D$	0	0	*																																		
Zone	Acceptable Number																																																											
Dimension (mm)	A	B	C																																																									
$D \leq 0.3$	*	*	*																																																									
$0.3 < D \leq 0.4$	3	*	*																																																									
$0.4 < D \leq 0.6$	2	3	*																																																									
$0.6 < D$	0	0	*																																																									

No.	Parameter	Criteria
3	The Shape of Dot	<p>(1) Dot Shape (with Dent)</p>  <p>As per the sketch of left hand.</p> <p>(2) Dot Shape (with Projection)</p>  <p>Should not be connected to next dot.</p> <p>(3) Pin Hole</p>  <p>$(X+Y) / 2 \leq 0.2\text{mm}$ (Less than 0.1mm is no counted.)</p> <p>(4) Deformation</p>  <p>$(X+Y) / 2 \leq 0.2\text{mm}$</p> <p>Total acceptable number : 1/dot, 5/cell (Defect number of (4) : 1pc.)</p>
4	Polarizer Scratches	Not to be conspicuous defects.
5	Polarizer Dirts	If the stains are removed easily from LCDP surface, the module is not defective.
6	Complex Foreign Substance Defects	Black spots, line shaped foreign substances or air bubbles between glass & polarizer should be 5pcs maximum in total.
7	Distance between Different Foreign Substance Defects	$D \leq 0.2$: 20mm or more $0.2 < D$: 40mm or more

7.Code System of Production Lot

The production lot of module is specified as follows.



8.Type Number

The type number of module is specified as follows.

DMF5001NF-AWE-BAN

9.Applying Precautions

Please contact us when questions and/or new problems not specified in this Specifications arise.

10.Precautions Relating Product Handling

The Following precautions will guide you in handling our product correctly.

- 1) Liquid crystal display devices
 1. The liquid crystal display device panel used in the liquid crystal display module is made of plate glass. Avoid any strong mechanical shock. Should the glass break handle it with care.
 2. The polarizer adhering to the surface of the LCD is made of a soft material. Guard against scratching it.
- 2) Care of the liquid crystal display module against static electricity discharge.
 1. When working with the module, be sure to ground your body and any electrical equipment you may be using. We strongly recommend the use of anti static mats (made of rubber), to protect work tables against the hazards of electrical shock.
 2. Avoid the use of work clothing made of synthetic fibers. We recommend cotton clothing or other conductivity-treated fibers.
 3. Slowly and carefully remove the protective film from the LCD module, since this operation can generate static electricity.
- 3) When the LCD module alone must be stored for long periods of time:
 1. Protect the modules from high temperature and humidity.
 2. Keep the modules out of direct sunlight or direct exposure to ultraviolet rays.
 3. Protect the modules from excessive external forces.
- 4) Use the module with a power supply that is equipped with an overcurrent protector circuit,since the module is not provided with this protective feature.
- 5) Do not ingest the LCD fluid itself should it leak out of a damaged LCD module. Should hands or clothing come in contact with LCD fluid, wash immediately with soap.
- 6) Conductivity is not guaranteed for models that use metal holders where solder connections between the metal holder and the PCB are not used. Please contact us to discuss appropriate ways to assure conductivity.
- 7) For models which use CFL:
 1. High voltage of 1000V or greater is applied to the CFL cable connector area. Care should be taken not to touch connection areas to avoid burns.
 2. Protect CFL cables from rubbing against the unit and thus causing the wire jacket to become worn.
 3. The use of CFLs for extended periods of time at low temperatures will significantly shorten their service life.
- 8) For models which use touch panels:
 1. Do not stack up modules since they can be damaged by components on neighboring modules.
 2. Do not place heavy objects on top of the product. This could cause glass breakage.
- 9) For models which use COG,TAB,or COF:
 1. The mechanical strength of the product is low since the IC chip faces out unprotected from the rear. Be sure to protect the rear of the IC chip from external forces.
 2. Given the fact that the rear of the IC chip is left exposed, in order to protect the unit from electrical damage, avoid installation configurations in which the rear of the IC chip runs the risk of making any electrical contact.

10) Models which use flexible cable, heat seal, or TAB:

1. In order to maintain reliability, do not touch or hold by the connector area.
2. Avoid any bending, pulling, or other excessive force, which can result in broken connections.

11) In case of buffer material such as cushion / gasket is assembled into LCD module, it may have an adverse effect on connecting parts (LCD panel-TCP / HEAT SEAL / FPC / etc., PCB-TCP / HEAT SEAL / FPC etc., TCP-HEAT SEAL, TCP-FPC, HEAT SEAL-FPC, etc.,) depending on its materials.

Please check and evaluate these materials carefully before use.

12) In case of acrylic plate is attached to front side of LCD panel, cloudiness (very small cracks) can occur on acrylic plate, being influenced by some components generated from polarizer film..

Please check and evaluate those acrylic materials carefully before use.

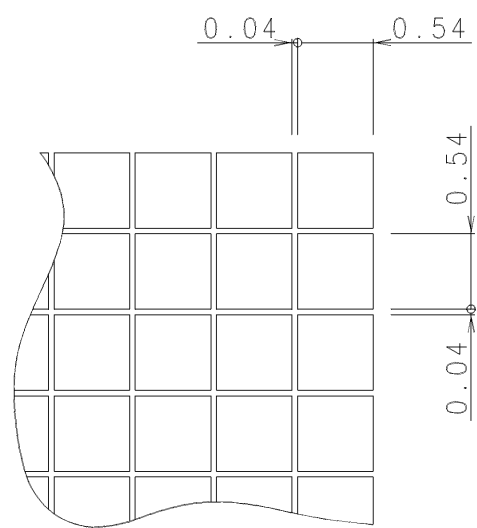
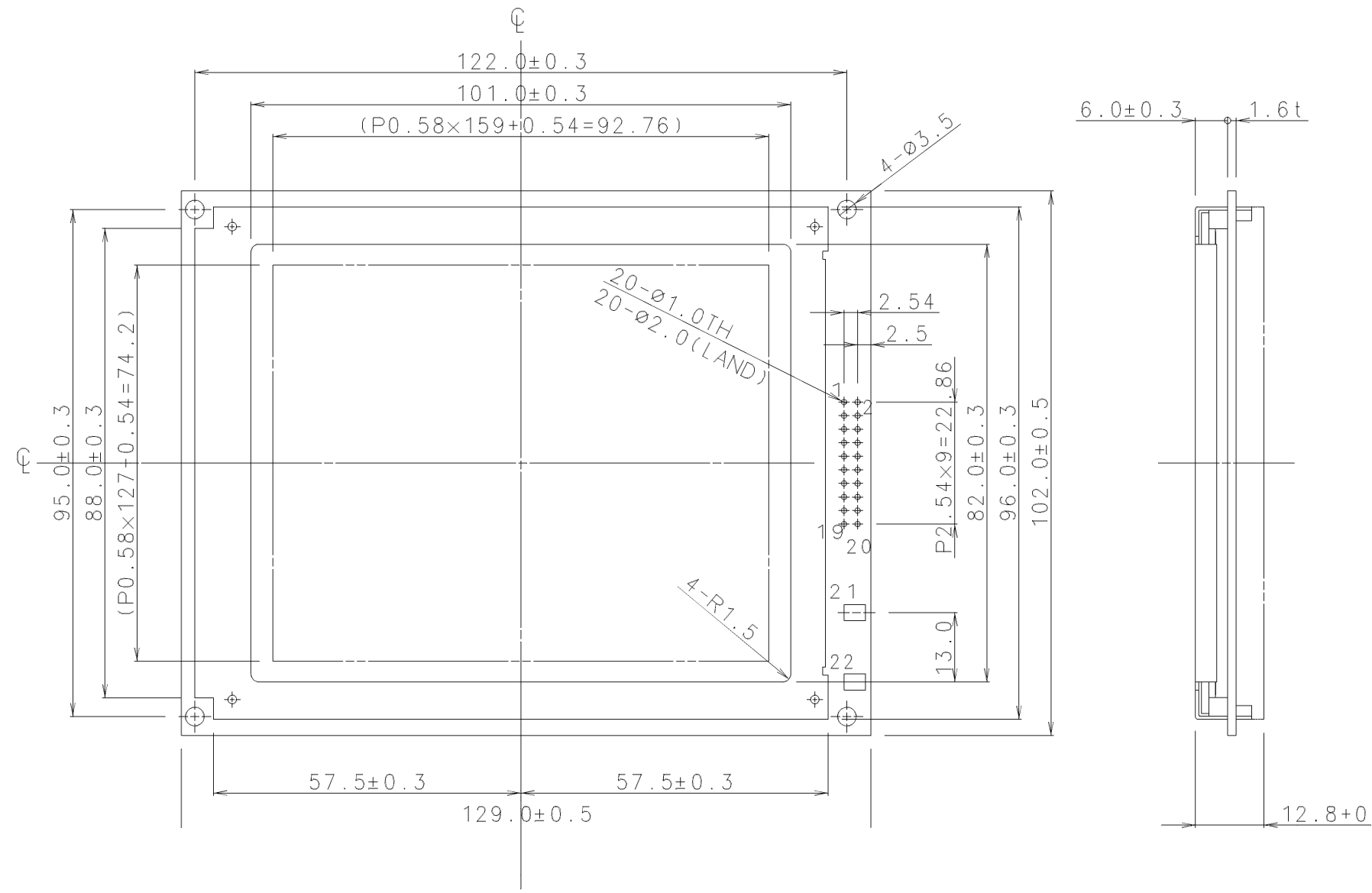
11. Warranty

This product has been manufactured to your company's specifications as a part for use in your company's general electronic products. It is guaranteed to perform according to delivery specifications. For any other use apart from general electronic equipment, we cannot take responsibility if the product is used in medical devices, nuclear power control equipment, aerospace equipment, fire and security systems, or any other applications in which there is a direct risk to human life and where extremely high levels of reliability are required. If the product is to be used in any of the above applications, we will need to enter into a separate product liability agreement.

1. We cannot accept responsibility for any defect, which may arise from additional manufacturing of the product (including disassembly and reassembly), after product delivery.
2. We cannot accept responsibility for any defect, which may arise after the application of strong external force to the product.
3. We cannot accept responsibility for any defect, which may arise due to the application of static electricity after the product has passed your company's acceptance inspection procedures.
4. When the product is in CFL models, CFL service life and brightness will vary According to the performance of the inverter used, leaks, etc. We cannot accept responsibility for product performance, reliability, or defect, which may arise.
5. We cannot accept responsibility for intellectual property of a third party, which may arise through the application of our product to your assembly with exception to those issues relating directly to the structure or method of manufacturing of our product.
6. Optrex will not be held responsible for any quality guarantee issue for defect products judged as Optrex-origin longer than 2 (two) years from Optrex production or 1(one) year from Optrex, Optrex America, Optrex Europe delivery which ever comes later.



ISSUE	REVISIONS	DRAWN	APPROVED	DATE
△	Change of model name and symbol name.	D.Natsume	R.Yajima	AUG.01'95



DOT DETAIL: SCALE 20/1

PIN ASSIGNMENT

PIN No.	SYMBOL
1	FG
2	V _{SS}
3	V _{DD}
4	V _{CONT}
5	V _{EE}
6	\overline{WR}
7	\overline{RD}
8	\overline{CE}
9	C/ \overline{D}
10	\overline{HALT}
11	\overline{RESET}
12	D0
13	D1
14	D2
15	D3
16	D4
17	D5
18	D6
19	D7
20	NC.
21	EL 1)
22	EL 1)

NOTE 1). FOR EL TYPE ONLY

MEASURE	TOLERANCE			THIRD ANGLE PROJECTION	DATE	OPTREX CORPORATION
	A	B	C		MAR. 16'87	
L ≤ 16	±0.1	±0.3	±1	UNIT mm	APPROVED	TITLE
16 < L ≤ 63	±0.2	±0.5	±1.5		T.Katsuta	DIMENSIONAL OUTLINE
63 < L ≤ 250	±0.3	±0.8	±2	SCALE 1:1	CHECKED	CODE
250 < L ≤ 500	±0.5	±1.2	±3		T.Ohyama	DMF 5001N Series △
500 < L	±0.8	±2	±4	DRAWN	DWG NO	
ANGLE	±1°	±5°	±10°	S.Matsuoka	UE-31324A	