

**Three Terminal 1.5A Adjustable Output Positive Voltage Regulators**

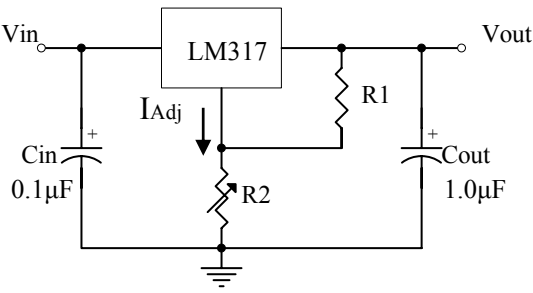
# LM317J3

The LM317J3 is an adjustable 3-terminal positive voltage regulator capable of supplying in excess of 1.5A over an output voltage range of 1.3 V to 37 V. This voltage regulator is exceptionally easy to use and requires only two external resistors to set the output voltage. Further, it employs internal current limiting, thermal shutdown and safe area compensation, making it essentially blow-out proof.

The LM317J3 serves a wide variety of applications including local, on-card regulation. This device can also be used to make a programmable output regulator, or by connecting a fixed resistor between the adjustment and output, the LM317J3 can be used as a precision current regulator.

- Output current up to 1.5 A
- Output voltage adjustable between 1.3 V and 37 V
- Internal over temperature protection
- Internal short circuit protection
- Safe-area compensation for output transistor
- Pb-free package

**Standard Application**



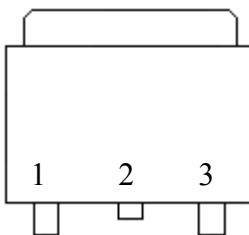
\* Cin is required if regulator is located an appreciate distance from power supply filter.

\* \* Cout is not needed for stability, however, it does improve transient response.

$V_{out} = 1.25(1 + R_2/R_1) + I_{Adj}R_2$

Since  $I_{Adj}$  is controlled to less than 100 µA, the error associated with this term is negligible in most applications.

**Package Information**



Pin	Function
1	ADJ
2	OUTPUT
3	INPUT

TO-252



**Maximum Ratings (Ta=25°C)**

Parameter	Symbol	Ratings	Unit
Input-Output Voltage Differential	$V_I-V_O$	40	V
Power Dissipation	$P_D$	Internally Limited	W
Operating Junction Temperature Range	$T_{OPR}$	0 ~ +125	°C
Storage Temperature Range	$T_{stg}$	-65 ~ +150	°C

**Electrical Characteristics**

( $T_J=0$  to  $125^\circ\text{C}$ ,  $V_I-V_O=5\text{V}$ ,  $I_O=0.5\text{A}$ ,  $I_{MAX}=1.5\text{A}$ ,  $P_{MAX}=20\text{W}$ , unless otherwise noted)

Characteristics	Symbol	Conditions	Min	Typ	Max	Unit
Line Regulation(Note 1)	$\Delta V_{O(\text{line})}$	$T_A=25^\circ\text{C}, 3.0\text{V} \leq V_I-V_O \leq 40\text{V}$	-	0.01	0.04	% / V
		$T_A=0 \sim 125^\circ\text{C}, 3.0\text{V} \leq V_I-V_O \leq 40\text{V}$	-	0.02	0.07	
Load Regulation(Note 1)	$\Delta V_{O(\text{load})}$	$T_A=25^\circ\text{C}$	-	18	25	mV
		$10\text{mA} \leq I_O \leq I_{MAX}$	-	0.4	0.5	% / $V_O$
		$10\text{mA} \leq I_O \leq I_{MAX}$	-	40	70	mV
		$10\text{mA} \leq I_O \leq I_{MAX}$	-	0.8	1.5	% / $V_O$
Adjust Pin Current	$I_{Adj}$		-	46	100	$\mu\text{A}$
Adjust Pin Current Change	$\Delta I_{Adj}$	$2.5\text{V} \leq V_I-V_O \leq 40\text{V}, 10\text{mA} \leq I_O \leq I_{MAX}$ $P_D \leq P_{MAX}$	-	0.2	5.0	$\mu\text{A}$
Reference Voltage	$V_{ref}$	$3.0\text{V} \leq V_I-V_O \leq 40\text{V}, 10\text{mA} \leq I_O \leq I_{MAX}$ $P_D \leq P_{MAX}$	1.2	1.25	1.3	V
Temperature Stability	$T_s$	$0 \leq T_J \leq 125^\circ\text{C}$	-	0.7	-	% / $V_O$
Minimum Load Current to maintain Regulation	$I_{Lmin}$	$V_I-V_O=40\text{V}$	-	3.5	10	mA
Maximum Output Current	$I_{max}$	$V_I-V_O \leq 15\text{V}, P_D \leq P_{MAX}$	1.5	2.2	-	A
		$V_I-V_O \leq 15\text{V}, P_D \leq P_{MAX}, T_A=25^\circ\text{C}$	0.15	0.4	-	
RMS Noise vs % of $V_{OUT}$	eN	$T_A=25^\circ\text{C}, 10\text{Hz} \leq f \leq 10\text{kHz}$	-	0.003	0.01	% / $V_O$
Ripple Rejection(Note 2)	RR	$V_O=10\text{V}, f=120\text{Hz}$	-	60	-	dB
		$V_O=10\text{V}, f=120\text{Hz}, C_{Adj}=10\mu\text{F}$	66	75	-	
Long-Term Stability(Note 3)	ST	$T_A=25^\circ\text{C}, 1000\text{Hrs}$	-	0.3	1.0	%
Junction to Case Thermal Resistance	$R_{\theta JC}$	-	-	5	-	°C / W

- Notes: 1. Load and line regulation are specified at constant junction temperature. Changes in  $V_O$  due to heating effects must be taken into account separately. Pulse testing with low duty cycle is used.  
 2.  $C_{Adj}$ , when used, is connected between the adjustment pin and ground.  
 3. Since long-term stability cannot be measured on each device before shipment, this specification is an engineering estimate of average stability from lot to lot.  
 4. Power dissipation within an IC voltage regulator produces a temperature gradient on the die, affecting individual IC components on the die. These effects can be minimized by proper integrated circuit design and layout techniques. Thermal regulation is the effect of these temperature gradients on the output voltage and is expressed in percentage of output change per watt of power change in a specified time.

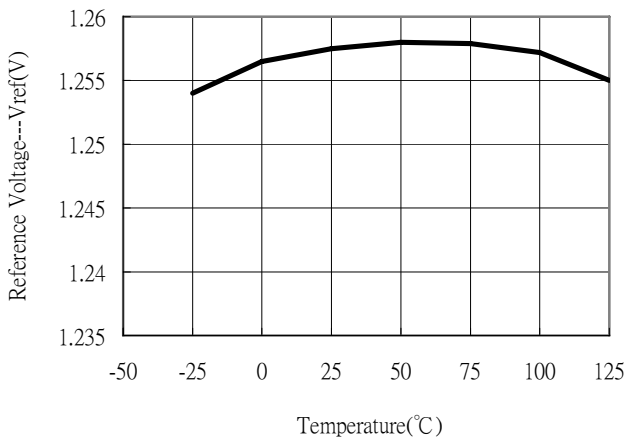


**Ordering Information**

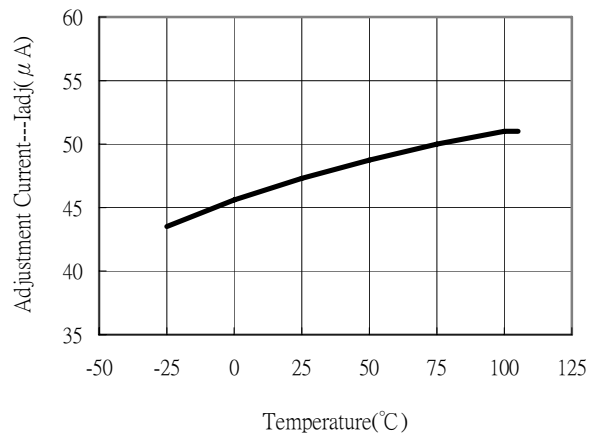
Device	Package	Shipping	Marking
LM317J3	TO-252 (Pb-free)	2500 pcs / Tape & Reel	LM317

**Characteristic Curves**

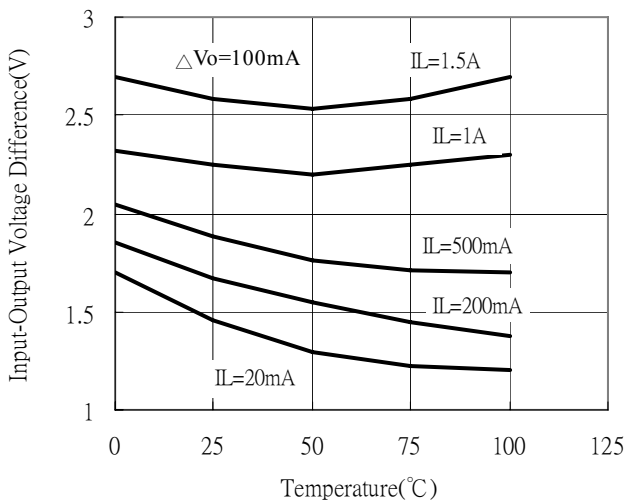
Reference Voltage vs Temperature



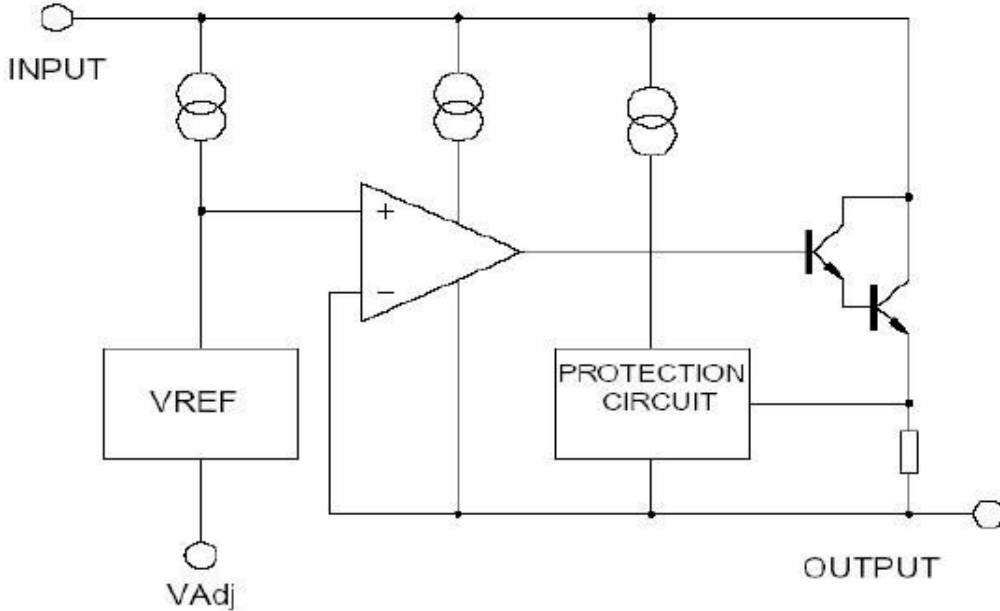
Adjustment Current vs Temperature



Dropout Voltage vs Input-Output Voltage Difference



Representative Schematic Diagram



$$\text{Line Regulation}(\%/V) = \frac{|V_{OH} - V_{OL}|}{|V_{OL}|} \times 100$$

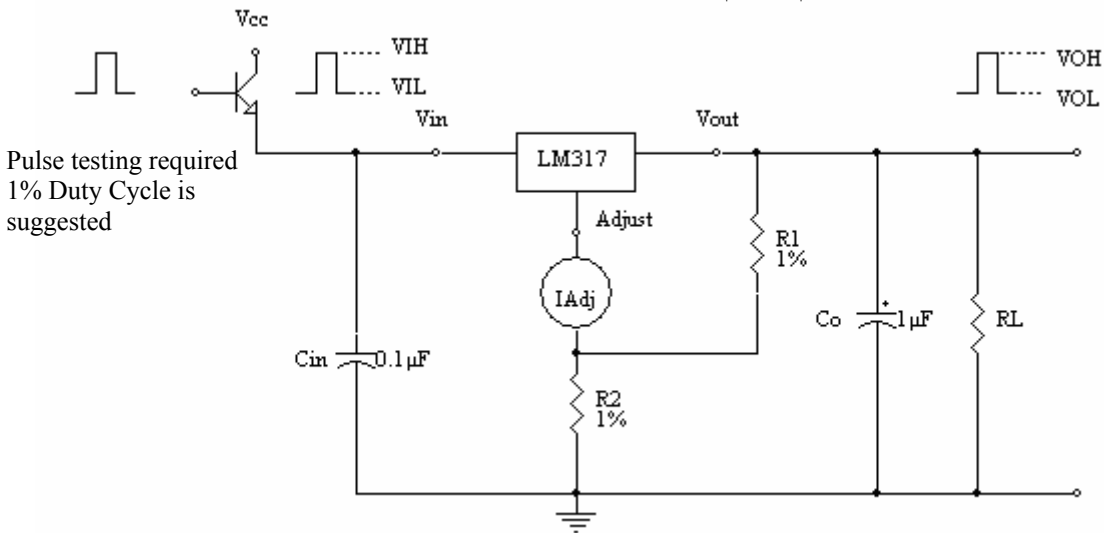
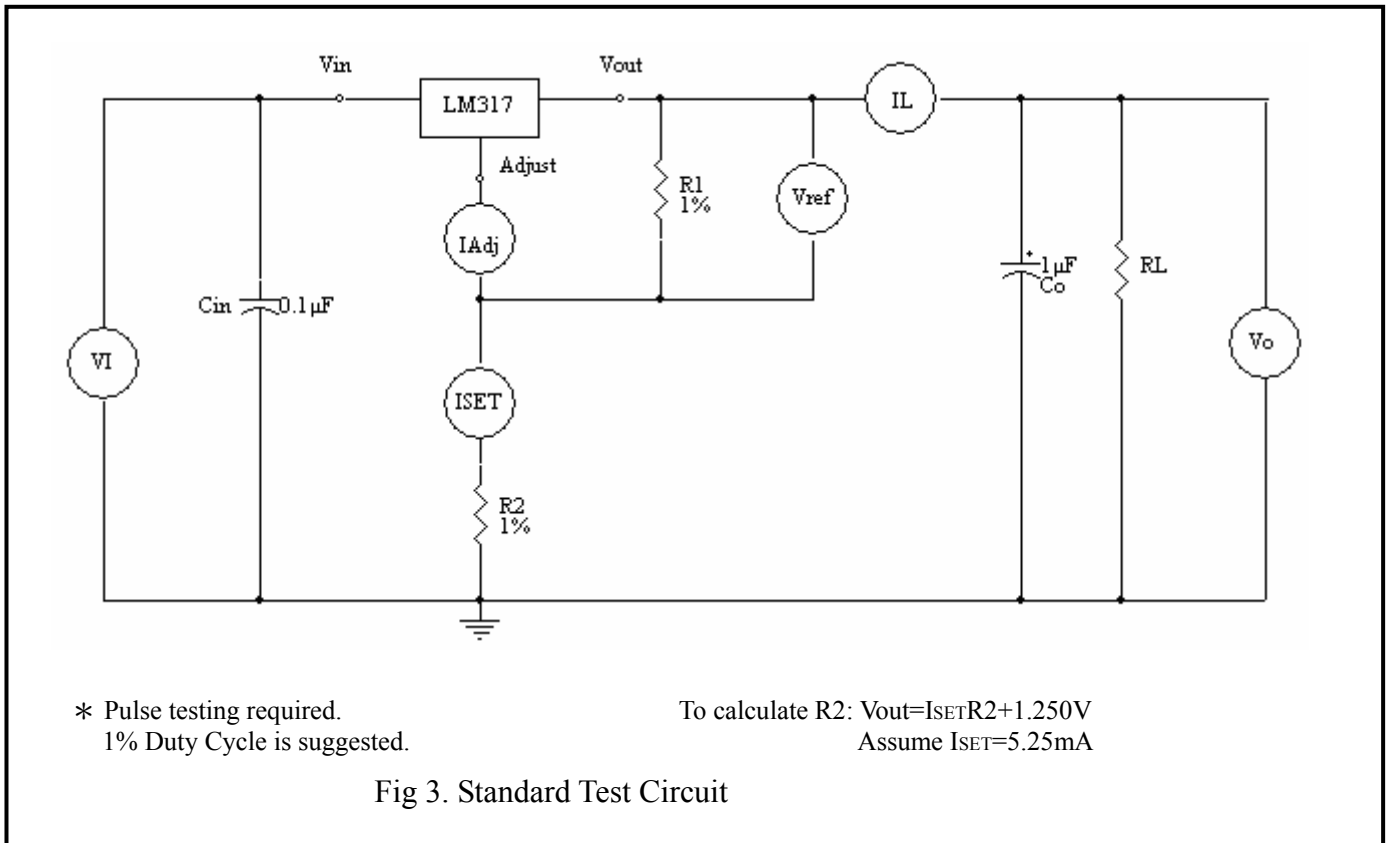
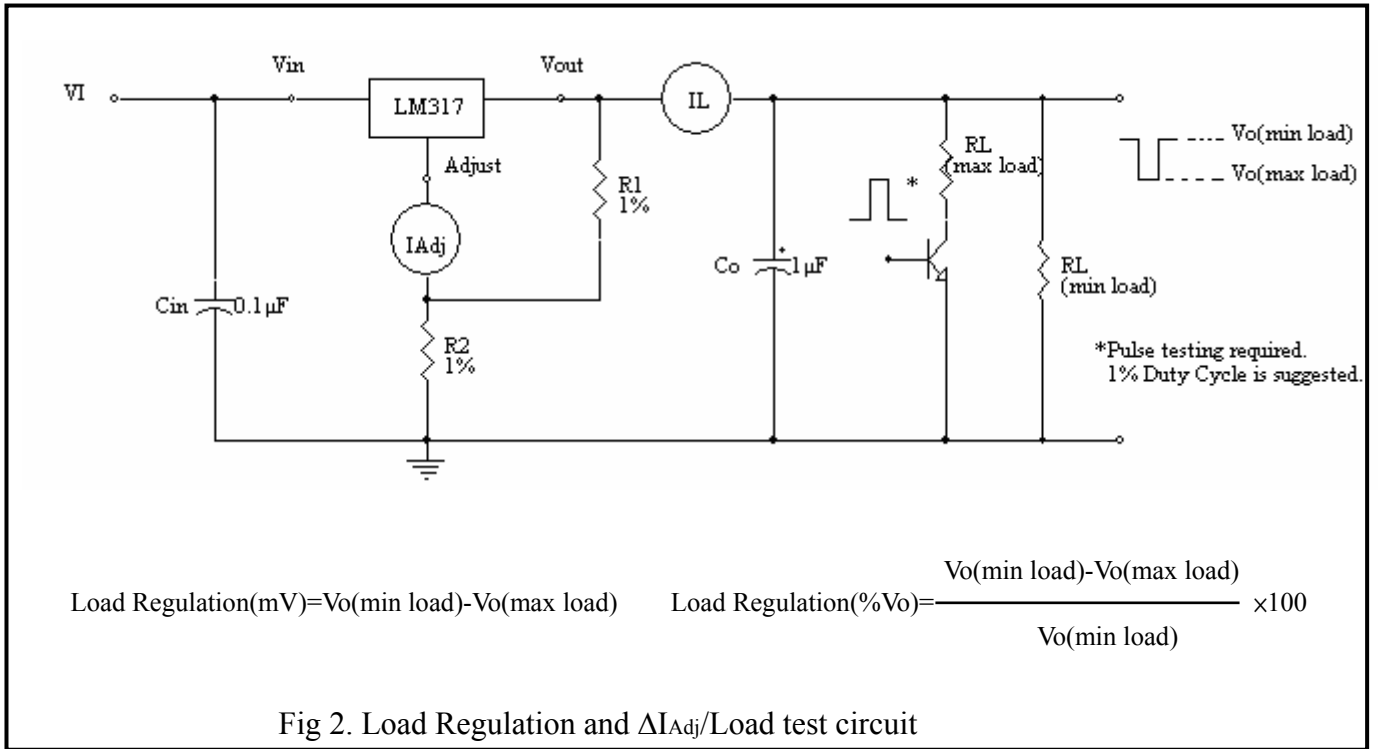


Fig 1. Line Regulation and  $\Delta I_{Adj}$ /Line test circuit



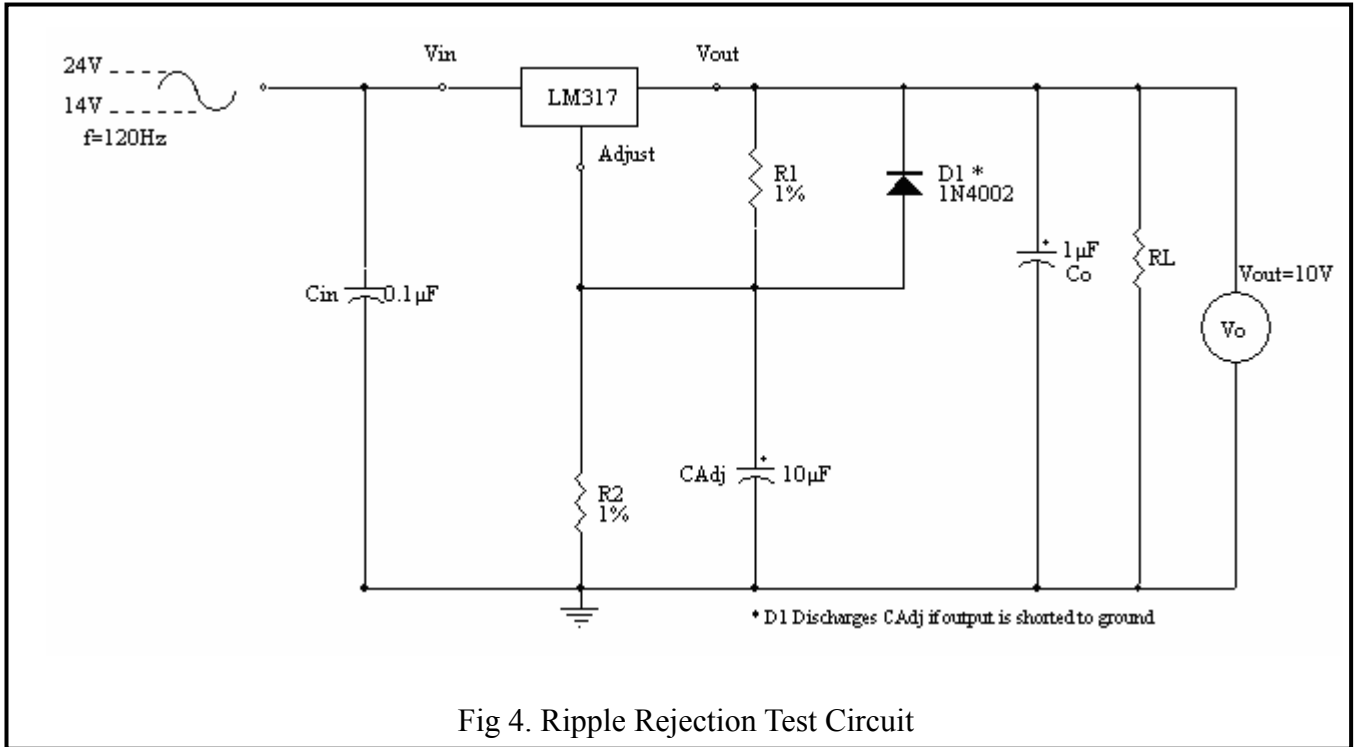


Fig 4. Ripple Rejection Test Circuit

## Application Information

### Basic Circuit Operation

The LM317 is a 3-terminal floating regulator. In operation, the LM317 develops and maintains a nominal 1.25V reference ( $V_{ref}$ ) between its output and adjustment terminals. This reference voltage is converted to a programming current ( $I_{prog}$ ) by  $R_1$  (see Fig 5), and this constant current flows through  $R_2$  to ground. The regulated output voltage is given by:

$$V_{out} = V_{ref} \left( 1 + \frac{R_2}{R_1} \right) + I_{Adj} R_2$$

Since the current from the adjustment terminal ( $I_{Adj}$ ) represents an error term in the equation, the LM317 was designed to control  $I_{Adj}$  to less than 100  $\mu A$  and keep it constant. To do this, all quiescent operating current is returned to the output terminal. This imposes the requirement for a minimum load current. If the load current is less than this minimum, the output voltage will rise.

Since the LM317 is a floating regulator, it is only the voltage differential across the circuit which is important to performance, and operation at high voltages with respect to ground is possible.

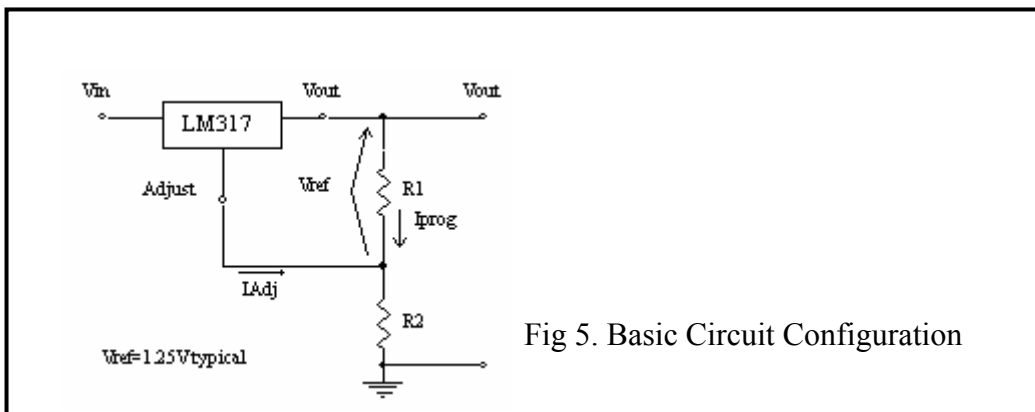


Fig 5. Basic Circuit Configuration

**Load Regulation**

The LM317 is capable of providing extremely good load regulation, but a few precautions are needed to obtain maximum performance. For best performance, the programming resistor (R1) should be connected as close to the regulator as possible to minimize line drops which effectively appear in series with the reference, thereby degrading regulation. The ground end of R2 can be returned near the load ground to provide remote ground sensing and improve load regulation.

**External Capacitors**

A 0.1µF disc or 1.0µF tantalum input bypass capacitor (Cin) is recommended to reduce the sensitivity to input line impedance.

The adjustment terminal may be bypassed to ground to improve ripple rejection. This capacitor (CAdj) prevents ripple from being amplified as the output voltage is increased. A 10µF capacitor should improve ripple rejection about 15 dB at 120 Hz in a 10V application.

Although the LM317 is stable with no output capacitance, like any feedback circuit, certain values of external capacitance can cause excessive ringing. An output capacitance (Co) in the form of a 1.0µF tantalum or 25µF aluminum electrolytic capacitor on the output swamps this effect and insures stability.

**Protection Diodes**

When external capacitors are used with any IC regulator, it is sometimes necessary to add protection diodes to prevent the capacitors from discharging through low current points into the regulator.

Fig 6 shows the LM317 with the recommended protection diodes for output voltages in excess of 25V or high capacitance values (Co>25µF, CAdj>10µF). Diode D1 prevents Co from discharging thru the IC during an input short circuit. Diode D2 protects against capacitor CAdj discharging through the IC during an output short circuit. The combination of diodes D1 and D2 prevents CAdj from discharging through the IC during an input short circuit.

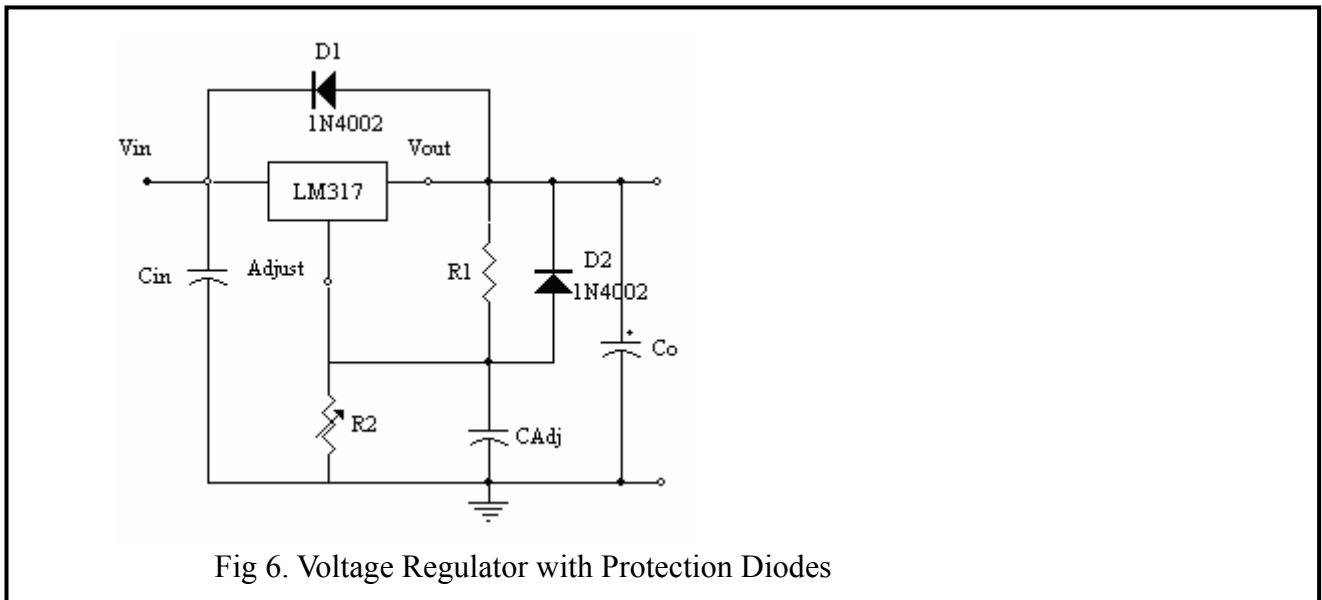


Fig 6. Voltage Regulator with Protection Diodes

**Application Circuits**

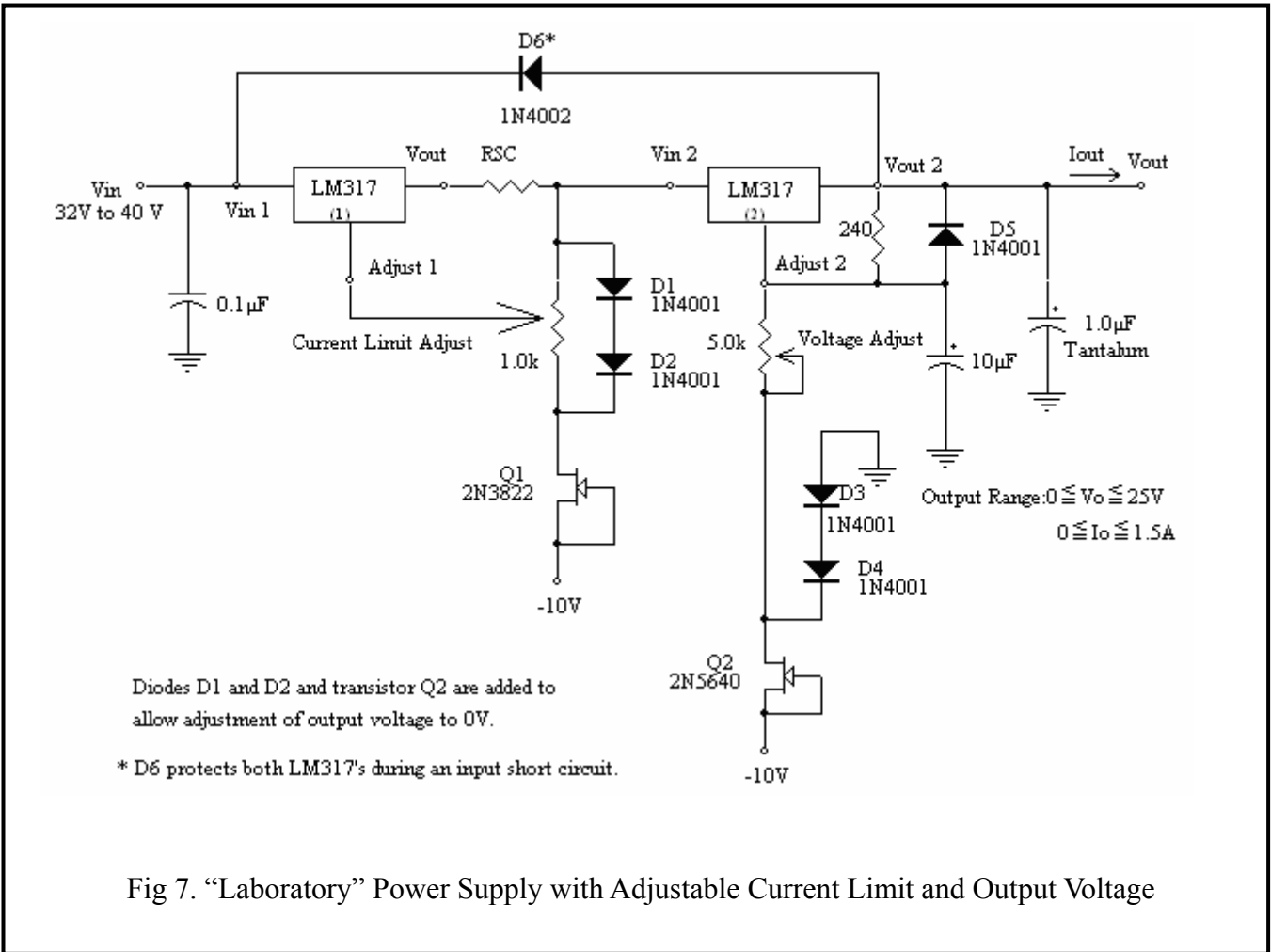


Fig 7. "Laboratory" Power Supply with Adjustable Current Limit and Output Voltage

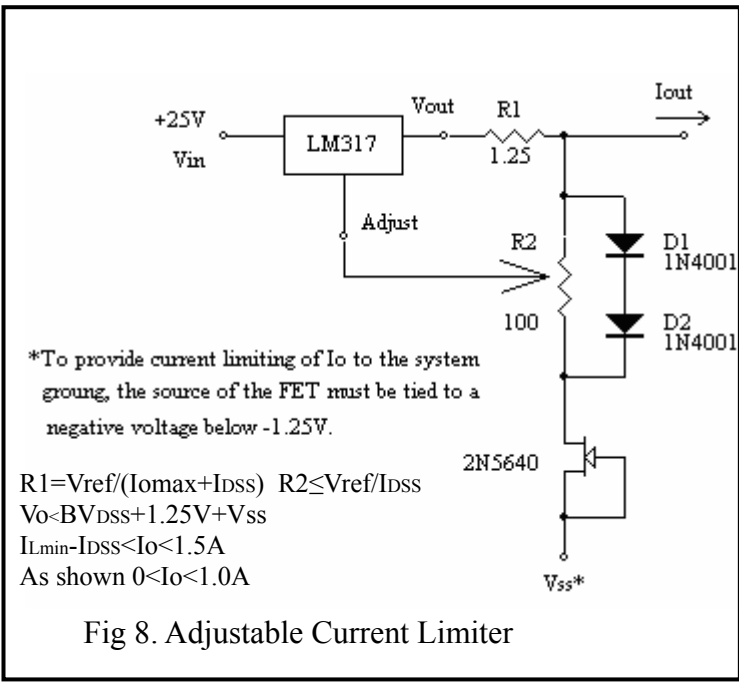


Fig 8. Adjustable Current Limiter

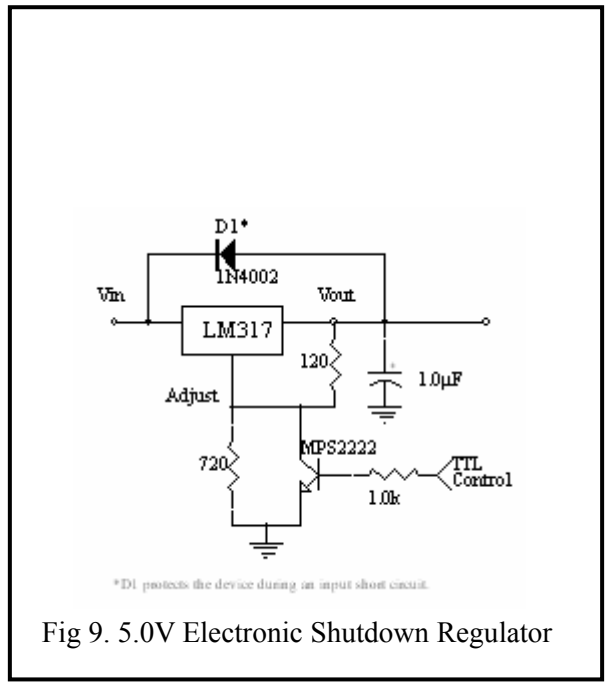
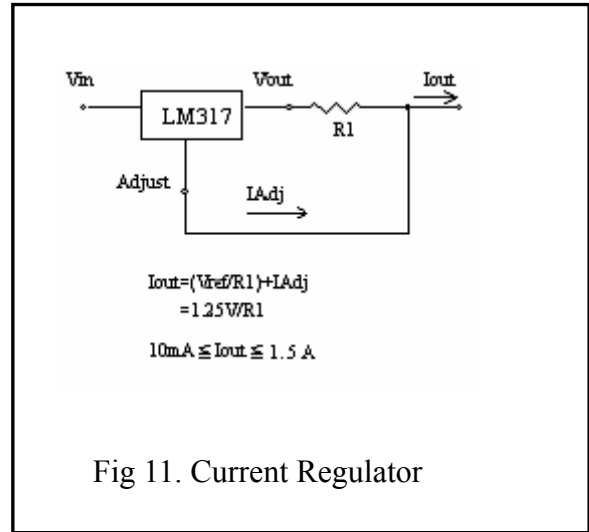
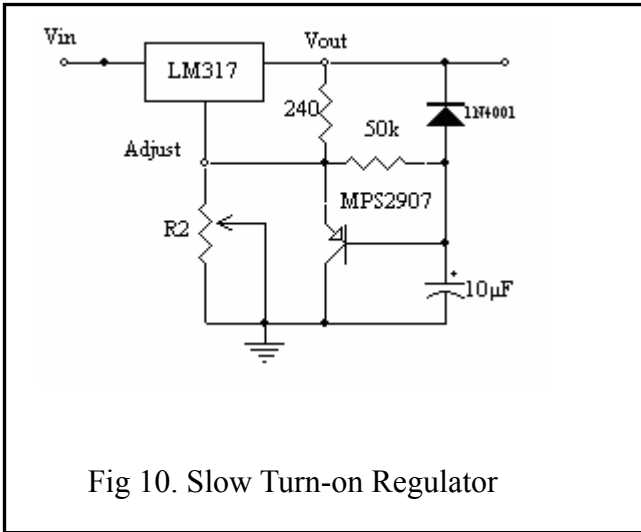
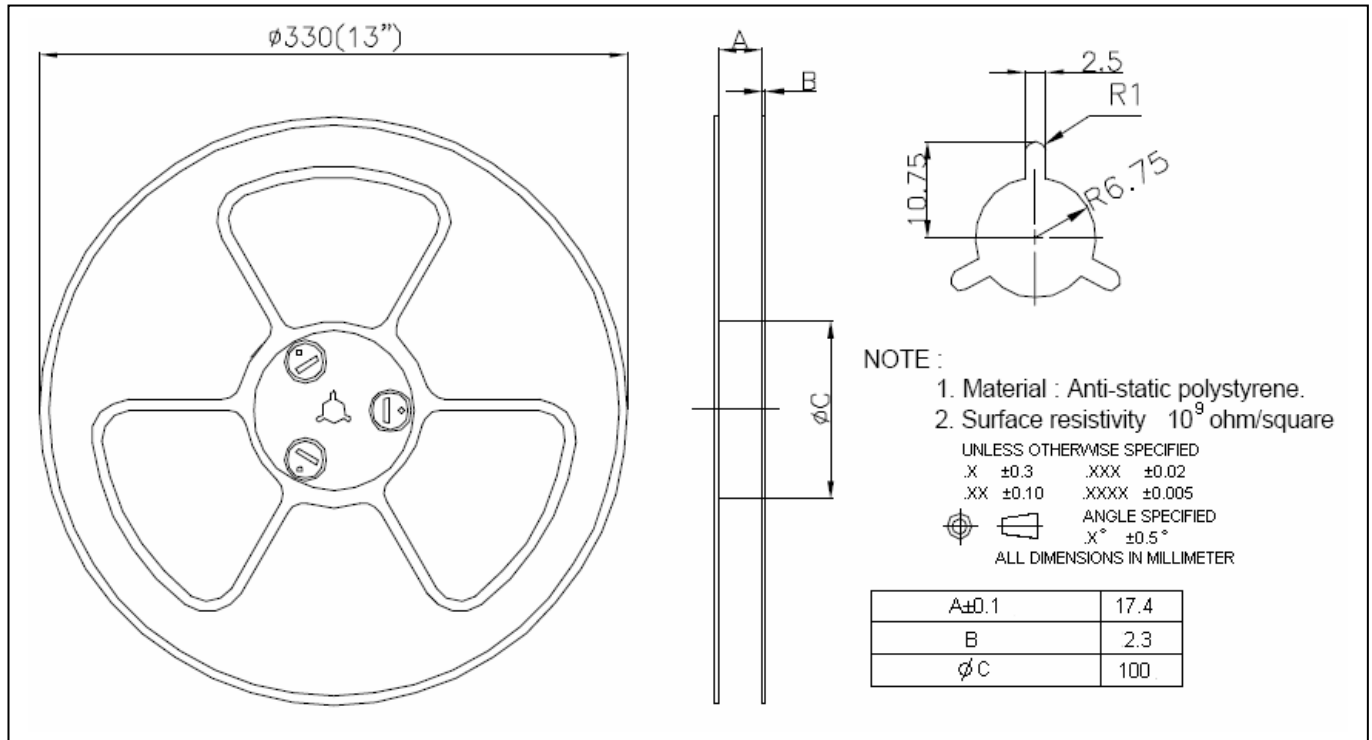


Fig 9. 5.0V Electronic Shutdown Regulator

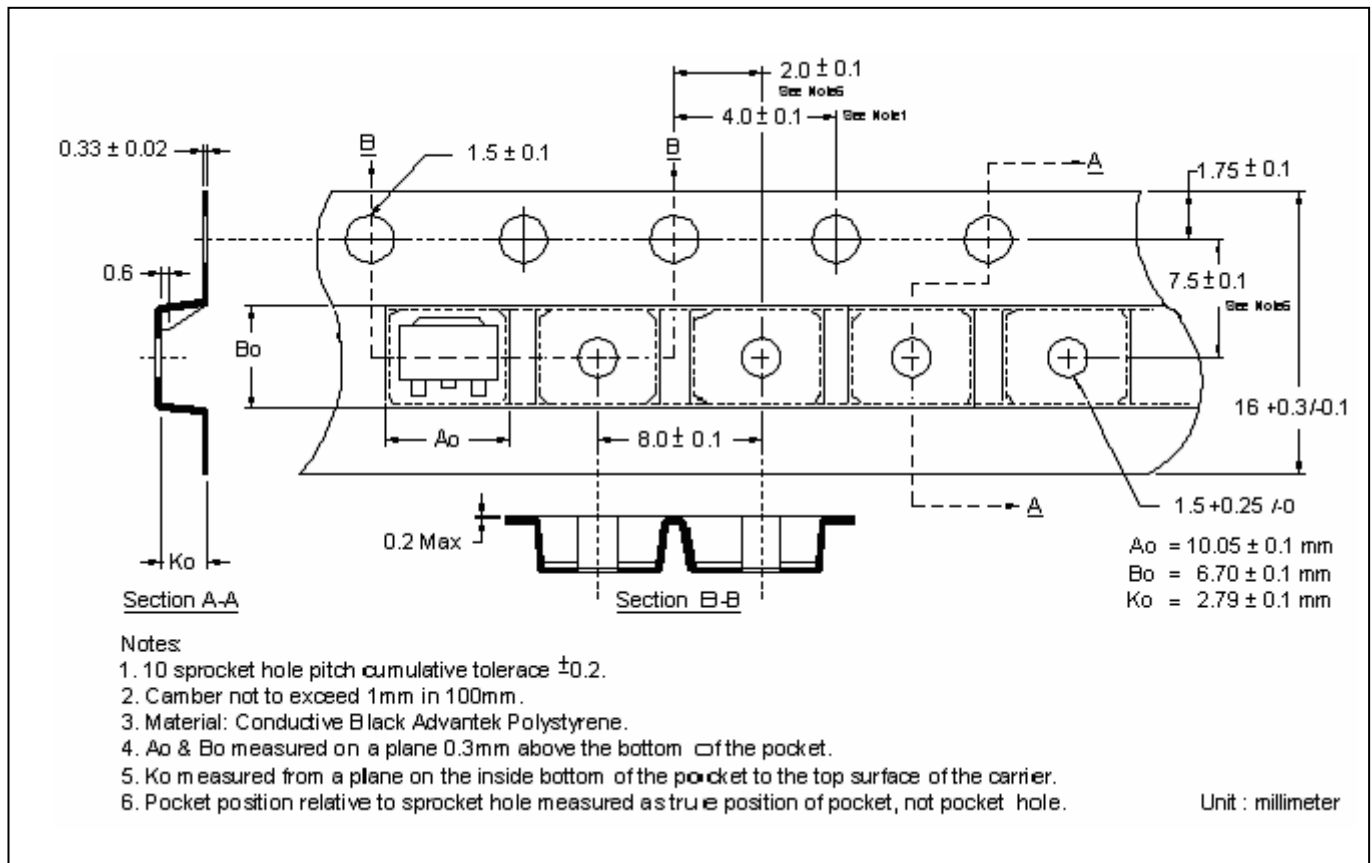




**Reel Dimension**



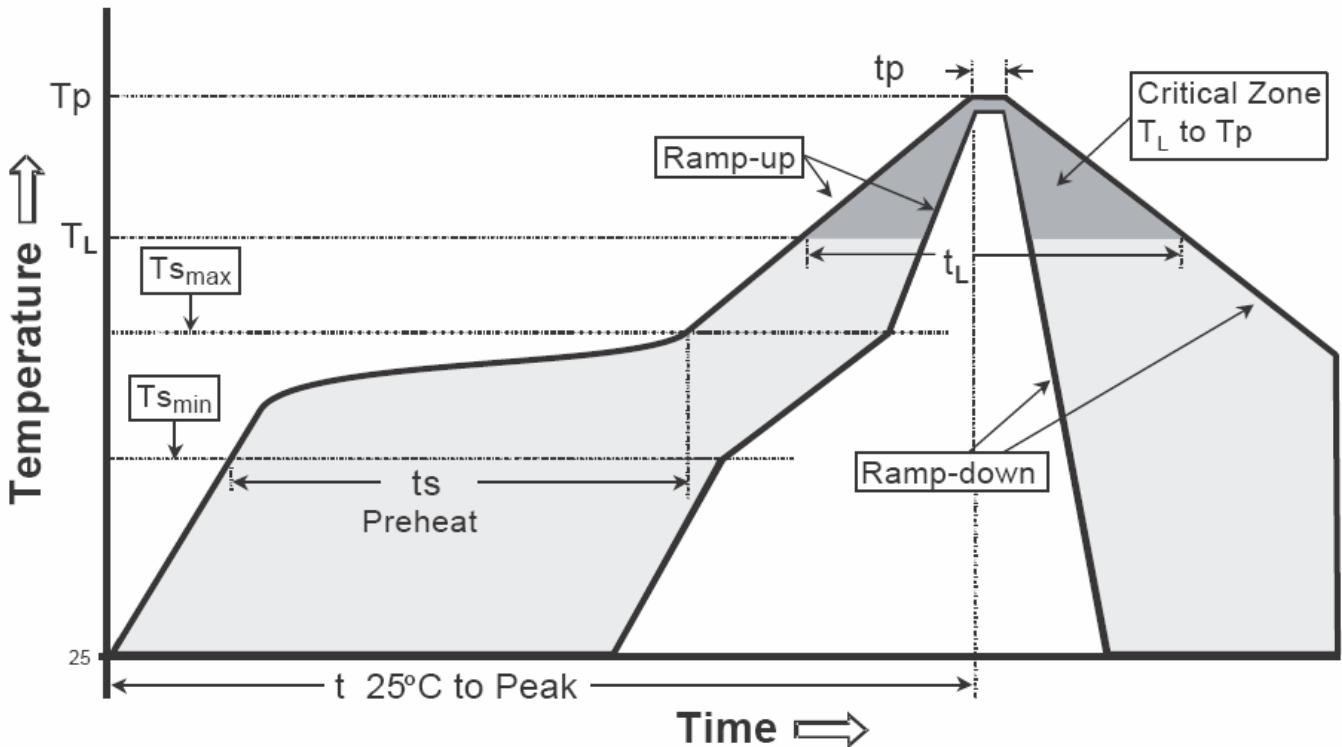
**Carrier Tape Dimension**



**Recommended wave soldering condition**

Product	Peak Temperature	Soldering Time
Pb-free devices	260 +0/-5 °C	5 +1/-1 seconds

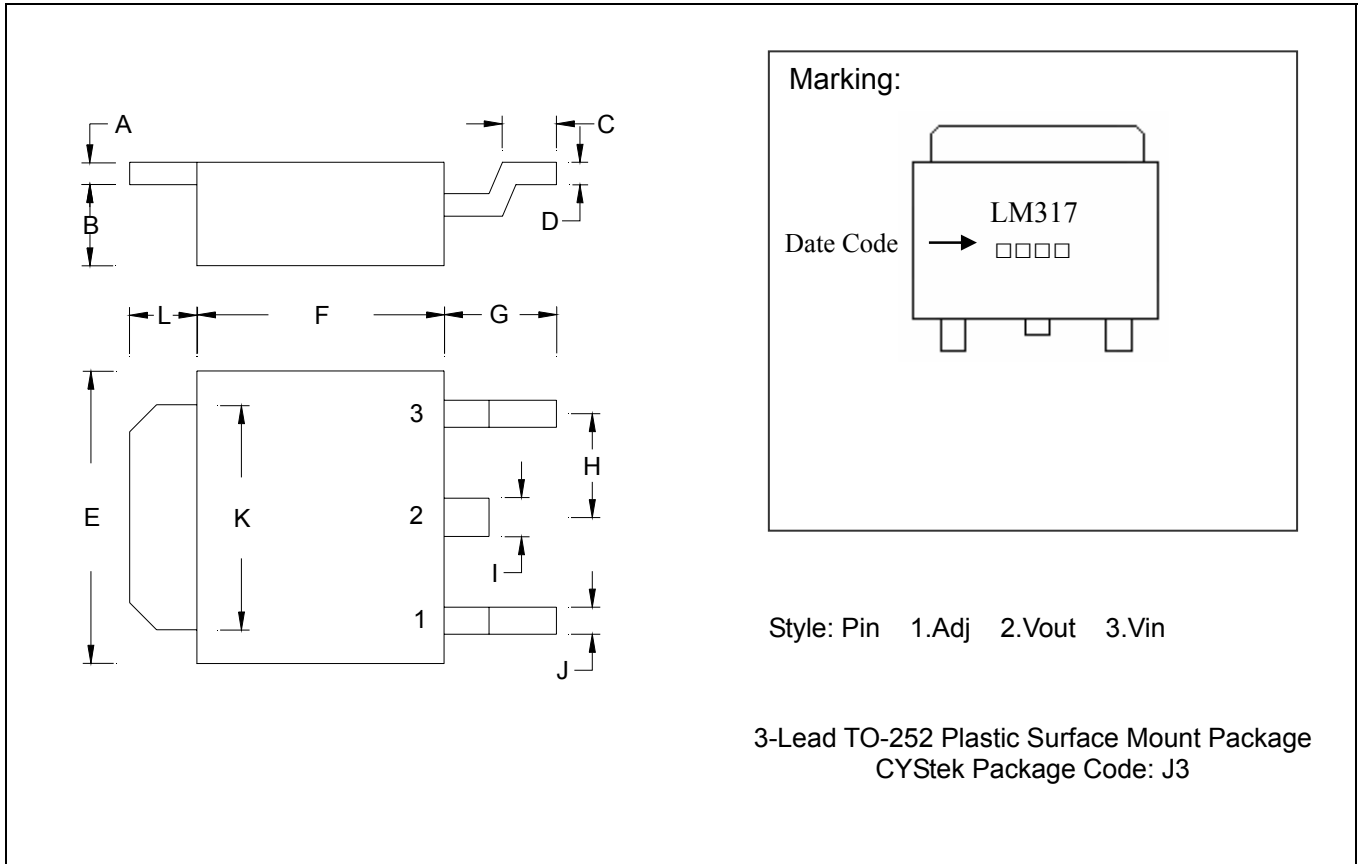
**Recommended temperature profile for IR reflow**



Profile feature	Sn-Pb eutectic Assembly	Pb-free Assembly
Average ramp-up rate (T <sub>smax</sub> to T <sub>p</sub> )	3°C/second max.	3°C/second max.
Preheat		
-Temperature Min(T <sub>s min</sub> )	100°C	150°C
-Temperature Max(T <sub>s max</sub> )	150°C	200°C
-Time(t <sub>s min</sub> to t <sub>s max</sub> )	60-120 seconds	60-180 seconds
Time maintained above:		
-Temperature (T <sub>L</sub> )	183°C	217°C
- Time (t <sub>L</sub> )	60-150 seconds	60-150 seconds
Peak Temperature(T <sub>P</sub> )	240 +0/-5 °C	260 +0/-5 °C
Time within 5°C of actual peak temperature(tp)	10-30 seconds	20-40 seconds
Ramp down rate	6°C/second max.	6°C/second max.
Time 25 °C to peak temperature	6 minutes max.	8 minutes max.

Note : All temperatures refer to topside of the package, measured on the package body surface.

**TO-252 Dimension**



\*: Typical

DIM	Inches		Millimeters		DIM	Inches		Millimeters	
	Min.	Max.	Min.	Max.		Min.	Max.	Min.	Max.
A	0.0177	0.0217	0.45	0.55	G	0.0866	0.1102	2.20	2.80
B	0.0650	0.0768	1.65	1.95	H	-	*0.0906	-	*2.30
C	0.0354	0.0591	0.90	1.50	I	-	0.0354	-	0.90
D	0.0177	0.0236	0.45	0.60	J	-	0.0315	-	0.80
E	0.2520	0.2677	6.40	6.80	K	0.2047	0.2165	5.20	5.50
F	0.2125	0.2283	5.40	5.80	L	0.0551	0.0630	1.40	1.60

Notes: 1.Controlling dimension: millimeters.  
 2.Maximum lead thickness includes lead finish thickness, and minimum lead thickness is the minimum thickness of base material.  
 3.If there is any question with packing specification or packing method, please contact your local CYStek sales office.

**Material:**

- Mold Compound: Epoxy resin family, flammability solid burning class: UL94V-0

**Important Notice:**

- All rights are reserved. Reproduction in whole or in part is prohibited without the prior written approval of CYStek.
- CYStek reserves the right to make changes to its products without notice.
- CYStek **semiconductor products are not warranted to be suitable for use in Life-Support Applications, or systems.**
- CYStek assumes no liability for any consequence of customer product design, infringement of patents, or application assistance.