

PRELIMINARY

NEC NEC LCD Technologies, Ltd.

TFT COLOR LCD MODULE

NL10276BC20-18

26cm (10.4 Type)

XGA

LVDS interface (1port)

PRELIMINARY DATA SHEET 

DOD-PP-0728 (2nd edition)

This PRELIMINARY DATA SHEET is updated document from DOD-PP-0598(1).

All information is subject to change without notice. Please confirm the sales representative before starting to design your system.

INTRODUCTION

The Copyright to this document belongs to NEC LCD Technologies, Ltd. (hereinafter called "NEC"). No part of this document will be used, reproduced or copied without prior written consent of NEC.

NEC does and will not assume any liability for infringement of patents, copyrights or other intellectual property rights of any third party arising out of or in connection with application of the products described herein except for that directly attributable to mechanisms and workmanship thereof. No license, express or implied, is granted under any patent, copyright or other intellectual property right of NEC.

Some electronic parts/components would fail or malfunction at a certain rate. In spite of every effort to enhance reliability of products by NEC, the possibility of failures and malfunction might not be avoided entirely. To prevent the risks of damage to death, human bodily injury or other property arising out thereof or in connection therewith, each customer is required to take sufficient measures in its safety designs and plans including, but not limited to, redundant system, fire-containment and anti-failure.

The products are classified into three quality grades: "**Standard**", "**Special**", and "**Specific**" of the highest grade of a quality assurance program at the choice of a customer. Each quality grade is designed for applications described below. Any customer who intends to use a product for application other than that of Standard quality grade is required to contact an NEC sales representative in advance.

The **Standard** quality grade applies to the products developed, designed and manufactured in accordance with the NEC standard quality assurance program, which are designed for such application as any failure or malfunction of the products (sets) or parts/components incorporated therein a customer uses are, directly or indirectly, free of any damage to death, human bodily injury or other property, like general electronic devices.

Examples: Computers, office automation equipment, communications equipment, test and measurement equipment, audio and visual equipment, home electronic appliances, machine tools, personal electronic equipment, industrial robots, etc.

The **Special** quality grade applies to the products developed, designed and manufactured in accordance with an NEC quality assurance program stricter than the standard one, which are designed for such application as any failure or malfunction of the products (sets) or parts/components incorporated therein a customer uses might directly cause any damage to death, human bodily injury or other property, or such application under more severe condition than that defined in the Standard quality grade without such direct damage.

Examples: Control systems for transportation equipment (automobiles, trains, ships, etc.), traffic control systems, anti-disaster systems, anti-crime systems, medical equipment not specifically designed for life support, safety equipment, etc.

The **Specific** quality grade applies to the products developed, designed and manufactured in accordance with the standards or quality assurance program designated by a customer who requires an extremely higher level of reliability and quality for such products.

Examples: Military systems, aircraft control equipment, aerospace equipment, nuclear reactor control systems, medical equipment/devices/systems for life support, etc.

The quality grade of this product is the "**Standard**" unless otherwise specified in this document.

PRELIMINARY

CONTENTS

| | |
|--|----|
| INTRODUCTION | 2 |
| 1. OUTLINE | 4 |
| 1.1 STRUCTURE AND PRINCIPLE | 4 |
| 1.2 APPLICATION | 4 |
| 1.3 FEATURES | 4 |
| 2. GENERAL SPECIFICATIONS | 5 |
| 3. BLOCK DIAGRAM | 6 |
| 4. DETAILED SPECIFICATIONS | 8 |
| 4.1 MECHANICAL SPECIFICATIONS | 8 |
| 4.2 ABSOLUTE MAXIMUM RATINGS | 8 |
| 4.3 ELECTRICAL CHARACTERISTICS | 9 |
| 4.3.1 LCD panel signal processing board | 9 |
| 4.3.2 Backlight | 10 |
| 4.3.3 Power supply voltage ripple | 10 |
| 4.3.4 Fuse | 10 |
| 4.4 POWER SUPPLY VOLTAGE SEQUENCE | 11 |
| 4.4.1 LCD panel signal processing board | 11 |
| 4.4.2 LED lighting circuit | 11 |
| 4.5 CONNECTIONS AND FUNCTIONS FOR INTERFACE PINS | 12 |
| 4.5.1 LCD panel signal processing board | 12 |
| 4.5.2 Backlight lamp | 13 |
| 4.5.3 Positions of plug and socket | 13 |
| 4.5.4 Connection between receiver and transmitter for LVDS | 14 |
| 4.5.5 Input data mapping | 17 |
| 4.6 DISPLAY COLORS AND INPUT DATA SIGNALS | 18 |
| 4.6.1 Combinations between input data signals, FRC signal and MSL signal | 18 |
| 4.6.2 16,777,216 colors | 19 |
| 4.6.3 262,144 colors | 20 |
| 4.7 DISPLAY POSITIONS | 21 |
| 4.8 SCANNING DIRECTIONS | 21 |
| 4.9 INPUT SIGNAL TIMINGS | 22 |
| 4.9.1 Outline of input signal timings | 22 |
| 4.9.2 Timing characteristics | 23 |
| 4.9.3 Input signal timing chart | 24 |
| 4.10 OPTICS | 25 |
| 4.10.1 Optical characteristics | 25 |
| 4.10.2 Definition of contrast ratio | 26 |
| 4.10.3 Definition of luminance uniformity | 26 |
| 4.10.4 Definition of response times | 26 |
| 4.10.5 Definition of viewing angles | 26 |
| 5. ESTIMATED LUMINANCE LIFETIME | 27 |
| 6. RELIABILITY TESTS | 28 |
| 7. PRECAUTIONS | 29 |
| 7.1 MEANING OF CAUTION SIGNS | 29 |
| 7.2 CAUTIONS | 29 |
| 7.3 ATTENTIONS | 29 |
| 7.3.1 Handling of the product | 29 |
| 7.3.2 Environment | 30 |
| 7.3.3 Characteristics | 30 |
| 7.3.4 Other | 30 |
| 8. OUTLINE DRAWINGS | 31 |
| 8.1 FRONT VIEW | 31 |
| 8.2 REAR VIEW | 32 |
| REVISION HISTORY | 33 |

1. OUTLINE

1.1 STRUCTURE AND PRINCIPLE

Color LCD module NL10276BC20-18 is composed of the amorphous silicon thin film transistor liquid crystal display (a-Si TFT LCD) panel structure with driver LSIs for driving the TFT (Thin Film Transistor) array and a backlight.

The a-Si TFT LCD panel structure is injected liquid crystal material into a narrow gap between the TFT array glass substrate and a color-filter glass substrate.

Color (Red, Green, Blue) data signals from a host system (e.g. signal generator, etc.) are modulated into best form for active matrix system by a signal processing board, and sent to the driver LSIs which drive the individual TFT arrays.

The TFT array as an electro-optical switch regulates the amount of transmitted light from the backlight assembly, when it is controlled by data signals. Color images are created by regulating the amount of transmitted light through the TFT array of red, green and blue dots.

1.2 APPLICATION

- For industrial use

1.3 FEATURES

- Wide Viewing Angle,
- High Contrast
- Wide temperature range
- LVDS interface
- Reversible-scan direction
- Selectable 8bit or 6bit digital signals for data of RGB
- LED backlight type
- Replaceable lamp holder for backlight

2. GENERAL SPECIFICATIONS

| | |
|-----------------------------------|---|
| Display area | 210.432 (H) × 157.824 (V) mm |
| Diagonal size of display | 26cm (10.4 inches) |
| Drive system | a-Si TFT active matrix |
| Display color | 16,777,216 colors (At 8-bit input, FRC terminal= High) 262,144 colors (At 6-bit input, FRC terminal= Low or Open) |
| Pixel | 1,024 (H) × 768 (V) pixels |
| Pixel arrangement | RGB (Red dot, Green dot, Blue dot) vertical stripe |
| Dot pitch | 0.0685 (H) × 0.2055 (V) mm |
| Pixel pitch | 0.2055 (H) × 0.2055 (V) mm |
| Module size | 228.0 (W) × 178.5 (H) × 8.7 (D) mm (typ.) |
| Weight | 380 g (typ.) |
| Contrast ratio | (1,000: 1) (typ.) |
| Viewing angle | At the contrast ratio $\geq 10:1$ <ul style="list-style-type: none"> • Horizontal: Right side 80° (typ.), Left side 80° (typ.) • Vertical: Up side 80° (typ.), Down side 80° (typ.) |
| Designed viewing direction | At DPS= Low or Open: Normal scan <ul style="list-style-type: none"> • Viewing direction without image reversal: up side (12 o'clock) • Viewing direction with contrast peak: down side (6 o'clock) • Viewing angle with optimum grayscale ($\gamma=2.2$): normal axis (perpendicular) |
| Polarizer surface | Clear |
| Polarizer pencil-hardness | 3H (min.) [by JIS K5400] |
| Color gamut | At LCD panel center 40 % (typ.) [against NTSC color space] |
| Response time | Ton+Toff (10%←→90%) 18 ms (typ.) |
| Luminance | At IL= 60mA/ one circuit (400) cd/m ² (typ.) |
| Signal system | LVDS 1port (Receiver: THC63LVDF84B, THine Electronics Inc. or equivalent) 8bit/6bit digital signals for data of RGB colors, Dot clock (CLK), Data enable (DE) |
| Power supply voltage | LCD panel signal processing board: 3.3V |
| Backlight | LED backlight type: (Replaceable part • Lamp holder set: Type No. TBD) |
| Power consumption | At IL= 60mA/ one circuit, Checkered flag pattern 5.0 W (typ.) |

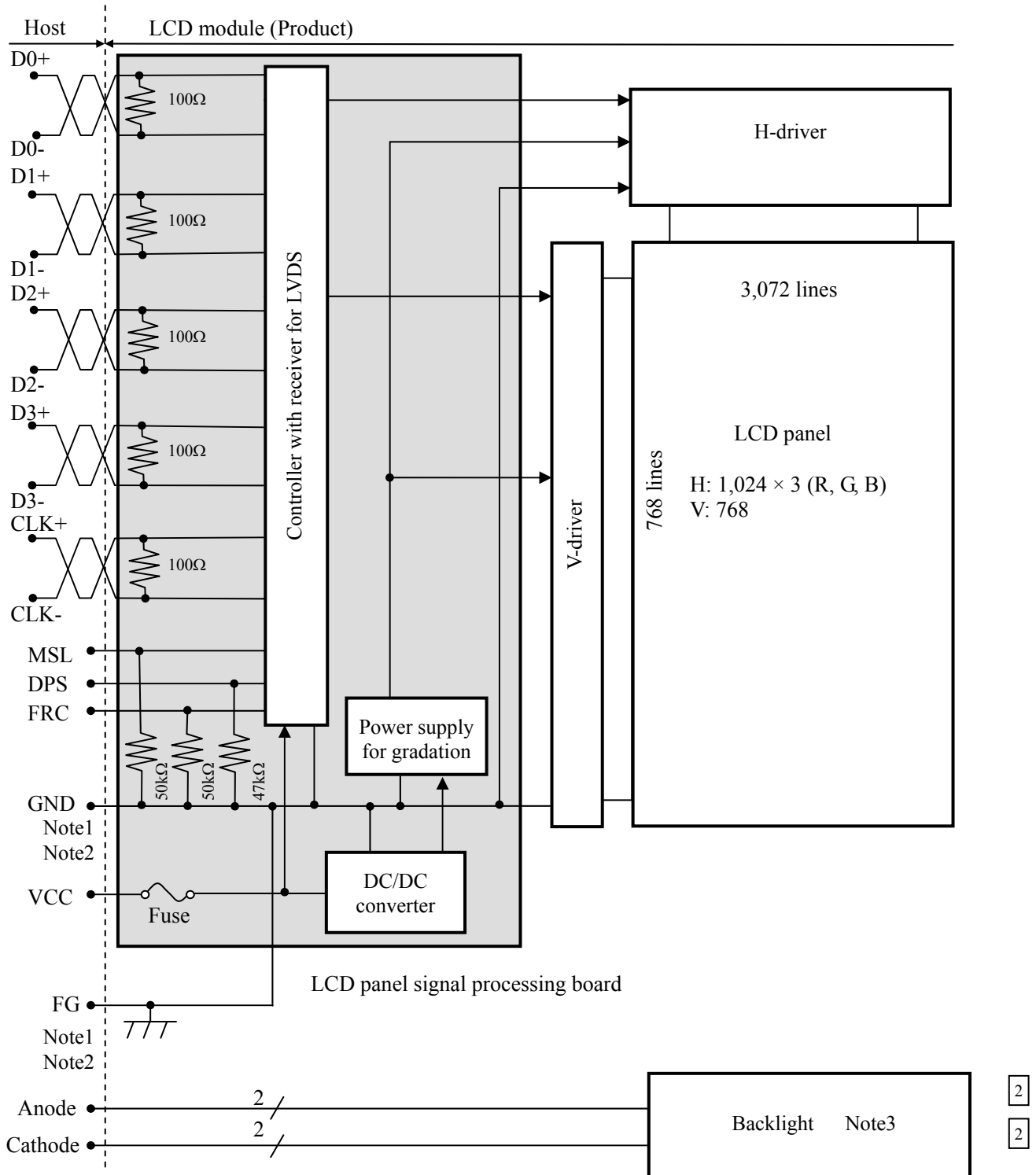
2

2

2

2

3. BLOCK DIAGRAM



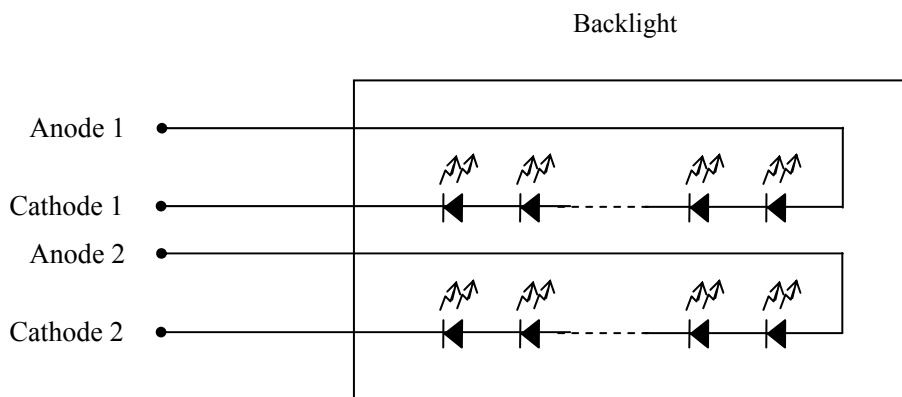
Note1: Relations between GND (Signal ground), FG (Frame ground) in the LCD module are as follows.

| | |
|----------|-----------|
| GND - FG | Connected |
|----------|-----------|

Note2: GND and FG must be connected to customer equipment's ground, and it is recommended that these grounds are connected together in customer equipment.

PRELIMINARY

Note3: Backlight in detail



4. DETAILED SPECIFICATIONS

4.1 MECHANICAL SPECIFICATIONS

| Parameter | Specification | Unit |
|--------------|--|------|
| Module size | 228.0 ± 0.5 (W) × 178.5 ± 0.5 (H) × 8.7 ± 0.5 (D) Note1 | mm |
| Display area | 210.432 (H) × 157.824 (V) Note1 | mm |
| Weight | 380 (typ.), 400 (max.) | g |

Note1: See "8. OUTLINE DRAWINGS".

4.2 ABSOLUTE MAXIMUM RATINGS

| Parameter | | Symbol | Rating | Unit | Remarks |
|----------------------------|-----------------------------------|--------|-----------------|------------------|------------------|
| Power supply voltage | LCD panel signal processing board | VCC | -0.3 to +4.0 | V | Ta = 25°C |
| Input voltage for signals | Display signals Note1 | VD | -0.3 to VCC+0.3 | V | |
| | Function signals Note2 | VF | | | |
| Backlight | Power dissipation | PD | TBD | W | per one circuit |
| | Forward current | IL | TBD | mA | per one circuit |
| Storage temperature | | Tst | -30 to +80 | °C | - |
| Operating temperature | Front surface | TopF | -20 to +70 | °C | Note3 |
| | Rear surface | TopR | -20 to +70 | °C | Note4 |
| Relative humidity Note5 | | RH | ≤ 95 | % | Ta ≤ 40°C |
| | | | ≤ 85 | % | 40°C < Ta ≤ 50°C |
| | | | ≤ 55 | % | 50°C < Ta ≤ 60°C |
| | | | ≤ 36 | % | 60°C < Ta ≤ 70°C |
| Absolute humidity Note5 | | AH | ≤ 70 Note6 | g/m ³ | Ta > 70°C |

Note1: D0+/-, D1+/-, D2+/-, D3+/-, CLK+/-

Note2: DPS, FRC, MSL

Note3: Measured at center of LCD panel surface (including self-heat)

Note4: Measured at center of LCD module's rear shield surface (including self-heat)

Note5: No condensation

Note6: Water amount at Ta = 70°C and RH = 36%

PRELIMINARY

4.3 ELECTRICAL CHARACTERISTICS

4.3.1 LCD panel signal processing board

(Ta = 25°C)

| Parameter | Symbol | min. | typ. | max. | Unit | Remarks | |
|--|--------|------|--------------|--------------|--------|---------------|----------------------|
| Power supply voltage | VCC | 3.0 | 3.3 | 3.6 | V | - | |
| Power supply current | ICC | - | 400 Note1 | 730 Note2 | mA | at VCC = 3.3V | |
| Permissible ripple voltage | VRP | - | - | 100 | mVp-p | for VCC | |
| Differential input threshold voltage for LVDS receiver | High | VTH | - | - | +100 | mV | at VCM=1.2V Note3 |
| | Low | VTL | -100 | - | - | mV | |
| Terminating resistance | RT | - | 100 | - | Ω | - | |
| Input voltage for DPS, FRC and MSL signals | High | VFH | 0.7VCC | - | VCC | V | CMOS level |
| | Low | VFL | 0 | - | 0.3VCC | V | |
| Input current for FRC and MSL signals | High | IFH | - | - | 300 | μA | - |
| | Low | IFL | -300 | - | - | μA | |

Note1: Checkered flag pattern [by EIAJ ED-2522]

Note2: Pattern for maximum current

Note3: Common mode voltage for LVDS receiver

2

4.3.2 Backlight

(Ta= 25°C, Note1)

| Parameter | Symbol | min. | typ. | max. | Unit | Remarks |
|-----------------|--------|------|------|------|------|-------------|
| Forward current | IL | - | 60 | TBD | mA | - |
| Forward voltage | VL | - | 30.4 | 35.1 | V | at IL= 60mA |

Note1: Please drive with constant current.

Note2: The Luminance uniformity may be changed depending on the current variation between 2 circuits.
It is recommended that the current value difference between each circuit is less than 5%.

2

2

2

4.3.3 Power supply voltage ripple

This product works, even if the ripple voltage levels are beyond the permissible values as following the table, but there might be noise on the display image.

| Power supply voltage | Ripple voltage (Measure at input terminal of power supply) | Note1 | Unit |
|----------------------|---|-------|-------|
| VCC | 3.3V | ≤ 100 | mVp-p |

Note1: The permissible ripple voltage includes spike noise.

4.3.4 Fuse

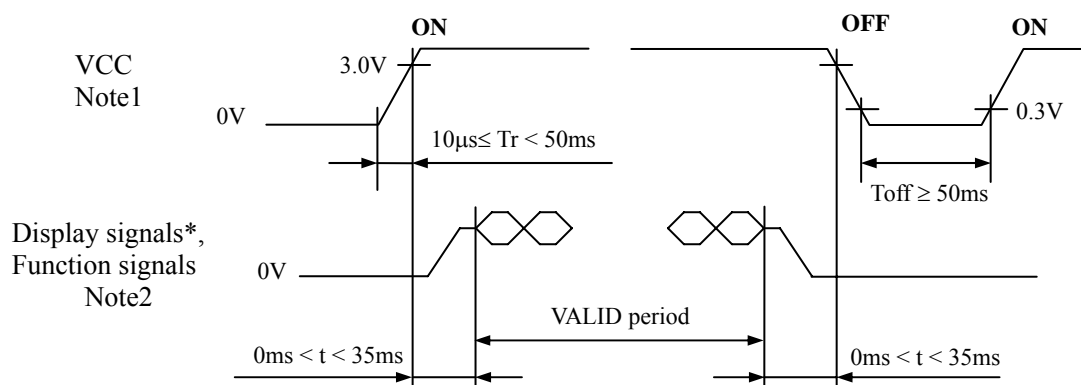
| Parameter | Fuse | | Rating | Fusing current | Remarks |
|-----------|------------|------------------------------|--------|----------------|---------|
| | Type | Supplier | | | |
| VCC | FCC16202AB | KAMAYA ELECTRIC Co., Ltd. | 2.0 A | 4.0 A | Note1 |
| | | | 32 V | | |

Note1: The power supply capacity should be more than the fusing current. If it is less than the fusing current, the fuse may not blow in a short time, and then nasty smell, smoke and so on may occur.

2

4.4 POWER SUPPLY VOLTAGE SEQUENCE

4.4.1 LCD panel signal processing board



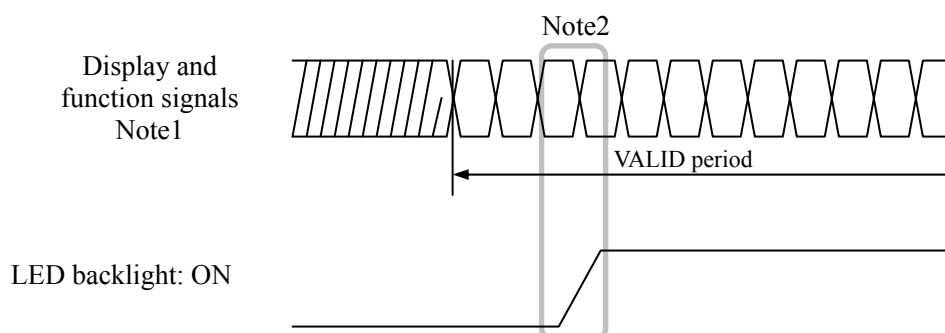
* These signals should be measured at the terminal of 100Ω resistance.

Note1: In terms of voltage variation (voltage drop) while VCC rising edge is below 3.0V, a protection circuit may work, and then this product may not work.

Note2: Display signals (D0+/-, D1+/-, D2+/-, D3+/-, CLK+/-) and function signals (DPS, FRC, MSL) must be Low or High-impedance, exclude the VALID period (See above sequence diagram), in order to avoid that internal circuits is damaged.

If some of display and function signals of this product are cut while this product is working, even if the signal input to it once again, it might not work normally. If customer stops the display and function signals, they should be cut VCC.

4.4.2 LED lighting circuit



Note1: These are the display and function signals for LCD panel signal processing board.

Note2: The backlight should be turned on within the valid period of display and function signals, in order to avoid unstable data display.

4.5 CONNECTIONS AND FUNCTIONS FOR INTERFACE PINS

4.5.1 LCD panel signal processing board

CN1 socket (LCD module side): FI-SE20P-HFE (Japan Aviation Electronics Industry Limited (JAE))
 Adaptable plug: FI-S20S (Japan Aviation Electronics Industry Limited (JAE))

| Pin No. | Symbol | Signal | Input data signal: 8bit | | Input data signal: 6bit | Remarks | |
|---------|--------|-----------------------------------|-------------------------|-----------------------------|-------------------------|---------|----------------|
| | | | MAP A | MAP B | | | |
| 1 | A | D3+ | Pixel data | R0-R1,G0-G1,B0-B1 | R6-R7,G6-G7,B6-B7 | - | Note1, Note2 |
| | B | GND | Ground | - | | Ground | Note3 |
| 2 | A | D3- | Pixel data | R0-R1,G0-G1,B0-B1 | R6-R7,G6-G7,B6-B7 | - | Note1, Note2 |
| | B | GND | Ground | - | | Ground | Note3 |
| 3 | DPS | Selection of scan direction | High : Low or Open : | Reverse scan Normal scan | | | Note4 |
| 4 | FRC | Selection of the number of colors | High | | Low or Open | | Note1 Note5 |
| 5 | GND | Ground | Ground | | | | Note3 |
| 6 | CLK+ | Pixel clock | Pixel clock | | | | Note2 |
| 7 | CLK- | | | | | | |
| 8 | GND | Ground | Ground | | | | Note3 |
| 9 | D2+ | Pixel data | B4-B7,DE | B2-B5,DE | | | Note2 |
| 10 | D2- | | | | | | |
| 11 | GND | Ground | Ground | | | | Note3 |
| 12 | D1+ | Pixel data | G3-G7,B2-B3 | G1-G5,B0-B1 | | | Note2 |
| 13 | D1- | | | | | | |
| 14 | GND | Ground | Ground | | | | Note3 |
| 15 | D0+ | Pixel data | R2-R7,G2 | R0-R5,G0 | | | Note2 |
| 16 | D0- | | | | | | |
| 17 | GND | Ground | Ground | | | | Note3 |
| 18 | MSL | Selection of LVDS input map | Low | High | Low | | Note5 |
| 19 | VCC | Power supply | Power supply | | | | Note3 |
| 20 | VCC | | | | | | |

Note1: See "**4.6 DISPLAY COLORS AND INPUT DATA SIGNALS**".

Note2: Twist pair wires with 100Ω (Characteristic impedance) should be used between LCD panel signal processing board and LVDS transmitter.

Note3: All GND and VCC terminals should be used without any non-connected lines.

Note4: See "**4.8 SCANNING DIRECTIONS**".

Note5: See "**4.5.4 Connection between receiver and transmitter for LVDS**".

PRELIMINARY

4.5.2 Backlight lamp

CN2 plug (LCD module side): SM8B-SRSS-TB (J.S.T. Mfg. Co., Ltd.)

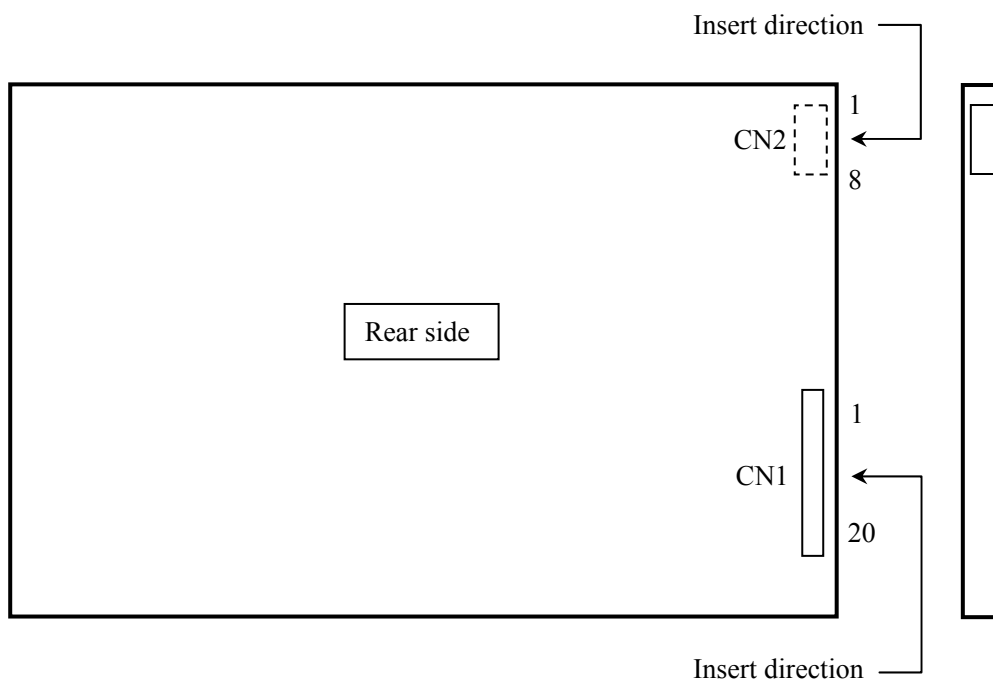
Adaptable socket: SHR-8V-S (J.S.T. Mfg. Co., Ltd.)

| Pin No. | Symbol | Signal | Remarks |
|---------|--------|----------|---------------------|
| 1 | A1 | Anode1 | - |
| 2 | K1 | Cathode1 | - |
| 3 | A2 | Anode2 | - |
| 4 | K2 | Cathode2 | - |
| 5 | N. C. | - | Keep this pin Open. |
| 6 | N. C. | - | Keep this pin Open. |
| 7 | N. C. | - | Keep this pin Open. |
| 8 | N. C. | - | Keep this pin Open. |

2
2

2

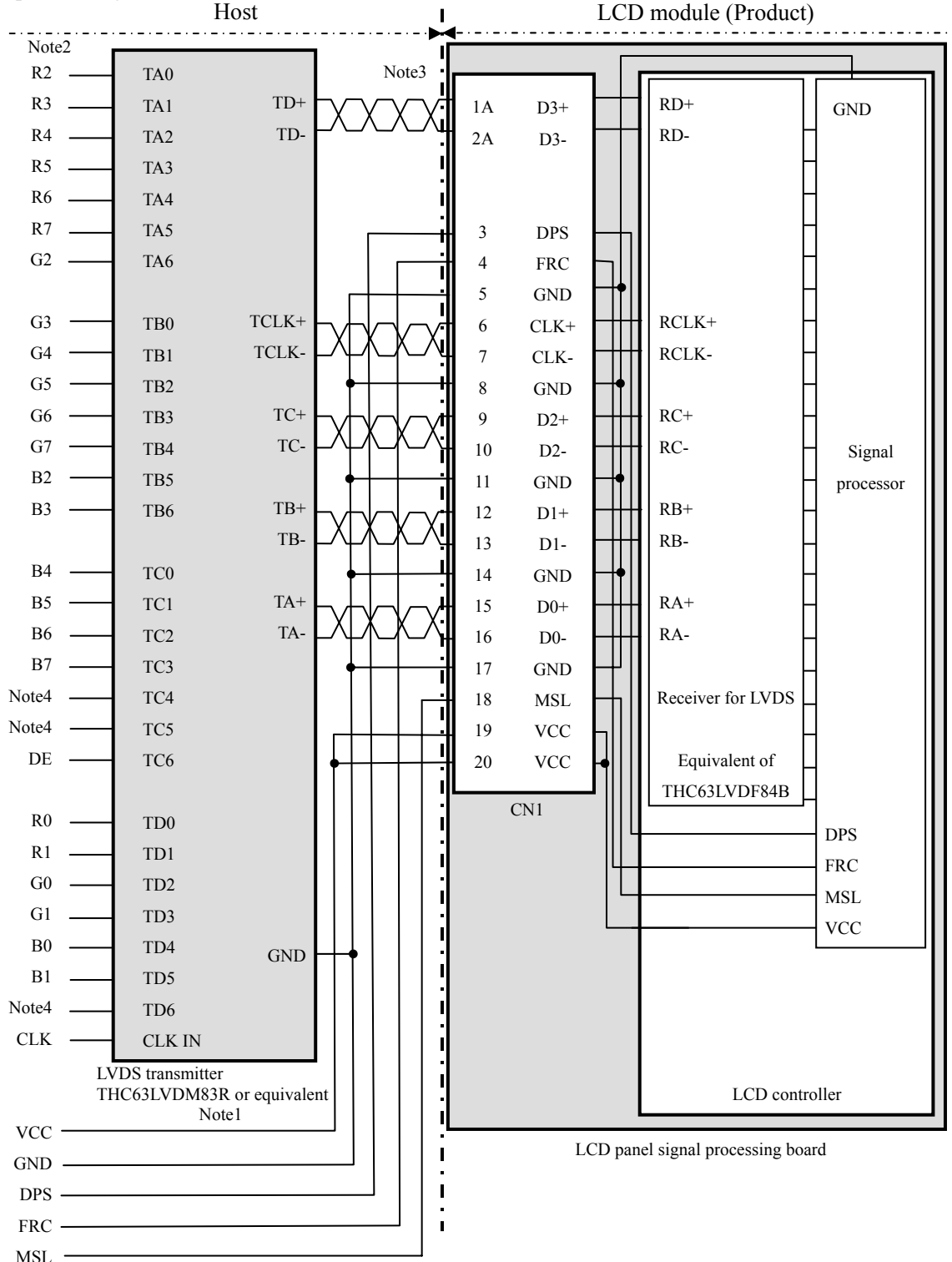
4.5.3 Positions of plug and socket



2

4.5.4 Connection between receiver and transmitter for LVDS

(1) Input data signal: 8bit, MAP A
Host



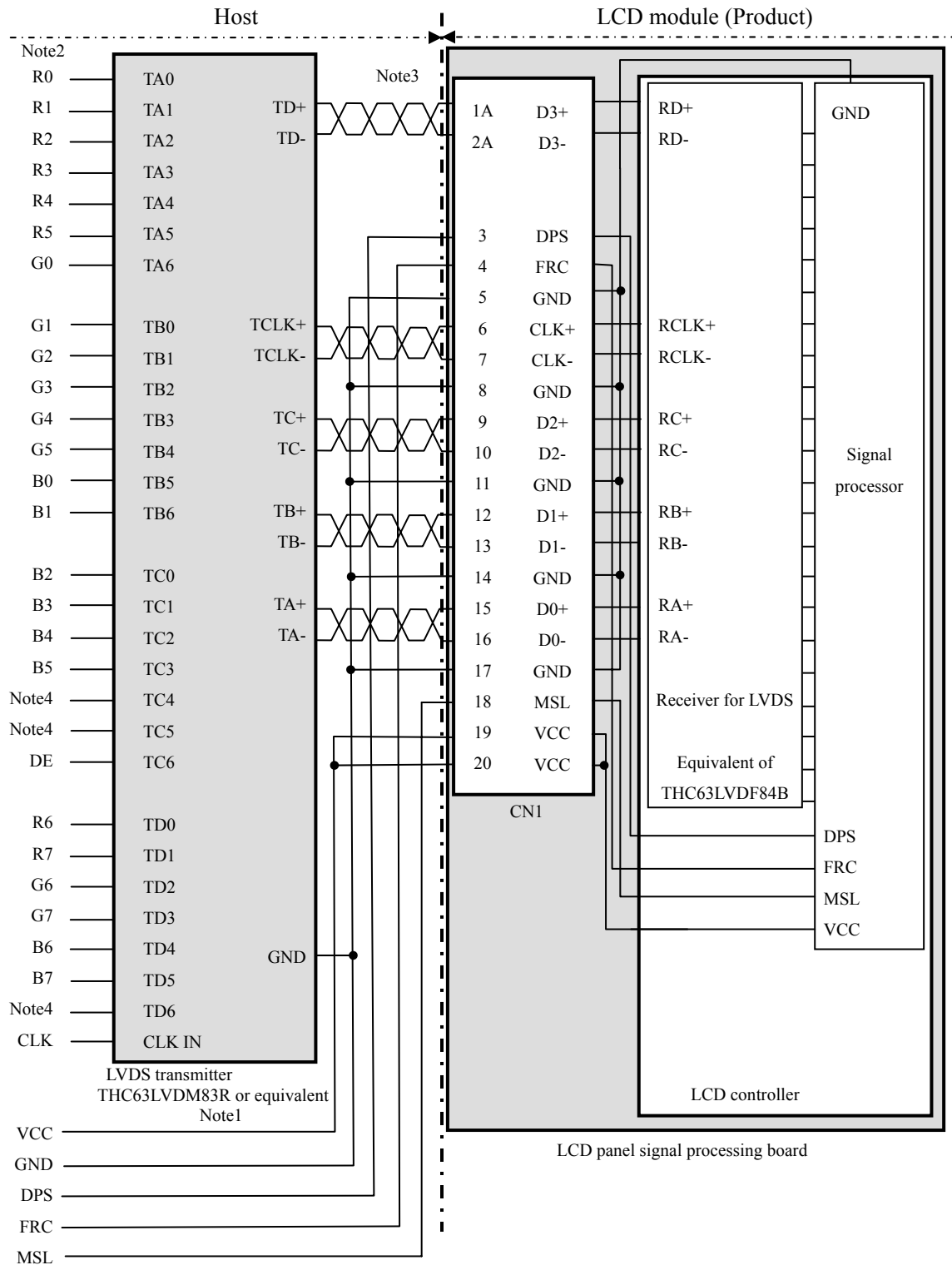
Note1: Recommended transmitter: THC63LVDM83R (THine Electronics Inc.) or equivalent

Note2: LSB (Least Significant Bit) – R0, G0, B0 MSB (Most Significant Bit) – R7, G7, B7

Note3: Twist pair wires with 100Ω (Characteristic impedance) should be used between LCD panel signal processing board and LVDS transmitter.

Note4: Input signals to TC4, TC5 and TD6 are not used inside the product, but do not keep TC4, TC5 and TD6 open to avoid noise problem.

(2) Input data signal: 8bit, MAP B



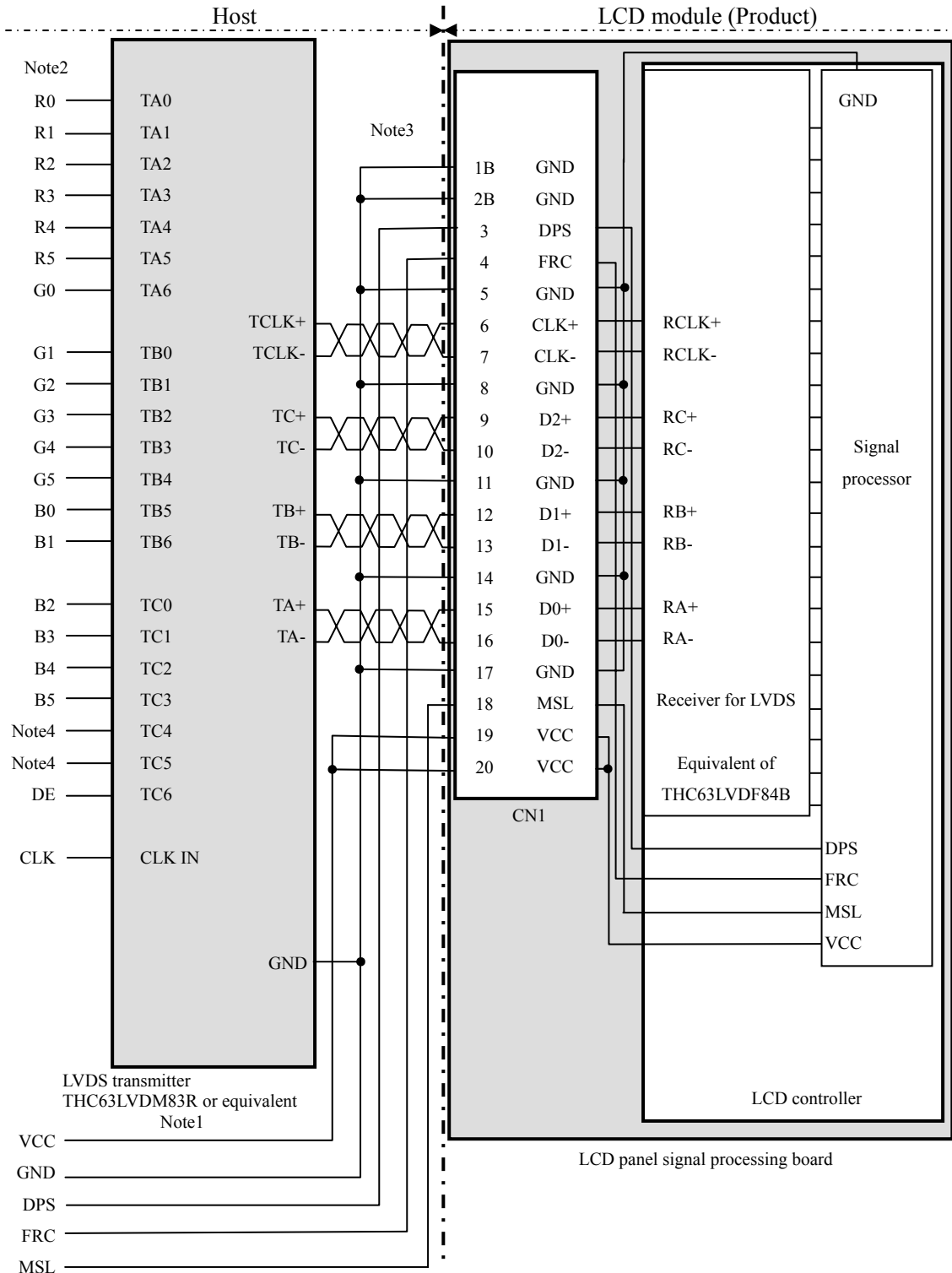
Note1: Recommended transmitter: THC63LVDM83R (THine Electronics Inc.) or equivalent

Note2: LSB (Least Significant Bit) – R0, G0, B0 MSB (Most Significant Bit) – R7, G7, B7

Note3: Twist pair wires with 100Ω (Characteristic impedance) should be used between LCD panel signal processing board and LVDS transmitter.

Note4: Input signals to TC4, TC5 and TD6 are not used inside the product, but do not keep TC4, TC5 and TD6 open to avoid noise problem.

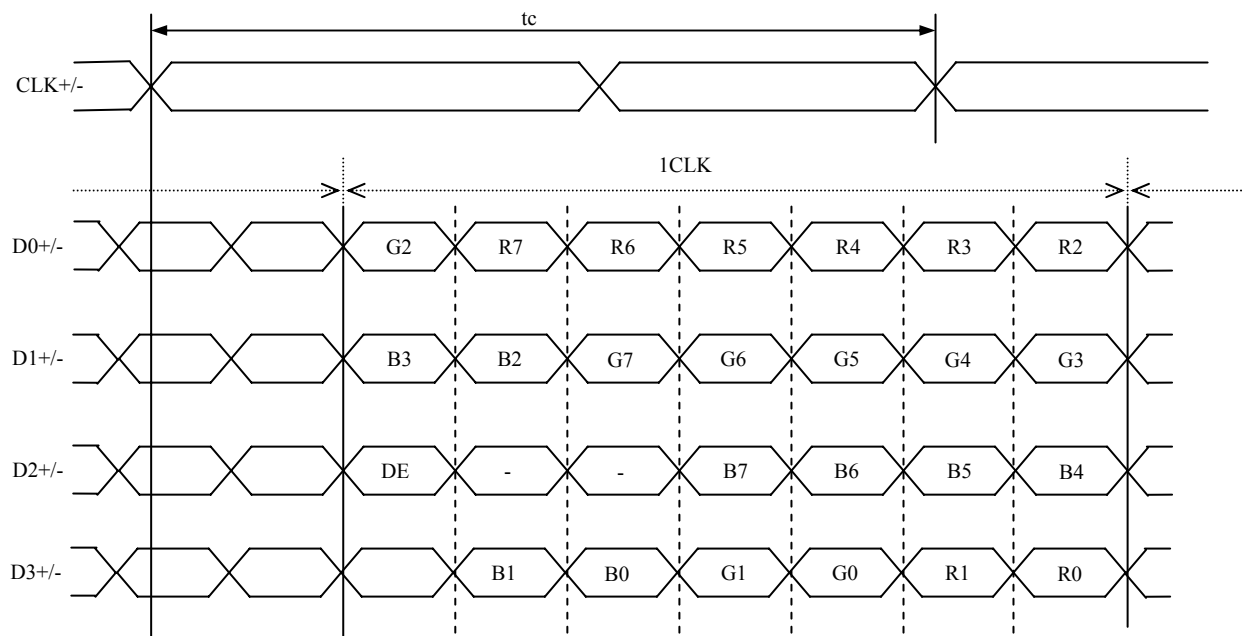
(3) Input data signal: 6bit



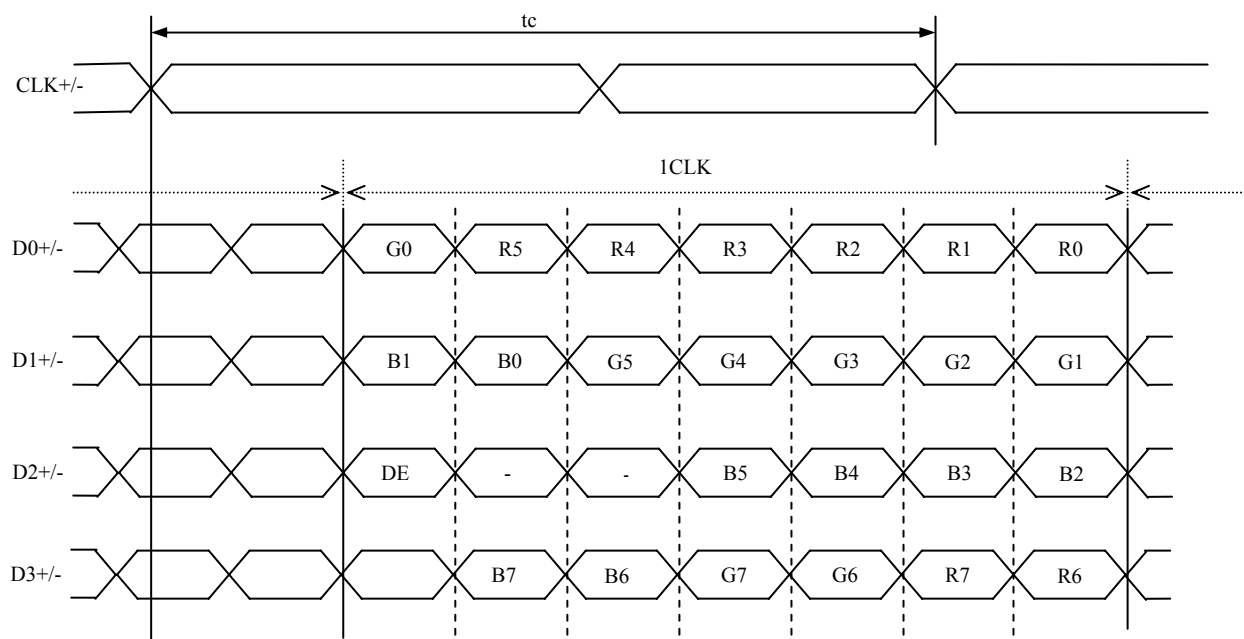
- Note1: Recommended transmitter THC63LVDM83R (THine Electronics Inc.) or equivalent
- Note2: LSB (Least Significant Bit) – R0, G0, B0 MSB (Most Significant Bit) – R5, G5, B5
- Note3: Twist pair wires with 100Ω (Characteristic impedance) should be used between LCD panel signal processing board and LVDS transmitter.
- Note4: Input signals to TC4 and TC5 are not used inside the product, but do not keep TC4 and TC5 open to avoid noise problem.

4.5.5 Input data mapping

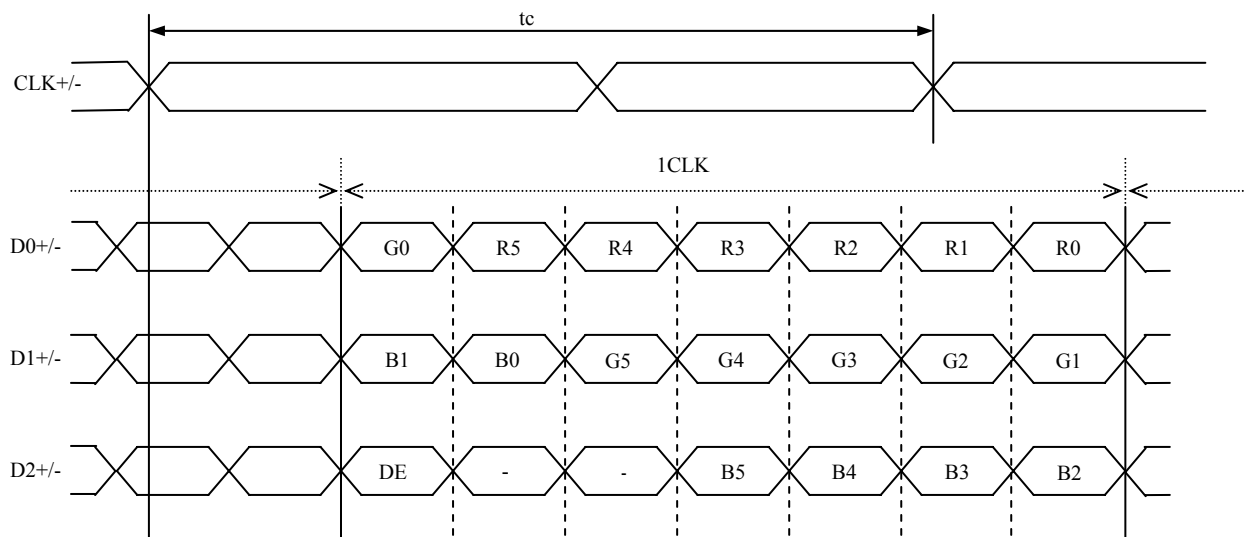
(1) Input data signal: 8bit, MAP A



(2) Input data signal: 8bit, MAP B



(3) Input data signal: 6bit



4.6 DISPLAY COLORS AND INPUT DATA SIGNALS

4.6.1 Combinations between input data signals, FRC signal and MSL signal

This product can display in equivalent to 16,777,216 colors in 256 gray scales and 262,144 colors in 64 gray scales by combination between input data signals, FRC signal and MSL signal. See following table.

| Combination | Input data signals | Input Data mapping | CN1- Pin No.1 and 2 | FRC terminal | MSL terminal | Display colors | Remarks |
|-------------|--------------------|--------------------|---------------------|--------------|--------------|----------------|---------|
| ① | 8 bit | MAP A | D3+/- | High | Low | 16,777,216 | Note1 |
| ② | 8 bit | MAP B | D3+/- | High | High | 16,777,216 | Note1 |
| ③ | 6 bit | - | GND | Low or open | Low | 262,144 | Note2 |

Note1: See "4.6.2 16,777,216 colors".

Note2: See "4.6.3 262,144 colors".

PRELIMINARY

4.6.2 16,777,216 colors

This product can display equivalent of 16,777,216 colors in 256 gray scales by combination ① and ②.
 (See "4.6.1 Combinations between input data signals, FRC signal and MSL signal".)

Also the relation between display colors and input data signals is as the following table.

| Display colors | | Data signal (0: Low level, 1: High level) | | | | | | | | | | | | | | | |
|------------------|-----------------|---|-------------------------|-------------------------|--|--|--|--|--|--|--|--|--|--|--|--|--|
| | | R7 R6 R5 R4 R3 R2 R1 R0 | G7 G6 G5 G4 G3 G2 G1 G0 | B7 B6 B5 B4 B3 B2 B1 B0 | | | | | | | | | | | | | |
| Basic Colors | Black | 0 0 0 0 0 0 0 0 | 0 0 0 0 0 0 0 0 | 0 0 0 0 0 0 0 0 | | | | | | | | | | | | | |
| | Blue | 0 0 0 0 0 0 0 0 | 0 0 0 0 0 0 0 0 | 1 1 1 1 1 1 1 1 | | | | | | | | | | | | | |
| | Red | 1 1 1 1 1 1 1 1 | 0 0 0 0 0 0 0 0 | 0 0 0 0 0 0 0 0 | | | | | | | | | | | | | |
| | Magenta | 1 1 1 1 1 1 1 1 | 0 0 0 0 0 0 0 0 | 1 1 1 1 1 1 1 1 | | | | | | | | | | | | | |
| | Green | 0 0 0 0 0 0 0 0 | 1 1 1 1 1 1 1 1 | 0 0 0 0 0 0 0 0 | | | | | | | | | | | | | |
| | Cyan | 0 0 0 0 0 0 0 0 | 1 1 1 1 1 1 1 1 | 1 1 1 1 1 1 1 1 | | | | | | | | | | | | | |
| | Yellow | 1 1 1 1 1 1 1 1 | 1 1 1 1 1 1 1 1 | 0 0 0 0 0 0 0 0 | | | | | | | | | | | | | |
| | White | 1 1 1 1 1 1 1 1 | 1 1 1 1 1 1 1 1 | 1 1 1 1 1 1 1 1 | | | | | | | | | | | | | |
| Red gray scale | Black | 0 0 0 0 0 0 0 0 | 0 0 0 0 0 0 0 0 | 0 0 0 0 0 0 0 0 | | | | | | | | | | | | | |
| | dark | 0 0 0 0 0 0 0 1 | 0 0 0 0 0 0 0 0 | 0 0 0 0 0 0 0 0 | | | | | | | | | | | | | |
| | ↑ | | | | | | | | | | | | | | | | |
| | ↓ | | | | | | | | | | | | | | | | |
| | bright | 1 1 1 1 1 1 0 1 | 0 0 0 0 0 0 0 0 | 0 0 0 0 0 0 0 0 | | | | | | | | | | | | | |
| Red | 1 1 1 1 1 1 1 1 | 0 0 0 0 0 0 0 0 | 0 0 0 0 0 0 0 0 | | | | | | | | | | | | | | |
| Green gray scale | Black | 0 0 0 0 0 0 0 0 | 0 0 0 0 0 0 0 0 | 0 0 0 0 0 0 0 0 | | | | | | | | | | | | | |
| | dark | 0 0 0 0 0 0 0 0 | 0 0 0 0 0 0 0 1 | 0 0 0 0 0 0 0 0 | | | | | | | | | | | | | |
| | ↑ | | | | | | | | | | | | | | | | |
| | ↓ | | | | | | | | | | | | | | | | |
| | bright | 0 0 0 0 0 0 0 0 | 1 1 1 1 1 1 0 1 | 0 0 0 0 0 0 0 0 | | | | | | | | | | | | | |
| Green | 0 0 0 0 0 0 0 0 | 1 1 1 1 1 1 1 1 | 0 0 0 0 0 0 0 0 | | | | | | | | | | | | | | |
| Blue gray scale | Black | 0 0 0 0 0 0 0 0 | 0 0 0 0 0 0 0 0 | 0 0 0 0 0 0 0 0 | | | | | | | | | | | | | |
| | dark | 0 0 0 0 0 0 0 0 | 0 0 0 0 0 0 0 0 | 0 0 0 0 0 0 0 1 | | | | | | | | | | | | | |
| | ↑ | | | | | | | | | | | | | | | | |
| | ↓ | | | | | | | | | | | | | | | | |
| | bright | 0 0 0 0 0 0 0 0 | 0 0 0 0 0 0 0 0 | 1 1 1 1 1 1 0 1 | | | | | | | | | | | | | |
| Blue | 0 0 0 0 0 0 0 0 | 0 0 0 0 0 0 0 0 | 1 1 1 1 1 1 1 1 | | | | | | | | | | | | | | |

PRELIMINARY

4.6.3 262,144 colors

This product can display equivalent of 262,144 colors in 64 gray scales by combination ③.

(See "4.6.1 Combinations between input data signals, FRC signal and MSL signal".)

Also the relation between display colors and input data signals is as the following table.

| Display colors | | Data signal (0: Low level, 1: High level) | | | | | | | | | | | | | | | | | |
|------------------|---------|---|----|----|----|----|----|----|----|----|----|----|----|----|----|----|----|----|----|
| | | R5 | R4 | R3 | R2 | R1 | R0 | G5 | G4 | G3 | G2 | G1 | G0 | B5 | B4 | B3 | B2 | B1 | B0 |
| Basic colors | Black | 0 | 0 | 0 | 0 | 0 | 0 | 0 | 0 | 0 | 0 | 0 | 0 | 0 | 0 | 0 | 0 | 0 | 0 |
| | Blue | 0 | 0 | 0 | 0 | 0 | 0 | 0 | 0 | 0 | 0 | 0 | 0 | 1 | 1 | 1 | 1 | 1 | 1 |
| | Red | 1 | 1 | 1 | 1 | 1 | 1 | 0 | 0 | 0 | 0 | 0 | 0 | 0 | 0 | 0 | 0 | 0 | 0 |
| | Magenta | 1 | 1 | 1 | 1 | 1 | 1 | 0 | 0 | 0 | 0 | 0 | 0 | 1 | 1 | 1 | 1 | 1 | 1 |
| | Green | 0 | 0 | 0 | 0 | 0 | 0 | 1 | 1 | 1 | 1 | 1 | 1 | 0 | 0 | 0 | 0 | 0 | 0 |
| | Cyan | 0 | 0 | 0 | 0 | 0 | 0 | 1 | 1 | 1 | 1 | 1 | 1 | 1 | 1 | 1 | 1 | 1 | 1 |
| | Yellow | 1 | 1 | 1 | 1 | 1 | 1 | 1 | 1 | 1 | 1 | 1 | 1 | 0 | 0 | 0 | 0 | 0 | 0 |
| | White | 1 | 1 | 1 | 1 | 1 | 1 | 1 | 1 | 1 | 1 | 1 | 1 | 1 | 1 | 1 | 1 | 1 | 1 |
| Red gray scale | Black | 0 | 0 | 0 | 0 | 0 | 0 | 0 | 0 | 0 | 0 | 0 | 0 | 0 | 0 | 0 | 0 | 0 | 0 |
| | dark | 0 | 0 | 0 | 0 | 0 | 1 | 0 | 0 | 0 | 0 | 0 | 0 | 0 | 0 | 0 | 0 | 0 | 0 |
| | ↑ | | | | ⋮ | | | | | | | | | | | | | | |
| | ↓ | | | | ⋮ | | | | | | | | | | | | | | |
| | bright | 1 | 1 | 1 | 1 | 0 | 1 | 0 | 0 | 0 | 0 | 0 | 0 | 0 | 0 | 0 | 0 | 0 | 0 |
| Red | 1 | 1 | 1 | 1 | 1 | 1 | 0 | 0 | 0 | 0 | 0 | 0 | 0 | 0 | 0 | 0 | 0 | 0 | |
| Green gray scale | Black | 0 | 0 | 0 | 0 | 0 | 0 | 0 | 0 | 0 | 0 | 0 | 0 | 0 | 0 | 0 | 0 | 0 | 0 |
| | dark | 0 | 0 | 0 | 0 | 0 | 0 | 0 | 0 | 0 | 0 | 1 | 0 | 0 | 0 | 0 | 0 | 0 | 0 |
| | ↑ | | | | ⋮ | | | | | | | | | | | | | | |
| | ↓ | | | | ⋮ | | | | | | | | | | | | | | |
| | bright | 0 | 0 | 0 | 0 | 0 | 0 | 1 | 1 | 1 | 1 | 0 | 1 | 0 | 0 | 0 | 0 | 0 | 0 |
| Green | 0 | 0 | 0 | 0 | 0 | 0 | 1 | 1 | 1 | 1 | 1 | 1 | 0 | 0 | 0 | 0 | 0 | 0 | |
| Blue gray scale | Black | 0 | 0 | 0 | 0 | 0 | 0 | 0 | 0 | 0 | 0 | 0 | 0 | 0 | 0 | 0 | 0 | 0 | 0 |
| | dark | 0 | 0 | 0 | 0 | 0 | 0 | 0 | 0 | 0 | 0 | 0 | 0 | 0 | 0 | 0 | 0 | 0 | 1 |
| | ↑ | | | | ⋮ | | | | | | | | | | | | | | |
| | ↓ | | | | ⋮ | | | | | | | | | | | | | | |
| | bright | 0 | 0 | 0 | 0 | 0 | 0 | 0 | 0 | 0 | 0 | 0 | 0 | 1 | 1 | 1 | 1 | 0 | 1 |
| Blue | 0 | 0 | 0 | 0 | 0 | 0 | 0 | 0 | 0 | 0 | 0 | 0 | 1 | 1 | 1 | 1 | 1 | 0 | |
| Blue | 0 | 0 | 0 | 0 | 0 | 0 | 0 | 0 | 0 | 0 | 0 | 0 | 1 | 1 | 1 | 1 | 1 | 1 | |

PRELIMINARY

4.7 DISPLAY POSITIONS

The following table is the coordinates per pixel (See "4.8 SCANNING DIRECTIONS").

| | | | | | | |
|------------|------------|-----|------------|-----|--------------|--------------|
| C (0, 0) | | | | | | |
| R | G | B | | | | |
| C(0, 0) | C(1, 0) | ... | C(X, 0) | ... | C(1022, 0) | C(1023, 0) |
| C(0, 1) | C(1, 1) | ... | C(X, 1) | ... | C(1022, 1) | C(1023, 1) |
| . | . | . | . | . | . | . |
| . | . | . | . | . | . | . |
| . | . | . | . | . | . | . |
| C(0, Y) | C(1, Y) | ... | C(X, Y) | ... | C(1022, Y) | C(1023, Y) |
| . | . | . | . | . | . | . |
| . | . | . | . | . | . | . |
| . | . | . | . | . | . | . |
| C(0, 766) | C(1, 766) | ... | C(X, 766) | ... | C(1022, 766) | C(1023, 766) |
| C(0, 767) | C(1, 767) | ... | C(X, 767) | ... | C(1022, 767) | C(1023, 767) |

4.8 SCANNING DIRECTIONS

The following figures are seen from a front view. Also the arrow shows the direction of scan.

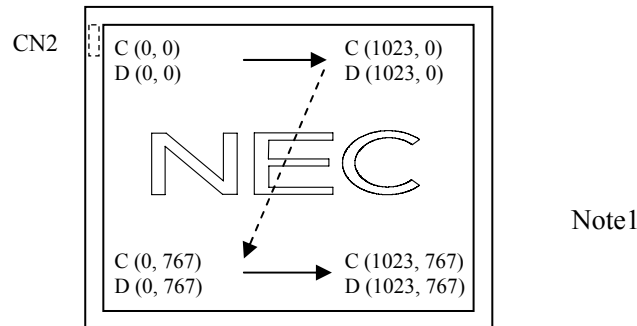


Figure1. Normal scan (DPS: Low or Open)

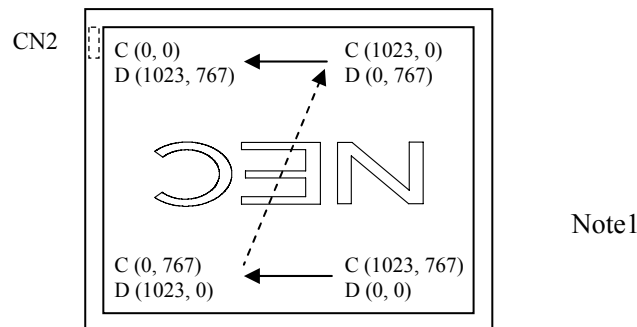


Figure2. Reverse scan (DPS: High)

Note1: Meaning of C (X, Y) and D (X, Y)

C (X, Y): The coordinates of the display position (See "4.7 DISPLAY POSITIONS".)

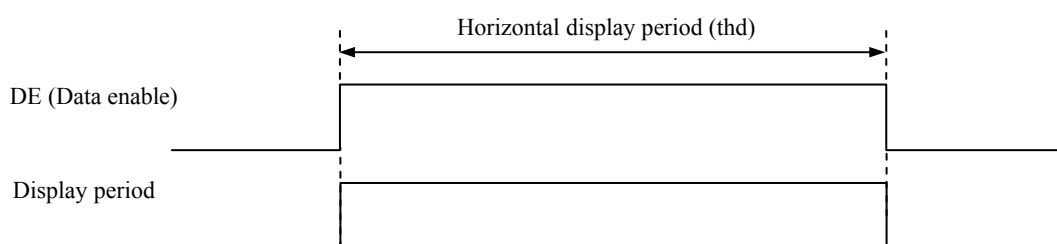
D (X, Y): The data number of input signal for LCD panel signal processing board

4.9 INPUT SIGNAL TIMINGS

4.9.1 Outline of input signal timings

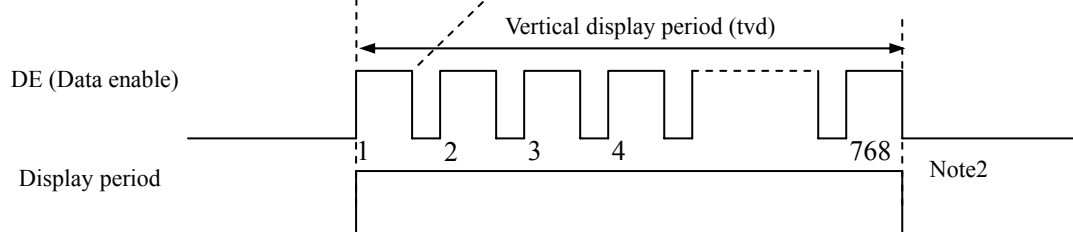
- Horizontal signal

Note1



- Vertical signal

Note1



Note1: This diagram indicates virtual signal for set up to timing.

Note2: See "**4.9.3 Input signal timing chart**" for numeration of pulse.

PRELIMINARY

4.9.2 Timing characteristics

(Note1, Note2, Note3)

| Parameter | | Symbol | min. | typ. | max. | Unit | Remarks | |
|-----------|-------------------------|----------------|------|-------|--------|------|-----------------|------------------|
| CLK | Frequency | 1/tc | 60.0 | 65.0 | 68.0 | MHz | 15.385ns (typ.) | |
| | Duty | - | - | | | - | - | |
| | Rise time, Fall time | - | | | | ns | | |
| DATA | CLK-DATA | Setup time | - | | | ns | - | |
| | | Hold time | | | | ns | | |
| | Rise time, Fall time | - | | | | ns | | |
| DE | Horizontal | Cycle | th | 19.67 | 20.676 | 22.4 | μs | 48.363kHz (typ.) |
| | | Display period | thd | - | 1,344 | - | CLK | |
| | | | | 1,024 | | | CLK | |
| | Vertical (One frame) | Cycle | tv | 13.3 | 16.666 | 18.5 | ms | 60.0Hz (typ.) |
| | | Display period | tvd | 780 | 806 | - | H | |
| | | | | 768 | | | H | |
| CLK-DE | Setup time | - | - | | | ns | - | |
| | Hold time | - | | | | ns | | |
| | Rise time, Fall time | - | | | | ns | | |

Note1: Definition of parameters is as follows.

$$tc = 1CLK, th = 1H$$

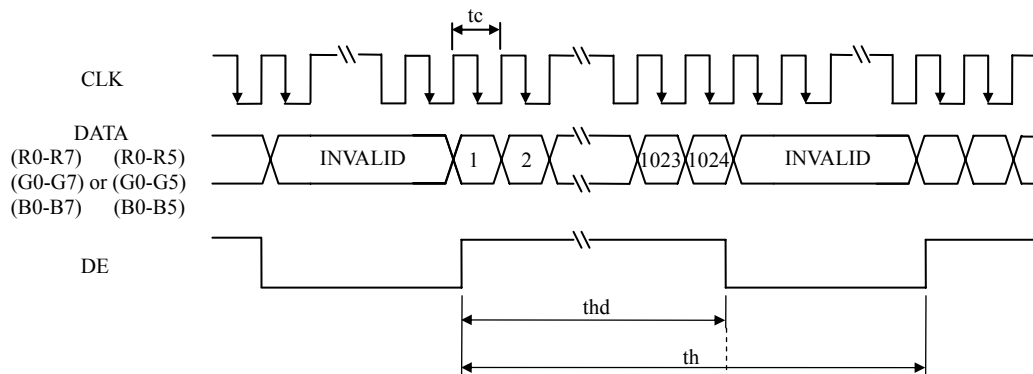
Note2: See the data sheet of LVDS transmitter.

Note3: Vertical cycle (tv) should be specified in integral multiple of Horizontal cycle (th).

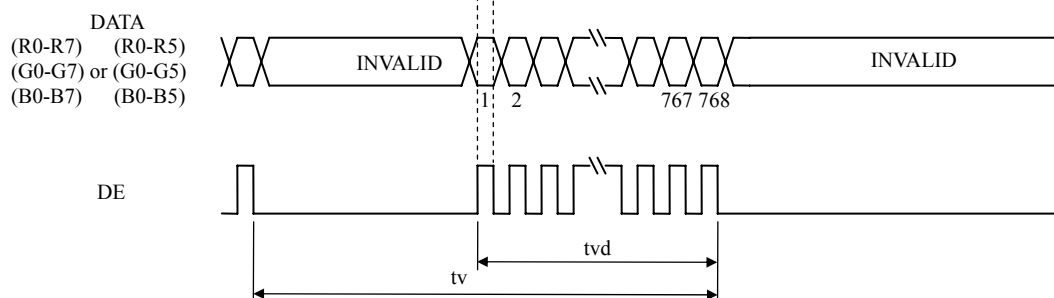
2

4.9.3 Input signal timing chart

Horizontal timing



Vertical timing



4.10 OPTICS

4.10.1 Optical characteristics

(Note1, Note2)

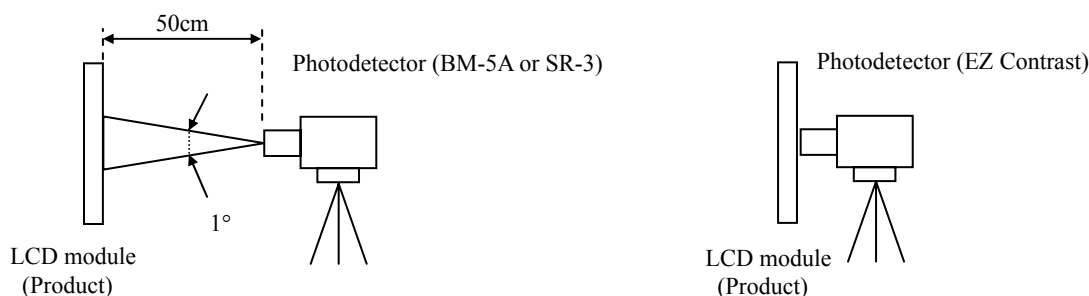
| Parameter | Condition | Symbol | min. | typ. | max. | Unit | Measuring instrument | Remarks | |
|----------------------|---|--|------------|---------|-------|-------------------|----------------------|---------|-------|
| Luminance | White at center $\theta R=0^\circ, \theta L=0^\circ, \theta U=0^\circ, \theta D=0^\circ$ | L | TBD | (400) | - | cd/m ² | BM-5A | - | |
| Contrast ratio | White/Black at center $\theta R=0^\circ, \theta L=0^\circ, \theta U=0^\circ, \theta D=0^\circ$ | CR | TBD | (1,000) | - | - | BM-5A | Note3 | |
| Luminance uniformity | White $\theta R=0^\circ, \theta L=0^\circ, \theta U=0^\circ, \theta D=0^\circ$ | LU | - | 1.25 | 1.4 | - | BM-5A | Note4 | |
| Chromaticity | White | x coordinate | Wx | 0.263 | 0.313 | 0.363 | - | SR-3 | Note5 |
| | | y coordinate | Wy | 0.279 | 0.329 | 0.379 | - | | |
| | Red | x coordinate | Rx | - | TBD | - | - | | |
| | | y coordinate | Ry | - | TBD | - | - | | |
| | Green | x coordinate | Gx | - | TBD | - | - | | |
| | | y coordinate | Gy | - | TBD | - | - | | |
| Blue | x coordinate | Bx | - | TBD | - | - | | | |
| | y coordinate | By | - | TBD | - | - | | | |
| Color gamut | $\theta R=0^\circ, \theta L=0^\circ, \theta U=0^\circ, \theta D=0^\circ$ at center, against NTSC color space | C | TBD | 40 | - | % | | | |
| Response time | White to Black | Ton | - | 3 | 5 | ms | BM-5A | Note6 | |
| | Black to White | Toff | - | 15 | 21 | ms | | Note7 | |
| Viewing angle | Right | $\theta U=0^\circ, \theta D=0^\circ, CR \geq 10$ | θR | 70 | 80 | - | EZ Contrast | Note8 | |
| | Left | $\theta U=0^\circ, \theta D=0^\circ, CR \geq 10$ | θL | 70 | 80 | - | | | |
| | Up | $\theta R=0^\circ, \theta L=0^\circ, CR \geq 10$ | θU | 70 | 80 | - | | | |
| | Down | $\theta R=0^\circ, \theta L=0^\circ, CR \geq 10$ | θD | 70 | 80 | - | | | |

Note1: These are initial characteristics.

Note2: Measurement conditions are as follows.

Ta= 25°C, VCC= 3.3V, IL= 60mA/one circuit, Display mode: XGA, Horizontal cycle= 1/48.363kHz, Vertical cycle= 1/60.0Hz, DPS= Low or Open: Normal scan

Optical characteristics are measured at luminance saturation after 20minutes from working the product, in the dark room. Also measurement methods are as follows.



Note3: See "4.10.2 Definition of contrast ratio".

Note4: See "4.10.3 Definition of luminance uniformity".

Note5: These coordinates are found on CIE 1931 chromaticity diagram.

Note6: Product surface temperature: TopF = TBD °C

Note7: See "4.10.4 Definition of response times".

Note8: See "4.10.5 Definition of viewing angles".

4.10.2 Definition of contrast ratio

The contrast ratio is calculated by using the following formula.

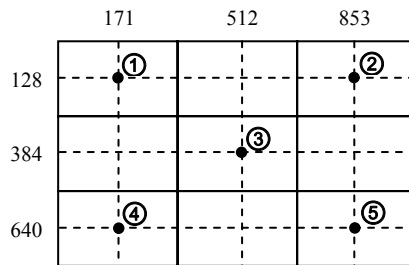
$$\text{Contrast ratio (CR)} = \frac{\text{Luminance of white screen}}{\text{Luminance of black screen}}$$

4.10.3 Definition of luminance uniformity

The luminance uniformity is calculated by using following formula.

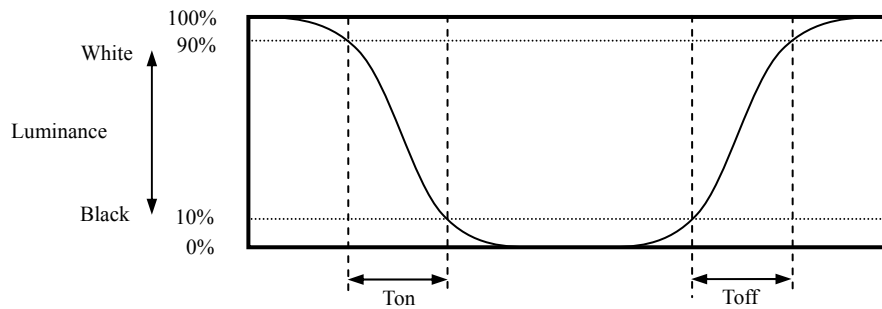
$$\text{Luminance uniformity (LU)} = \frac{\text{Maximum luminance from ① to ⑤}}{\text{Minimum luminance from ① to ⑤}}$$

The luminance is measured at near the 5 points shown below.

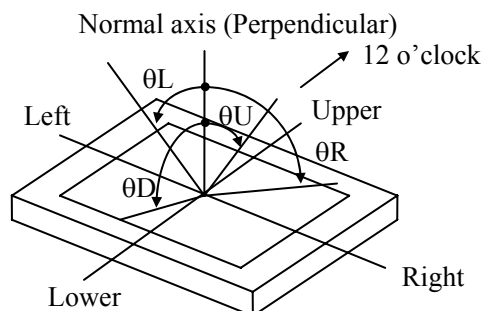


4.10.4 Definition of response times

Response time is measured, the luminance changes from " black " to " white ", or " white " to " black " on the same screen point, by photo-detector. Ton is the time it takes the luminance change from 90% down to 10%. Also Toff is the time it takes the luminance change from 10% up to 90% (See the following diagram.).



4.10.5 Definition of viewing angles



5. ESTIMATED LUMINANCE LIFETIME

2

The luminance lifetime is the time from initial luminance to half-luminance.

This lifetime is the estimated value, and is not guarantee value.

| Condition | | Life expectancy Note1, Note2, Note3 | Unit |
|-----------------------------|--|--|------|
| LED elementary substance | 25°C (Ambient temperature of LCD module) Continuous operation, IL= 60mA/one circuit | 70,000 | h |

Note1: Life expectancy is mean time to half-luminance.

Note2: Estimated luminance lifetime is not the value for LCD module but the value for LED elementary substance.

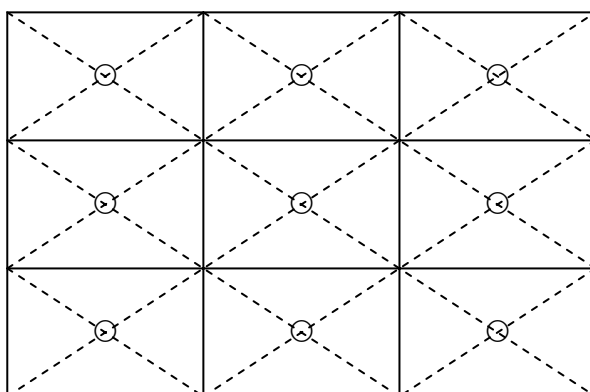
Note3: By ambient temperature, the lifetime changes particularly. Especially, in case the product works under high temperature environment, the lifetime becomes short.

6. RELIABILITY TESTS

| Test item | Condition | Judgment | Note1 |
|--|---|-------------------------|-------|
| High temperature and humidity (Operation) | ① 60 ± 2°C, RH= 90%, 240hours ② Display data is black. | No display malfunctions | |
| High temperature (Operation) | ① 70 ± 3°C, 240hours ② Display data is black. | | |
| Heat cycle (Operation) | ① -20 ± 3°C...1hour 70 ± 3°C...1hour ② 50cycles, 4 hours/cycle ③ Display data is black. | | |
| Thermal shock (Non operation) | ① -30 ± 3°C...30minutes 80 ± 3°C...30minutes ② 100cycles, 1hour/cycle ③ Temperature transition time is within 5 minutes. | | |
| ESD (Operation) | ① 150pF, 150Ω, ±10kV ② 9 places on a panel surface Note2 ③ 10 times each places at 1 sec interval | | |
| Dust (Operation) | ① Sample dust: No. 15 (by JIS-Z8901) ② 15 seconds stir ③ 8 times repeat at 1 hour interval | | |
| Vibration (Non operation) | ① 5 to 100Hz, 19.6m/s ² ② 1 minute/cycle ③ X, Y, Z directions ④ 120 times each directions | | |
| Mechanical shock (Non operation) | ① 539m/ s ² , 11ms ② ±X, ±Y, ±Z directions ③ 5 times each directions | | |

Note1: Display and appearance are checked under environmental conditions equivalent to the inspection conditions of defect criteria.

Note2: See the following figure for discharge points.



7. PRECAUTIONS

7.1 MEANING OF CAUTION SIGNS

The following caution signs have very important meaning. **Be sure to read "7.2 CAUTIONS" and "7.3 ATTENTIONS", after understanding these contents!**



This sign has the meaning that customer will be injured by personnel or the product will sustain a damage, if customer has wrong operations.



This sign has the meaning that customer will be injured by personnel, if customer has wrong operations.

7.2 CAUTIONS



*** Do not shock and press the LCD panel and the backlight! There is a danger of breaking, because they are made of glass. (Shock: To be not greater 539m/s^2 and to be not greater 11ms, Pressure: To be not greater 19.6 N ($\phi 16\text{mm}$ jig))**

2

7.3 ATTENTIONS



7.3.1 Handling of the product

- ① Take hold of both ends without touching the circuit board when the product (LCD module) is picked up from inner packing box to avoid broken down or misadjustment, because of stress to mounting parts on the circuit board.
- ② When the product is put on the table temporarily, display surface must be placed downward.
- ③ When handling the product, take the measures of electrostatic discharge with such as earth band, ionic shower and so on, because the product may be damaged by electrostatic.
- ④ The torque for product mounting screws must never exceed 0.147 N·m. Higher torque might result in distortion of the bezel.
- ⑤ The product must be installed using mounting holes without undue stress such as bends or twist (See outline drawings). And do not add undue stress to any portion (such as bezel flat area). Bends or twist described above and undue stress to any portion may cause display mura.
- ⑥ Do not press or rub on the sensitive product surface. When cleaning the product surface, wipe it with a soft dry cloth.
- ⑦ Do not push nor pull the interface connectors while the product is working.
- ⑧ When handling the product, use of an original protection sheet on the product surface (polarizer) is recommended for protection of product surface. Adhesive type protection sheet may change color or characteristics of the polarizer.
- ⑨ Usually liquid crystals don't leak through the breakage of glasses because of the surface tension of thin layer and the construction of LCD panel. But, if you contact with liquid crystal for the worst, please wash it out with soap.

2

2

7.3.2 Environment

- ① Do not operate or store in high temperature, high humidity, dewdrop atmosphere or corrosive gases. Keep the product in packing box with antistatic pouch in room temperature to avoid dusts and sunlight, when storing the product.
- ② In order to prevent dew condensation occurring by temperature difference, the product packing box should be opened after enough time being left under the environment of an unpacking room. Evaluate the leaving time sufficiently because a situation of dew condensation occurring is changed by the environmental temperature and humidity. (Recommended leaving time: 6 hours or more with packing state)
- ③ Do not operate in high magnetic field. Circuit boards may be broken down by it.
- ④ This product is not designed as radiation hardened.

7.3.3 Characteristics

The following items are neither defects nor failures.

- ① Characteristics of the LCD (such as response time, luminance, color uniformity and so on) may be changed depending on ambient temperature. If the product is stored under condition of low temperature for a long time, it may cause display mura. In this case, the product should be operated after enough time being left under condition of operating temperature.
- ② Display mura, flicker, vertical seam or small spot may be observed depending on display patterns.
- ③ Do not display the fixed pattern for a long time because it may cause image sticking. Use a screen saver, if the fixed pattern is displayed on the screen.
- ④ The display color may be changed depending on viewing angle because of the use of condenser sheet in the backlight.
- ⑤ Optical characteristics may be changed depending on input signal timings.

2

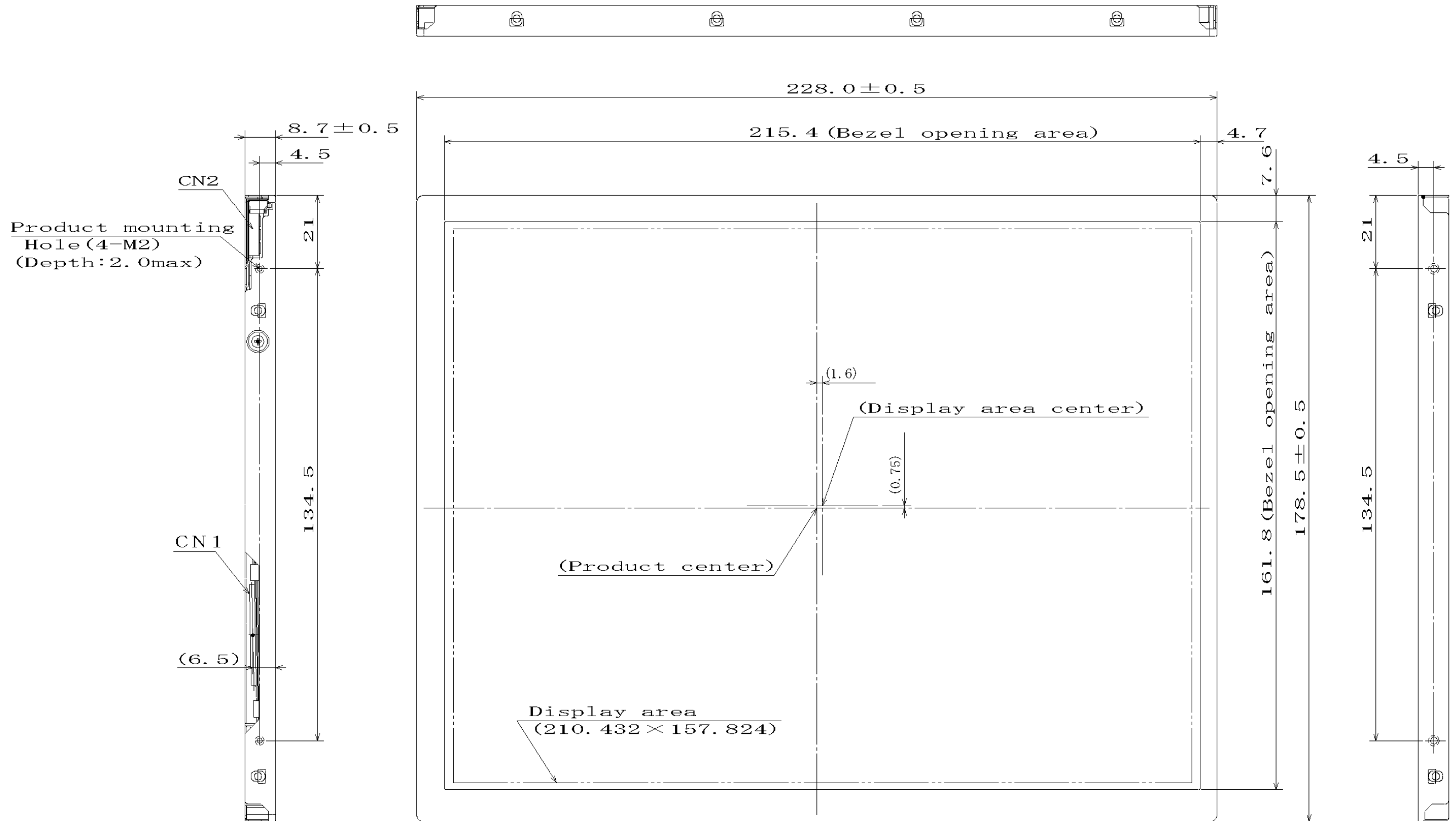
7.3.4 Other

- ① All GND and VCC terminals should be used without any non-connected lines.
- ② Do not disassemble a product or adjust variable resistors.
- ③ See "REPLACEMENT MANUAL FOR LAMP HOLDER SET", when replacing LED holder.
- ④ Pack the product with original shipping package, in order to avoid any damages during transportation, when returning the product to NEC for repair and so on.

2

8. OUTLINE DRAWINGS

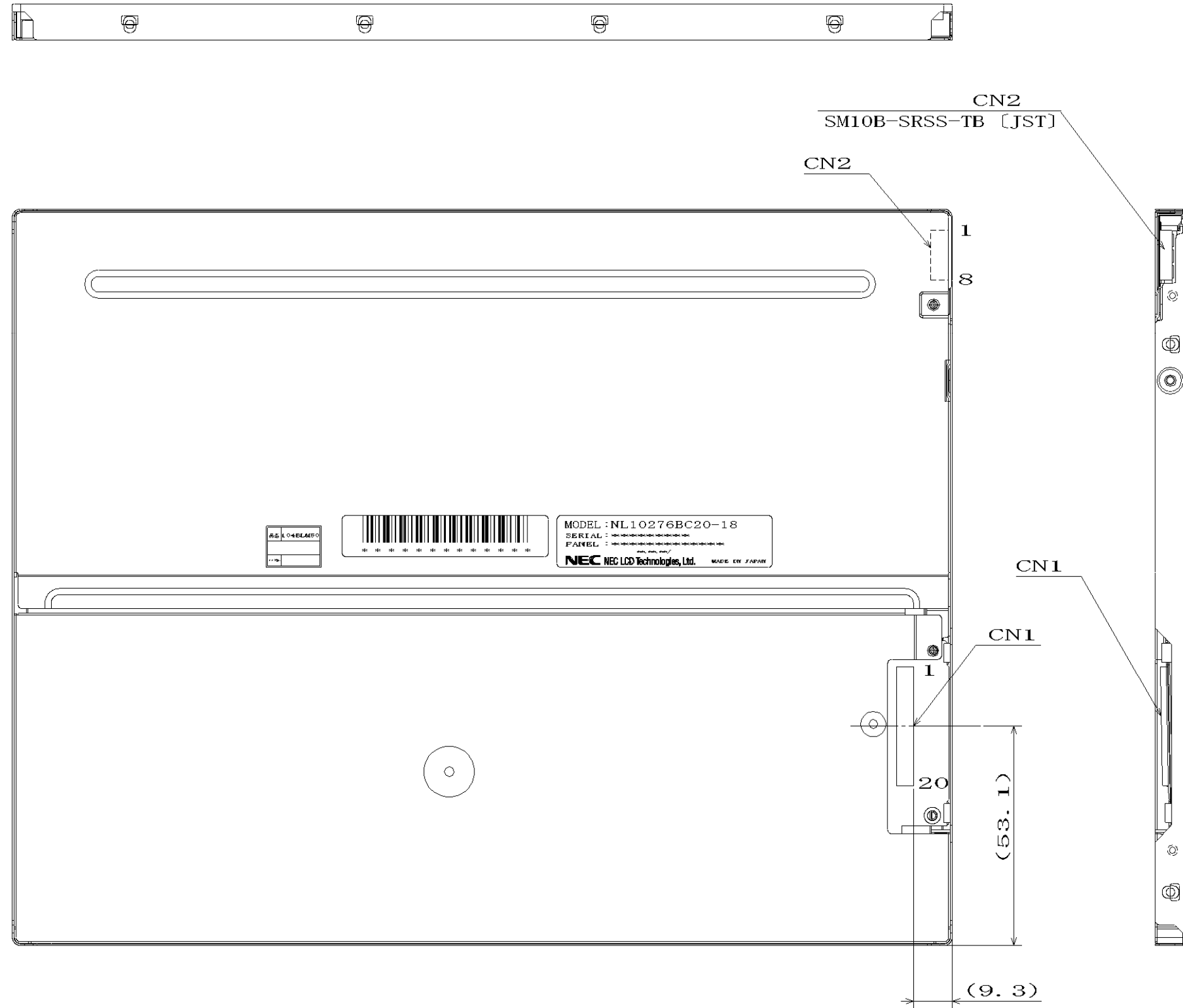
8.1 FRONT VIEW



Note1: The values in parentheses are for reference.
 Note2: The torque for product mounting screws must never exceed 0.147 N·m.

Unit: mm

8.2 REAR VIEW



2

Note1: The values in parentheses are for reference.
 Note2: The torque for product mounting screws must never exceed 0.147 N·m.

Unit: mm

PRELIMINARY


REVISION HISTORY

The inside of latest specifications is revised to the clerical error and the major improvement of previous edition. Only a changed part such as functions, characteristic value and so on that may affect a design of customers, are described especially below.

| Edition | Document number | Prepared date | Revision contents and signature |
|-------------|-----------------|---------------|---|
| 1st edition | DOD-PP-0598 | July 25, 2008 | <p>Revision contents</p> <p>New issue</p> <p>Writer</p> <p>Approved by _____ H. FUKUYOSHI</p> <p>Checked by _____</p> <p>Prepared by _____ A. KUMANO</p> |
| 2nd edition | DOD-PP-0728 | Feb. 16, 2009 | <p>Revision contents</p> <p>P5 General specifications</p> <ul style="list-style-type: none"> • Contrast ratio: (900:1)(typ.) → (1,000:1)(typ.) (change) • Luminance and Power consumption: IL= TBD mA → 60 mA/one circuit • Power consumption: TBD W (typ.) → 5.0 W (typ.) <p>P6 Block diagram</p> <ul style="list-style-type: none"> • Anode and Cathode: 5 → 2 (change) <p>P7 Note3</p> <ul style="list-style-type: none"> • Anode 3 to 5 (elimination) • Cathode 3 to 5 (elimination) <p>P9 Electrical characteristics- LCD panel signal processing board</p> <ul style="list-style-type: none"> • Power supply current (ICC): → 400 (typ.), 730 (max.) mA <p>P10 Backlight</p> <ul style="list-style-type: none"> • Forward current (IL): → 60 (typ.) mA • Forward voltage (VL): → 30.4 (typ.), 35.1 (max.) V -Remarks: → IL= 60 mA • Note2: ...5 circuits → ...2 circuits (change) <p>P10 Fuse</p> <ul style="list-style-type: none"> • Type: → FCC16202AB • Supplier: → KAMAYA ELECTRIC Co., Ltd • Rating: → 2.0A, 32V • Fusing current: → 4.0A <p>P13 Backlight lamp</p> <ul style="list-style-type: none"> • CN2 plug: SM10B-SRSS-TB → SM8B-SRSS-TB (change) • Adaptable socket: SHR-10V-S → SHR-8V-S (change) • Pin No.5 to 8 -Symbol: A3, K3, A4, K4 → N.C. (changed) -Signal: Anode3, Cathode3, Anode4, Cathode4 → - (changed) -Remarks: - → Keep this pin Open. (changed) • Pin No.9 and 10 (elimination) <p>P13 Positions of plug and socket, P32 Outline drawings -Rear view</p> <ul style="list-style-type: none"> • CN2: Pin No.10 → No.8 (change) <p>P23 Timing characteristics</p> <ul style="list-style-type: none"> • Note3 (addition) <p>P25 Optics -Optical characteristics</p> <ul style="list-style-type: none"> • Contrast ratio: (900)(typ.) → (1,000)(typ.) (change) • Response time- Ton and Toff : → 5(max.), 21(max.)ms • Note2: IL= TBD mA → 60 mA/one circuit <p>P27 Estimated luminance lifetime (addition)</p> <p>P29 Precautions</p> <ul style="list-style-type: none"> -Cautions • “Do not touch the working backlight. There is a danger of burn injury.” (elimination) -Attentions -Handling of the product • ② Do not hook nor pull cables, and so on, in order to avoid any damage. (elimination) • ⑥.... use of the cloth with ethanolic liquid such as screen cleaner for LCD is recommended. → wipe it with a soft dry cloth. (correction) |

PRELIMINARY

REVISION HISTORY

| Edition | Document number | Prepared date | Revision contents and signature |
|-------------|-----------------|---------------|--|
| 2nd edition | DOD-PP-0728 | Feb. 16, 2009 | <p>Revision contents</p> <p>P29 Precautions</p> <ul style="list-style-type: none">• Characteristics: ⑥ (elimination)• Other:<ul style="list-style-type: none">• “③ Pay attention not to insert foreign materials inside of the product, when using tapping screws.” (elimination)• ③ See "REPLACEMENT MANUAL FOR LAMP HOLDER SET", when replacing LED holder. (addition) <p>Writer</p> <p>Approved by <u></u> Checked by _____ Prepared by <u>A. Kumano</u></p> |
| | | | |