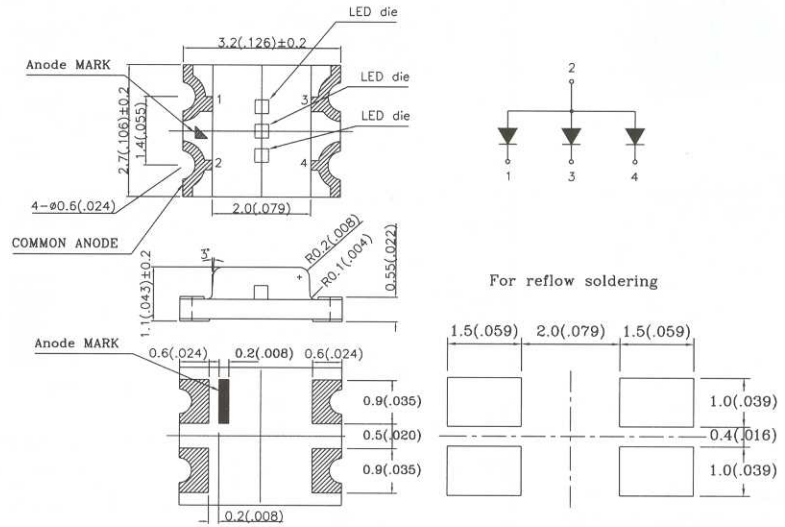


SURFACE MOUNT TRI COLOR LED LAMPS



Multi-Color BL-Hxxxxxxx3T Series



Absolute Maximum Ratings(Ta=25°C)

	UNIT	SPEC.
IF	mA	30
IFp	mA	100
VR	V	5
Topr	°C	-25~+80
Tstg	°C	-30~+85

NOTE:
 1.All dimensions are in millimeters(inches).
 2.Tolerance is ±0.10(.004") unless otherwise specified.
 3.Specifications are subject to change without notice.

Part No.	Chip				Lens Appearance	Electro-optical Data (At 20mA)				Viewing Angle 2θ 1/2 (deg)
	Material	Emitted Color	λ p (nm)	λ d (nm)		Vf(V)		Iv(mcd)		
						Typ.	Max.	Min.	Typ.	
BL-HD1G4B433T	GaAlAs/GaAs	Super Red	660	643	Water Clear	1.8	2.6	12.3	25.0	120
	InGaN	Bluish Green	505	505		3.5	4.0	63.0	120.0	
	InGaN	Super Blue	470	470		3.5	4.0	28.0	40.0	
BL-HD1G6B433T	GaAlAs/GaAs	Super Red	660	643		1.8	2.6	12.3	25.0	
	InGaN	Green	525	525		3.5	4.0	63.0	160.0	
	InGaN	Super Blue	470	470		3.5	4.0	28.0	40.0	
BL-HD1X1B433T	GaAlAs/GaAs	Super Red	660	643		1.8	2.6	12.3	25.0	
	GaP/GaP	Hi-Eff Green	568	570		2.2	2.6	5.5	12.0	
	InGaN	Super Blue	470	470		3.5	4.0	28.0	40.0	
BL-HD1X1KB33T	GaAlAs/GaAs	Super Red	660	643	1.8	2.6	12.3	25.0		
	GaP/GaP	Hi-Eff Green	568	570	2.2	2.6	5.5	12.0		
	AlGaInP	Super Yellow	590	587	2.1	2.6	28.0	45.0		
BL-HUBG6B433T	AlGaInP	Super Red	645	632	2.1	2.6	28.0	50.0		
	InGaN	Green	525	525	3.5	4.0	63.0	160.0		
	InGaN	Super Blue	470	470	3.5	4.0	28.0	40.0		