

HFD3876

Silicon PIN Photodiode

FEATURES

- Low capacitance
- High speed: $t_r = 1.2$ ns typical
- High responsivity: 0.33 A/W typical
- Industry standard ST®-LP fiber connector
- Housing electrically isolated
- Wave solderable



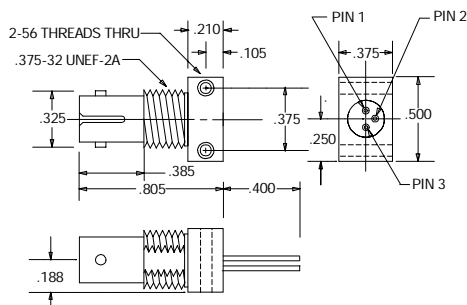
FIBER209.TIF

DESCRIPTION

The HFD3876 PIN Photodiode is designed for high speed use in fiber optic receivers. It has a large area detector, providing efficient response to 50 - 100 μ m diameter fibers at wavelengths of 650 to 950 nanometers. Light is collected using a 600 micron micro lens mounted on the detector surface. The HFD3876 is comprised of an HFD3033 PIN photodiode which is mounted in a low profile ST® fiber optic connector. The ST® connector housing aligns the component's optical axis with the axis of the optical fiber.

The HFD3876s case is electrically isolated from the anode and cathode terminals to enhance the EMI/RFI shielding which increases the sensitivity and speed. The metal ST® housing acts as a shield for the PIN photodiode component.

OUTLINE DIMENSIONS in inches (mm)



FIBER103.DIM

Pinout

1. Anode
2. Cathode
3. Not connected

ST is a registered trademark of AT & T.

Honeywell reserves the right to make changes in order to improve design and supply the best products possible.

Honeywell

HFD3876

Silicon PIN Photodiode

ELECTRO-OPTICAL CHARACTERISTICS (T_C = 25°C unless otherwise stated)

| PARAMETER | SYMBOL | MIN | TYP | MAX | UNITS | TEST CONDITIONS |
|------------------------------|----------------|------|------|-----|---------|------------------------|
| Flux Responsivity, λ= 850 nm | R | 0.30 | 0.33 | | A/W | 50 μm core fiber |
| Dark Current | I _D | | 0.05 | 1.5 | nA | V _R = 30 V |
| Total Capacitance | C | | 1.5 | | pF | V _R = 5 V |
| Response Time | | | | | | |
| 10-90% | t _R | | 1.2 | 3 | ns | V _R = 3.5 V |
| 90-10% | t _F | | 1.2 | 3 | ns | V _R = 3.5 V |
| Field of View | FoV | | 32 | | Degrees | |

ABSOLUTE MAXIMUM RATINGS

(T_{case} = 25°C unless otherwise noted)

| | |
|-------------------------|----------------|
| Storage temperature | -40 to +100°C |
| Operating temperature | -40 to +100°C |
| Lead solder temperature | 260°C for 10 s |
| Reverse voltage | 50 V |

Stresses greater than those listed under "Absolute Maximum Ratings" may cause permanent damage to the device. This is a stress rating only and functional operation of the device at these or any other conditions above those indicated in the operational section of this specification is not implied. Exposure to absolute maximum rating conditions for extended periods of time may affect reliability.

ORDER GUIDE

| | |
|---------------------------------|-----------------|
| Description | Catalog Listing |
| Standard silicon PIN photodiode | HFD3876-002 |

CAUTION

The inherent design of this component causes it to be sensitive to electrostatic discharge (ESD). To prevent ESD-induced damage and/or degradation to equipment, take normal ESD precautions when handling this product.



FIBER INTERFACE

Honeywell detectors are designed to interface with multimode fibers with sizes (core/cladding diameters) ranging from 50/125 to 200/230 microns. Honeywell performs final tests using 50/125 micron core fiber. The fiber chosen by the end user will depend upon a number of application issues (distance, link budget, cable attenuation, splice attenuation, and safety margin). The 50/125 and 62.5/125 micron fibers have the advantages of high bandwidth and low cost, making them ideal for higher bandwidth installations. The use of 100/140 and 200/230 micron core fibers results in greater power being coupled by the transmitter, making it easier to splice or connect in bulkhead areas. Optical cables can be purchased from a number of sources.

HFD3876

Silicon PIN Photodiode

Fig. 1 Relative Response vs Polar Angle

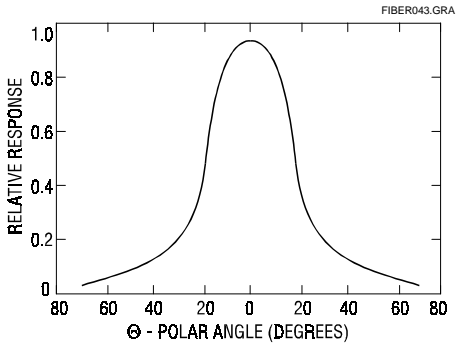


Fig. 2 Spectral Responsivity

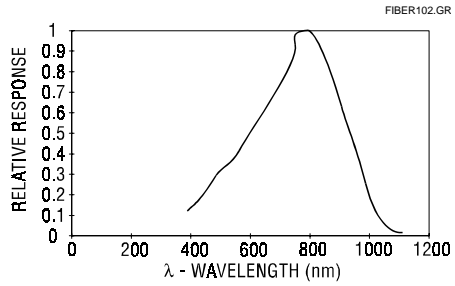


Fig. 3 Relative Responsivity vs Temperature

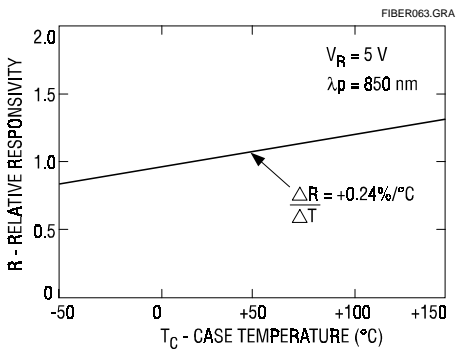
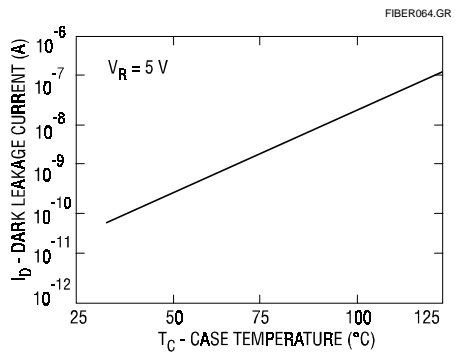


Fig. 4 Dark Leakage Current vs Temperature



Honeywell reserves the right to make changes in order to improve design and supply the best products possible.

Honeywell