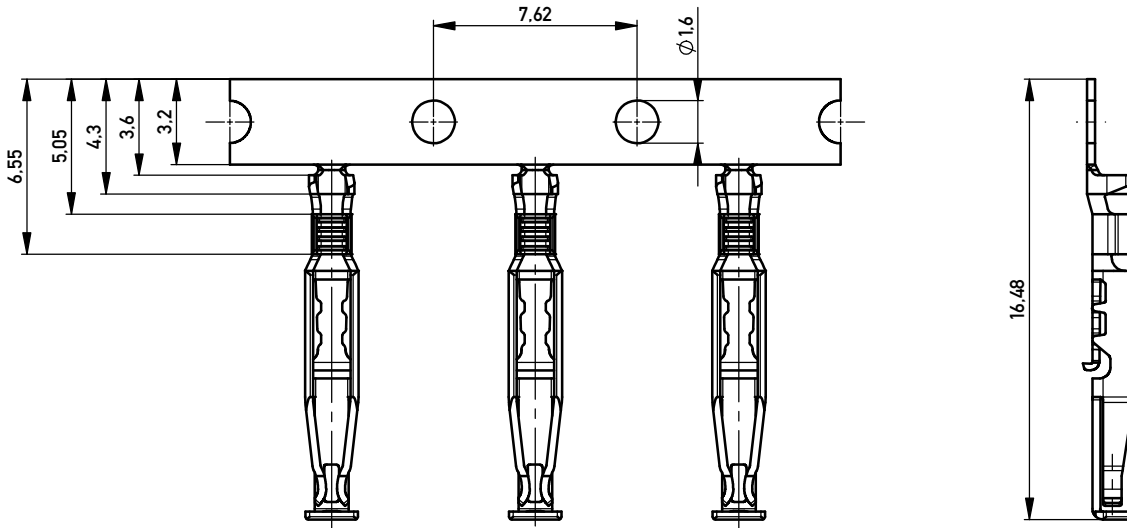
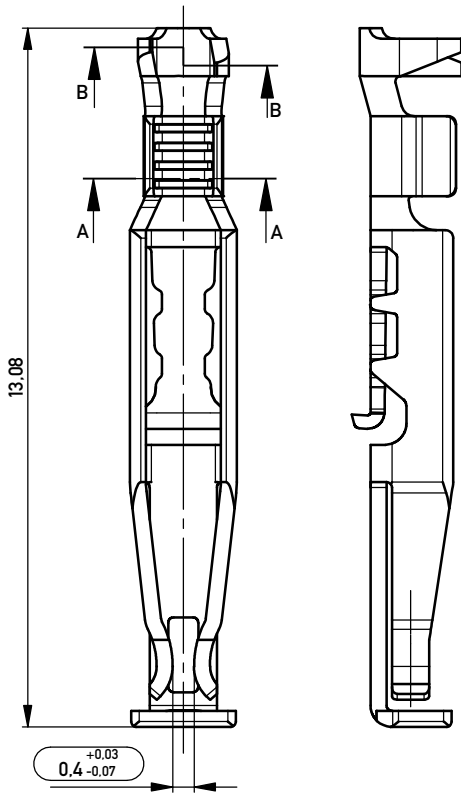


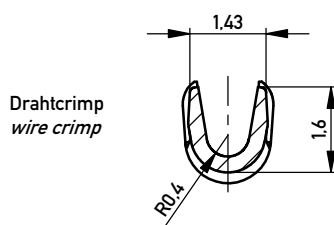
Federkontakte am Band  
spring contact on carrier strip



Federkontakt vereinzelt  
spring contact isolated

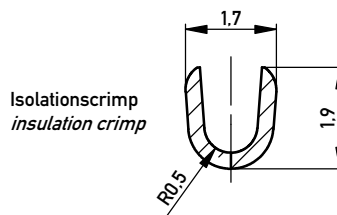


Schnitt A-A  
cross section A-A  
M 10:1

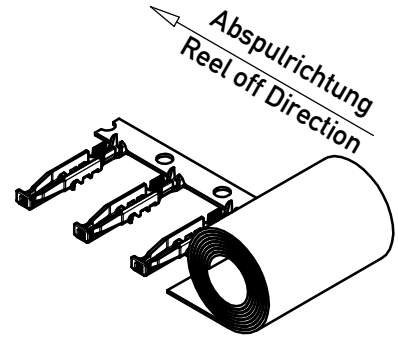


Drahtcrimp  
wire crimp

Schnitt B-B  
cross section B-B  
M 10:1



Isolationscrimp  
insulation crimp



|   |                   |                                    |                            |                     |
|---|-------------------|------------------------------------|----------------------------|---------------------|
| AWG 24-26                               | 500               | ∅ 130                              | 137                        |                     |
| Leiterquerschnitt<br>wire cross section | Menge<br>quantity | Spulendurchmesser<br>reel diameter | Anforderungsstufe<br>class | Bemerkung<br>remark |

|                   |  |   |
|-------------------|--|---|
| Information:      | Tolerances   | Scale 2:1   |
|                   | All rights reserved.<br>Only for Information.<br>To ensure that this is the latest version of this drawing, please contact one of the ERNI companies before using. | Subject to modification without prior notice.<br>Drawing will not be updated. |
| Index             | 16.03.2012   | Class SRCBUT  |
| ERNI www.ERNI.com |  | 103102070001  |
|                   |  | K<br>A3   |

Copyright by ERNI GmbH  
Proprietary notice pursuant to ISO 16016 to be observed.