

6

5

4

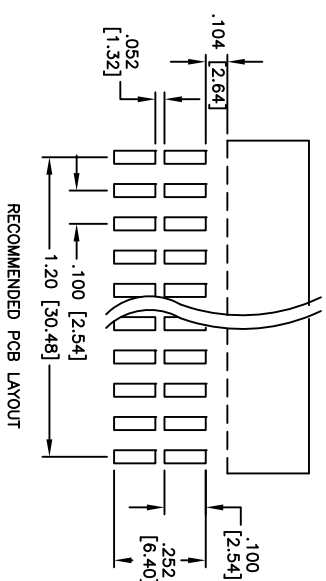
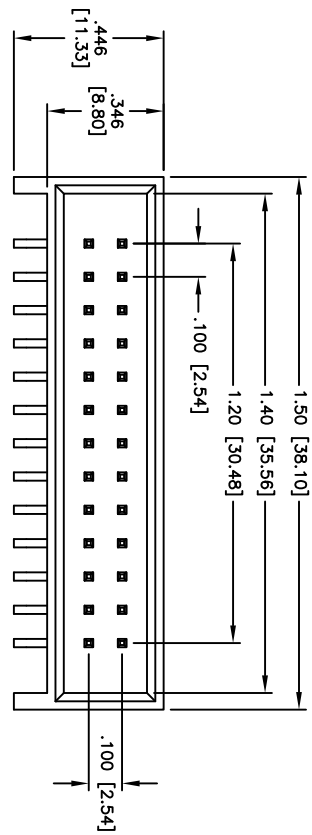
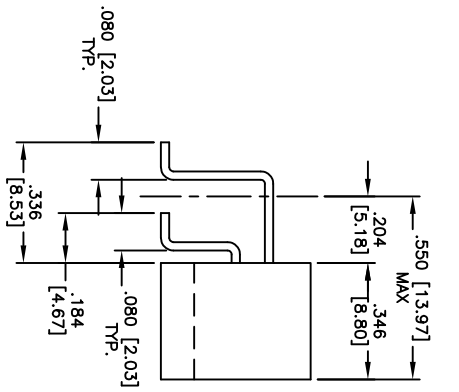
3

2

1

APPROVED: _____
 DATE: _____ TITLE: _____

| Rev | AWO # | Description | Date | Appr |
|-----|-------|-------------|---------|------|
| - | 9350 | RELEASED | 7/14/10 | |
| A | 9350 | ADDED DIM. | 8/24/10 | |



SPECIFICATION:

Material:
 Insulator: Nylon 6T, rated UL-94V-0
 Insulator Color: Black
 Contacts: Phosphor Bronze
Contact Plating:
 Gold flash over Nickel underplate overall.

Electrical:
 Operating Voltage: 250V AC max.
 Current rating: 1 Amps max.
 Contact resistance: 20 mohms max
 Insulation resistance: 5000 Mohms min
 Dielectric withstanding voltage: 1000 VAC / minute

Mechanical:
 Mating durability: 500 cycles min.
Temperature Rating:
 Operating temperature: -40°C TO +105°C
 Environmental:
 Lead free, RoHS compliant.
 Recommended soldering temp: 260°C for 5 sec.

ADAM TECH

909 Railway Avenue, Union, NJ 07083
 Phone: 908-687-5000 Fax: 908-687-5710

CUSTOM R/A BOX HEADER, SMT

| | |
|--|-------------|
| UNLESS OTHERWISE SPECIFIED ALL DIMENSIONS ARE INCHES [MM] | |
| TOLERANCES: EXCEPT AS NOTED | |
| INCHES | MM |
| .X ± .10 | ØX ± .10 |
| .XX ± .020 | ØXX ± .015 |
| .XXX ± .015 | ØXXX ± .010 |
| APPROVALS | DATE |
| DRAWN SS | 7/14/10 |
| CHECKED | |
| APPROVED | |

| | | | |
|----------------------------|----------------------|--------|--------------|
| TITLE | | REV. | |
| CUSTOM R/A BOX HEADER, SMT | | A | |
| SIZE | PART NO. | SCALE: | SHEET 1 OF 1 |
| X | BHR-26-HUA-SMT-A9350 | NIS | |
| REF: | | | |

6

5

4

3

2

1

