

M5 SERIES P8SG-XXXXZH52M 5.2 KV ISOLATED 1.5 W REGULATED DUAL OUTPUT DIP24
Available Inputs:
5, 12 and 24 VDC
Available Outputs:
(+/-) 3.6, 5, 7.2, 12, 15 and 18 VDC

Other specifications please enquire.

Electrical Specifications

(Typical at + 25° C, nominal input voltage, rated output current unless otherwise specified)

Input Specifications

 Voltage range +/- 10 %
 Filter Pi Network

Isolation Specifications

 Rated voltage 5200 Vdc
 Leakage current 1 mA
 Resistance 10⁹ Ohm
 Capacitance 60 pF typ.

Output Specifications

 Voltage accuracy +/- 2 %, max.
 Ripple and noise (at 20 MHz BW) 75 mV p-p, max.
 Short circuit protection Continuous , restart automatic
 Line voltage regulation +/- 0,5 % max.
 Load voltage regulation +/- 0,5 % max.
 Temperature coefficient +/- 0,02 % / °C

General Specifications

 Efficiency 65 % to 85 %
 Switching frequency 125 KHz, typ.

Environmental Specifications

 Operating temperature (ambient) -25°C to +71°C
 Storage temperature - 55 °C to + 125 °C
 Derating See graph
 Humidity Up to 90 %, non condensing
 Cooling Free air convection

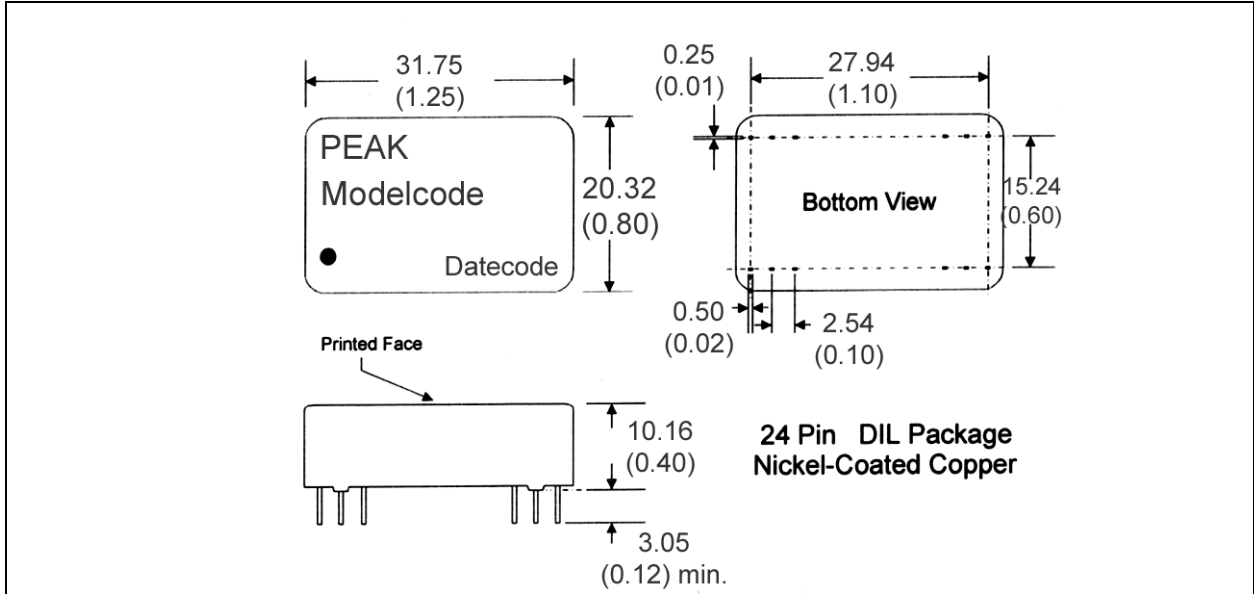
Physical Characteristics

 Dimensions 31,75 x 20,32 x 10,16 mm
 1,25 x 0,80 x 0,40 inches
 Weight 14,5 g
 Case material Nickel Coated Copper

Examples of Partnumbers/Modelcode

PART NO.	INPUT VOLTAGE (VDC) Nominal	INPUT CURRENT NO LOAD	INPUT CURRENT FULL LOAD	OUTPUT VOLTAGE (VDC)	OUTPUT CURRENT (max. mA)	EFFICIENCY FULL LOAD (% TYP.)
P8SG-053R6ZH52M	5	78	443	+/- 3,6	+/- 200	65
P8SG-0505ZH52M	5	75	454	+/- 5	+/- 150	66
P8SG-1205ZH52M	12	70	184	+/- 5	+/- 150	68
P8SG-1212ZH52M	12	67	181	+/- 12	+/- 63	69
P8SG-2405ZH52M	24	32	96	+/- 5	+/- 150	65
P8SG-247R2ZH52M	24	29	91	+/- 7.2	+/- 100	66
P8SG-2415ZH52M	24	26	91	+/- 15	+/- 50	69

Dimensions



Derating Graph and Pinning

