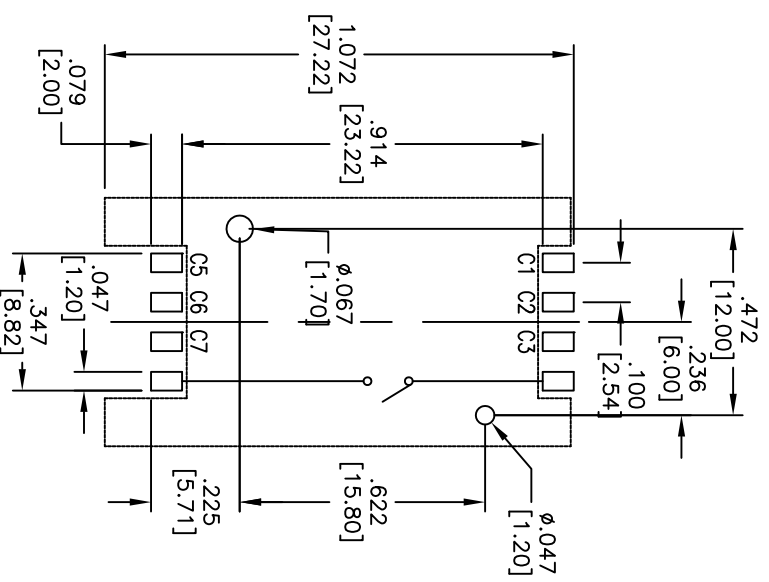
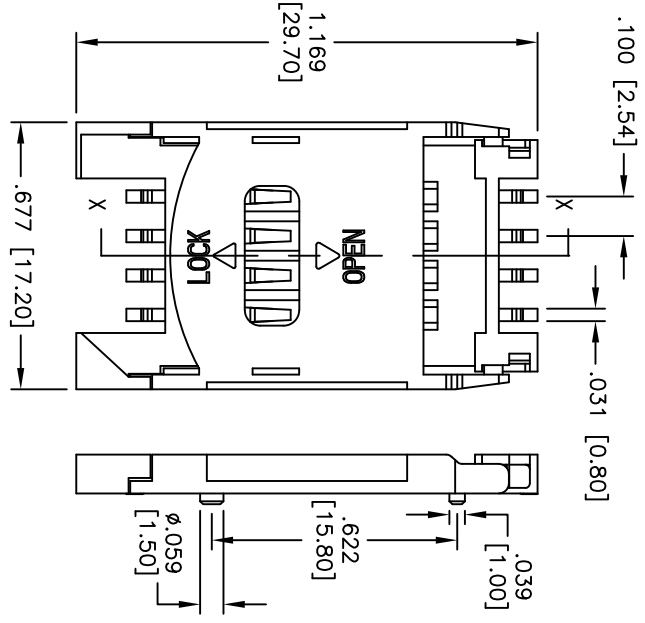


Rev	AWO #	Description	Date	Appr
-		RELEASED	3/26/09	
A		ADDED DIM.	11/02/09	
B		ADDED TITLE	8/10/10	

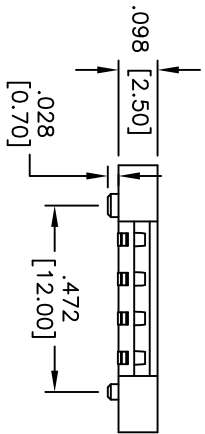
APPROVED: _____
 DATE: _____ TITLE: _____



RECOMMENDED PCB LAYOUT



SECTION: X-X



PACKAGED ON TAPE & REEL

SPECIFICATIONS:
 Material:
 Insulator: LCP, glass reinforced, rated UL 94V-0
 Insulator color: Black
 Contacts: Phosphor Bronze
 Plating:
 Gold flash over Nickel underplate on contact area, tin over copper underplate on tails.

Electrical:
 Operating voltage: 250 VAC max
 Current rating: 0.5 Amp max
 Contact resistance: 30 mohms max
 Insulation resistance: 1,000 Mohms min
 Dielectric withstanding voltage: 500 VAC for 1 minute
 Temperature Rating:
 Operating temperature: -25°C to +85°C

Environmental:
 Lead free, RoHS compliant
 Recommended soldering temp: 260°C for 5 seconds



UNLESS OTHERWISE SPECIFIED ALL DIMENSIONS ARE INCHES [MM]	
TOLERANCES: EXCEPT AS NOTED	
INCHES	HOLES
.X ± .10	ØX ± .10
.XX ± .020	ØXX ± .015
.XXX ± .015	ØXXX ± .010
APPROVALS	DATE
DRAWN	DY
CHECKED	AH
APPROVED	

ADAM TECH
 909 Rahway Avenue, Union, NJ 07083
 Phone: 908-687-5000 Fax: 908-687-5710

TITLE	SIM CARD 6 PIN, W/ HINGED COVER W/ PEG & SWITCH
SIZE	PART NO.
X	SCC-A-06-SG-HC-T/R
REF:	S00009T
SCALE:	NTS
SHEET	1 OF 1
REV.	B