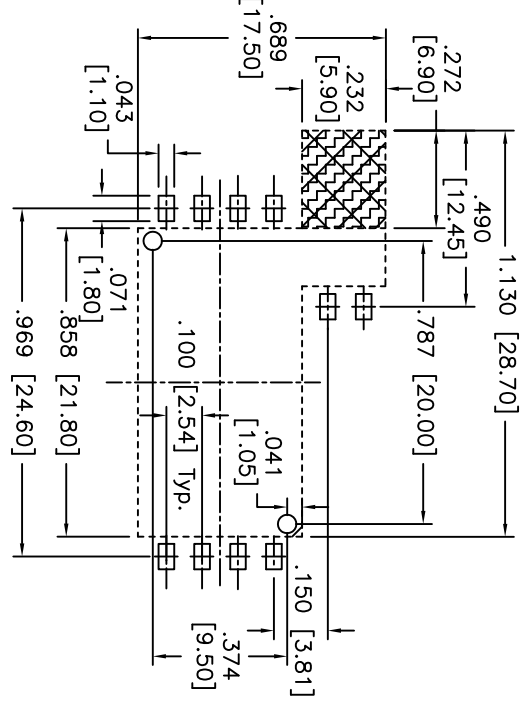
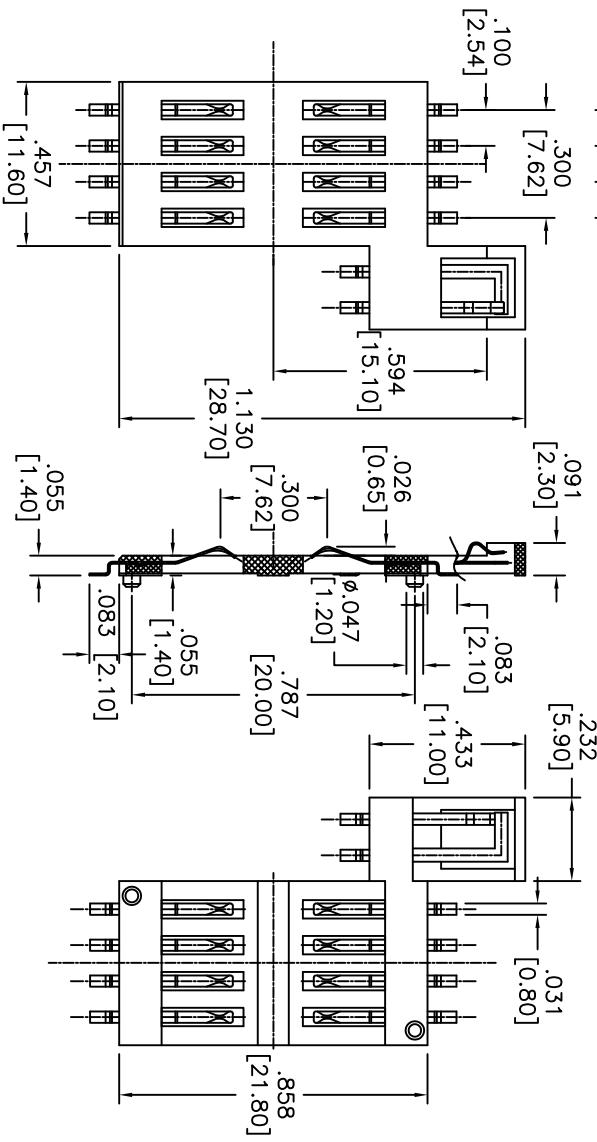
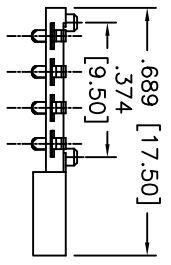


Rev	AWO #	Description	Date	Appr
-		RELEASED	8/12/10	

APPROVED: _____
 DATE: _____ TITLE: _____



SPECIFICATIONS:

Material:
 Insulator: Hi-temp thermoplastic, rated UL 94V-0
 Insulator color: Black
 Contacts: Copper Alloy
 Switch: Blade contact, Normal open

Plating:
 Gold flash over Nickel underplate on contact area,
 Tin over Copper underplate on SMT tails.

Electrical:
 Voltage rating: 30V AC
 Current rating: 1 Amps max
 Contact resistance: 50 mohms max.
 Insulation resistance: 1000 Mohms min
 Dielectric withstanding voltage: 500 VAC for 1 minute

Temperature Rating:
 Operating temperature: -20°C to +70°C

Environmental:
 Lead free, RoHS compliant.
 Recommended soldering temp: 260°C for 5 sec.

No Exposed Circuit In This Area.
 Do Not Mount Other Parts In This Area.

UNLESS OTHERWISE SPECIFIED	
ALL DIMENSIONS ARE INCHES [MM]	
TOLERANCES EXCEPT AS NOTED	
INCHES	HOLDS
.X ± .10	ØX ± .10
.XX ± .020	ØXX ± .015
.XXX ± .015	ØXXX ± .010
APPROVALS	DATE
DRAWN	DY
CHECKED	
APPROVED	

ADAM TECH
 909 Rahway Avenue, Union, NJ 07083
 Phone: 908-687-5000 Fax: 908-687-5710

TITLE: SIM CARD CONNECTOR, 8 POSITION SURFACE MOUNT, W/ SWITCH NORMAL OPEN

SIZE	PART NO.	SCALE	REV.
X	SCC-H1-08-SG-SMT	NTS	-
REF: S00010T			