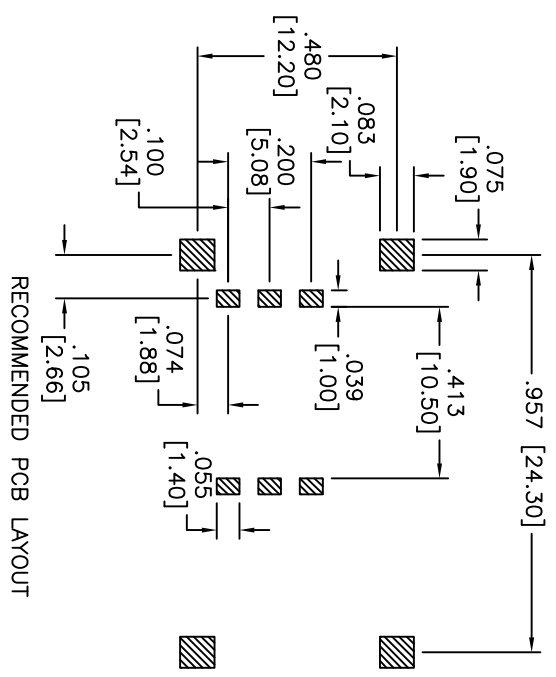
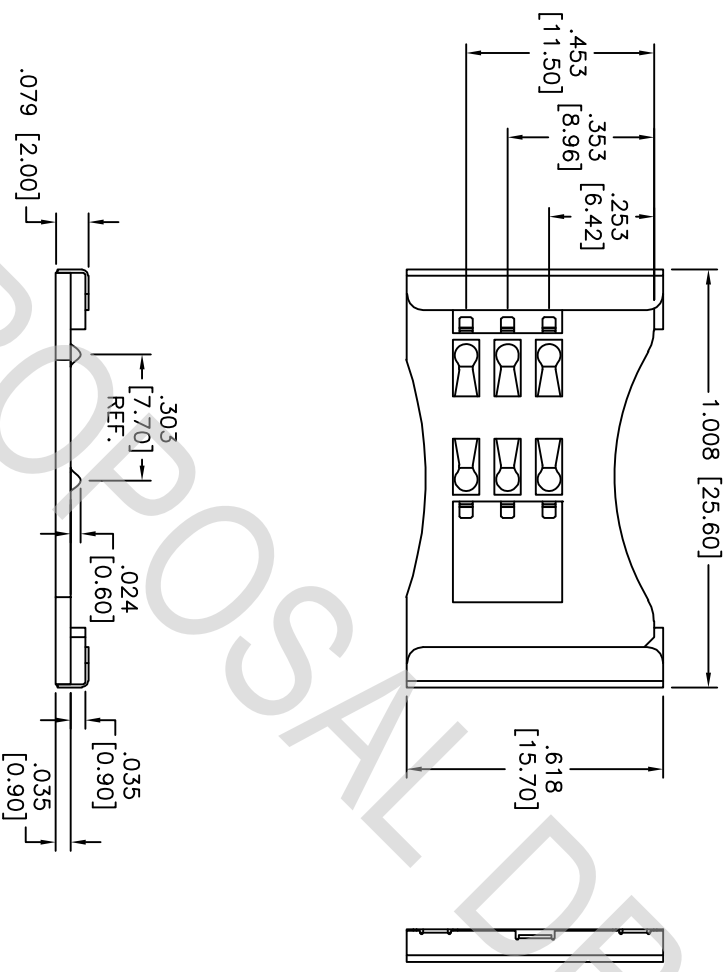


Rev	AWO #	Description	Date	Appr
-		RELEASED	8/11/10	

APPROVED: _____
 DATE: _____ TITLE: _____

DESIGN STAGE FOR SGAER



RECOMMENDED PCB LAYOUT

SPECIFICATIONS:
 Environmental: Lead free, RoHS compliant.

ADAM TECH
 909 Rahway Avenue, Union, NJ 07083
 Phone: 908-687-5000 Fax: 908-687-5710

TITLE
 SIM CARD CONNECTOR, 6 POSITION SURFACE MOUNT

UNLESS OTHERWISE SPECIFIED ALL DIMENSIONS ARE INCHES [MM]	INCHES	±.10	ØX	±.10
		±.020	ØXXX	±.015
		±.015	ØXXX	±.010
APPROVALS	DATE			
DRAWN	DY	8/11/10		
CHECKED				
APPROVED				

SIZE	PART NO.	SCALE	REV.
X	SCC-J-06-SG-SMT	NTS	-
REF: S00163T			

