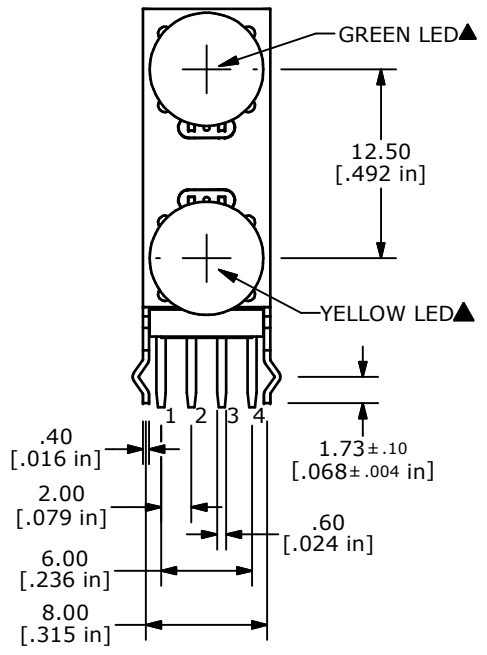
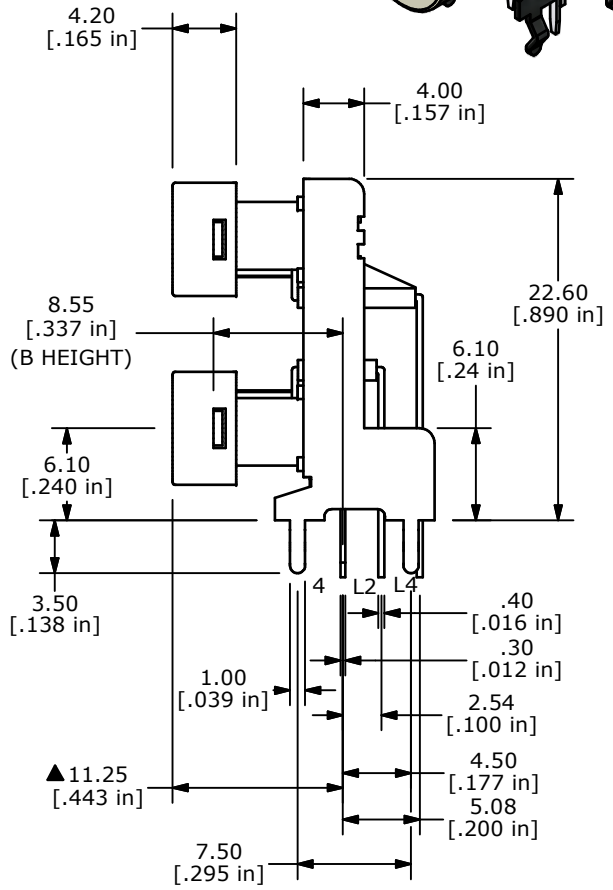
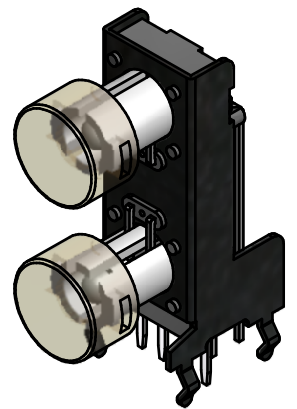
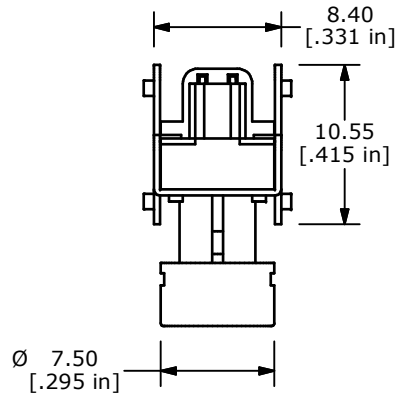
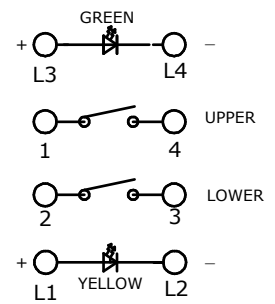
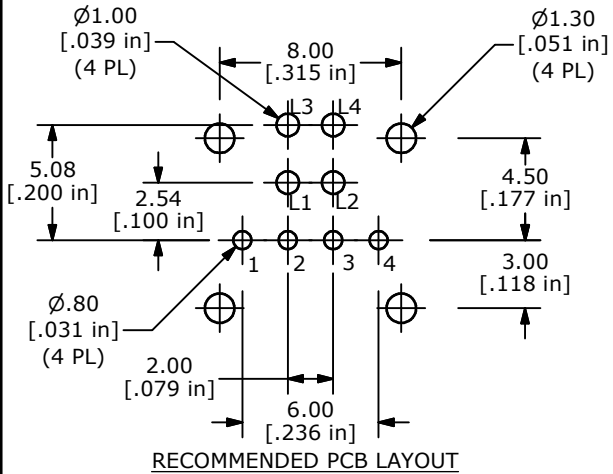


LED SPECS	UNITS	GREEN	YELLOW
FORWARD CURRENT	mA	20	20
FORWARD VOLATGE	V	2.1 TYP - 2.5 MAX	2.0 TYP - 2.5 MAX
LUMINOUS INTENSITY	mcd	600 TYP	2700 TYP



- NOTES:**
1. ALL DIMENSIONS IN MM
  2. GENERAL TOLERANCE: X.X=±0.4  
X.XX=±0.25
  3. TERM. NOS. FOR REFERENCE ONLY.
  4. CONTACT RATING: 50mA @12VDC
  5. TRAVEL: 0.25 ±0.1mm
  6. CONTACT RESISTANCE: 100 Milli-Ohms Max.
  7. OPERATING FORCE: 160 ± 50gf
  - ▲ 8. CONTACT MATERIAL: SILVER
  9. MECHANICAL LIFE: 500,000 CYCLES
  10. OPERATING TEMP: -20°C TO 70°C
  - 11▲ DENOTES CRITICAL PARAMETER.
  - ▲ 12. PACKAGE: TRAY/ 84 PIECES PER
  13. 2002/95/EC (ROHS) COMPLIANT



TITLE TL3253BGBBYBF160Q				
SCALE	DATE 9/17/2013	DR EBP	DWG B060009	REV A

A	21232	RELEASE FOR PRODUCTION	9/17/13	EBP
REV	PCR NO	DESCRIPTION	DATE	BY
THE INFORMATION CONTAINED IN THIS DOCUMENT IS PROPRIETARY TO E-SWITCH AND IS NOT TO BE COPIED OR TRANSFERRED				