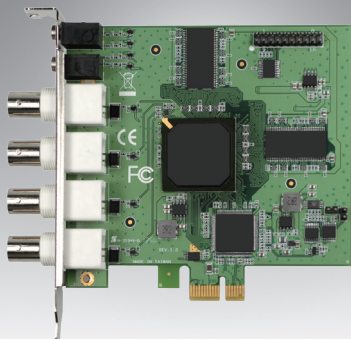


DVP-7637E

4-ch H.264 PCIe Video Capture Card with SDK

NEW



Features

- 4-channel composite video inputs with H.264 hardware compression
- 120/100 fps (NTSC/PAL) at 4CIF resolution for display
- 120/100 fps (NTSC/PAL) at up to 4CIF + CIF dual stream resolution for recording
- PCIe x1 host interface
- Supports Watchdog function
- Windows/Linux OS supported



Introduction

DVP-7637E is a PCI-bus, hardware compression video capture card with 4 analog video and 4 audio inputs. DVP-7637E supports H.264 base line compression format at up to 4CIF resolution at real-time frame rate (30/25fps) for each channel. With an easy-to-use software development kit (SDK) and flexibility to stack multiple cards, DVP-7637E is an ideal solution for various video capture applications or video surveillance.

Specifications

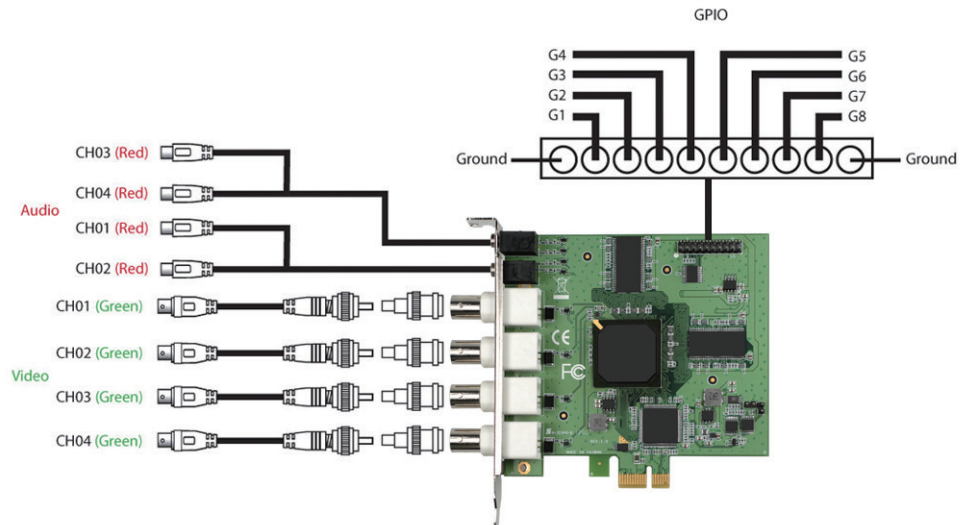
Video	Video Standard	Composite for NTSC/PAL
	Video Input	4 x BNC connectors
	Compression	H/W H.264
	Max. Display Rate	30/25 fps (NTSC/PAL) @ 4CIF/ch
	Max. Recording Rate	30/25 fps (NTSC/PAL) @ 4CIF + CIF dual stream/ch
	Connector	BNC / Male / 1.0Vp-p / 75Ω
Audio	Audio Input	4 x RCA
	Format	MONO/16 bits/8000 Hz
System Requirements	CPU (Display)	Intel Pentium 4 2.0 GHz
	CPU (Recording)	Intel Pentium 4 2.0 GHz
	Memory	512 MB
	VGA	1024 x 768, DirectX 9.0c
	Operating System	Windows XP/XPe/Vista/7; Linux 2.6.14 or higher; 32/64 bits
Physical Characteristics	Host Interface	PCIe x1
	Operating Temperature	-20 ~ 70° C (-4 ~ 158° F)
	Storing Temperature	-40 ~ 85° C (-40 ~ 185° F)
	Dimensions	105 x 101 mm
	Safety	CE/FCC

Versatile SDK Support (For Windows Only)

Advantech provides software development kit (SDK), a set of development tools that allows a software engineer to integrate video capture modules into different types of system. Functions include video recording, playback and instant preview.

- Software Library
- SDK Manual
- Sample Program

Connection Diagram



Ordering Information

Part Number	Description
DVP-7637E	4-ch H.264 PCI Video Capture Card with SDK

Packing List

Item	Amount
DVP-7637E Capture Card	1 (piece)
Audio Cable	2 (piece)
Watchdog Cable (Option)	1 (piece)