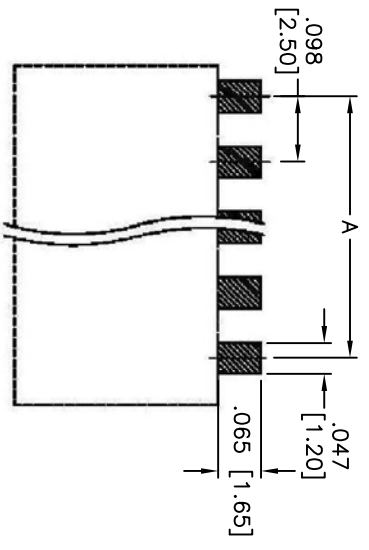
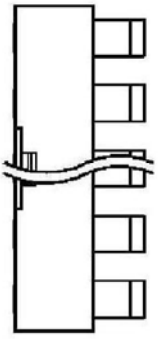
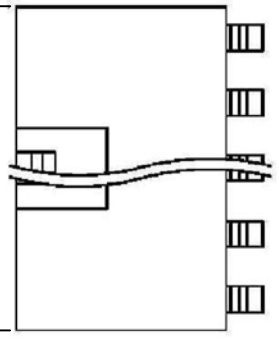
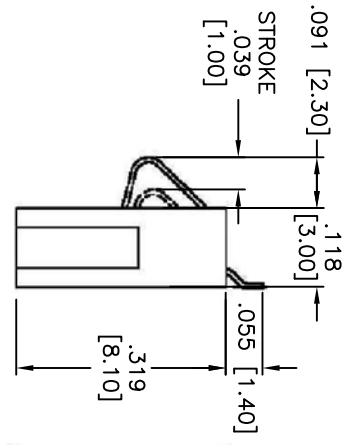
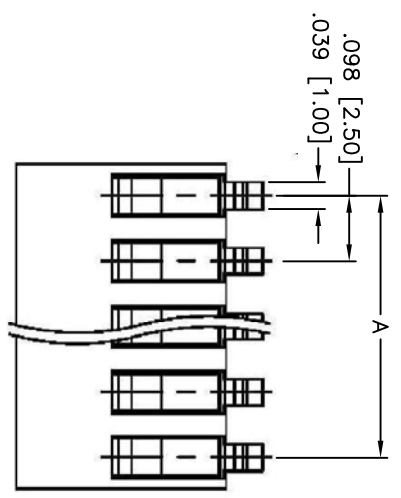


Rev	AWO #	Description	Date	Appr
-		RELEASED	5/18/10	

APPROVED: \_\_\_\_\_  
 DATE: \_\_\_\_\_ TITLE: \_\_\_\_\_



RECOMMENDED PCB LAYOUT

ADAM P/N	Pos.	A	B
MBC-B-2	2	.098 [2.50]	.193 [4.90]
MBC-B-3	3	.197 [5.00]	.291 [7.40]
MBC-B-4	4	.295 [7.50]	.390 [9.90]
MBC-B-5	5	.394 [10.00]	.488 [12.40]

**SPECIFICATION:**

**Material:** Insulator: Hi-temp plastic, Rated UL-94V-0  
 Insulator color: Black  
 Contacts: Copper Alloy

**Plating:** Gold flash on contact, solder all over Nickel.  
**Electrical:** Operating Voltage: 250V AC/DC  
 Current rating: 1A AC/DC Max.  
 Contact resistance: 30 Mohms Max.  
 Insulator resistance: 1000 Mohms Min @ 100V DC  
 Withstanding voltage: 500V AC/minute

**Environmental:** Lead free, RoHS compliant.  
 Recommended soldering temp: 260°C for 5 sec.



**ADAM TECH**

909 Rahway Avenue, Union, NJ 07083  
 Phone: 908-687-5000 Fax: 908-687-5710

TITLE: .098 [2.50] PITCH BATTERY CONNECTOR  
 SPRING TYPE, STRAIGHT TYPE

UNLESS OTHERWISE SPECIFIED ALL DIMENSIONS ARE INCHES [MM]	
TOLERANCES: EXCEPT AS NOTED	
INCHES	HOLDS
.X ± .10	± .10
.XX ± .020	± .015
.XXX ± .015	± .010
APPROVALS	DATE
DRAWN	5/18/10
CHECKED	
APPROVED	

SIZE	PART NO.	REV.
X	MBC-B-X	-
REF:	S0014TT	SCALE: NTS
SHEET	1 OF 1	