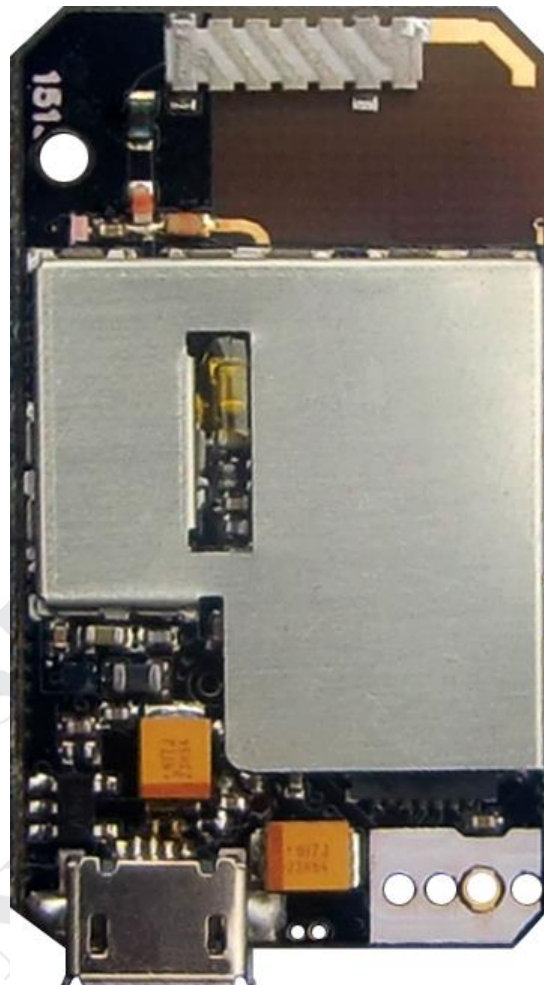


---

**900MHz UHF RFID Module**

---

**Version History**

Version	Date	Changes
V0.01	December 10, 2014	1st. Edition

## Key Features

- Complaint with EPC C1 Gen2 / ISO 18000-6C and FCC modular approval requirements
- On-Board Antenna without extra cost
- Adjustable transmit output level control from 5 dBm to 27 dBm in 1 dB step
- Maximum tag read rate of over 100 tags per second
- Supporting Dense Reader Mode (DRM) and Listen-Before-Talk (LBT) features
- Maximum tag read distance of 4.5 feet (1.5 m)

## Applications

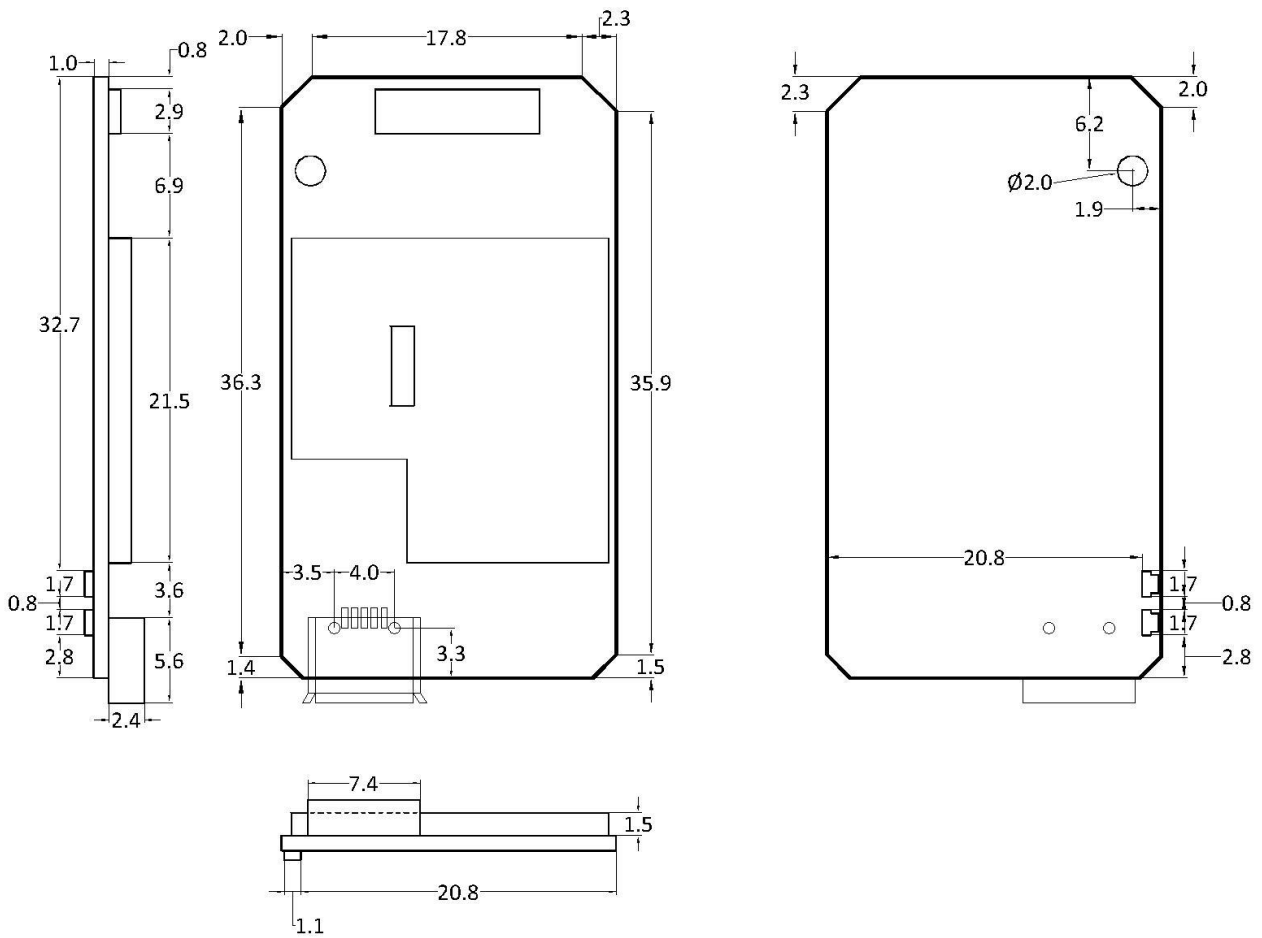
- RFID E-Tag-street parking management
- Asset management
- Library management
- Supermarket Management
- Management of firearms
- Livestock management
- RFID in manufacturing management
- UHF RFID track time application
- Apparel Management
- Jewelry management
- Logistics Management
- Livestock management

## Hardware Specification

### 1.1 Specification

Parameter	Specification
Supply Voltage Range	VDC 3.6V~5V
Current Consumption	Scan mode: 360mA(VDC=4.2V Peak Current)
Operating frequency	902MHz~928MHz
Channel spacing	500KHz
TX power	27dBm( 500mW )
Tag Read Distance	4.5 feet (1.5 m)
Tag Read Rate	Over 100 tags per second
Interface	Logic Levels 3.3V UART
Data Encoding	FM0 or Miller code
Temperature Range	Operating: -10~+60°C    Storage: -30~+85°C
Dimensions	41.45 * 22.75 * 4.5 mm

## 1.2 View



WENSHING  
Do Not Disturb