



UGP7N60

Preliminary

Insulated Gate Bipolar Transistor

600V, SMPS N-CHANNEL IGBT

■ DESCRIPTION

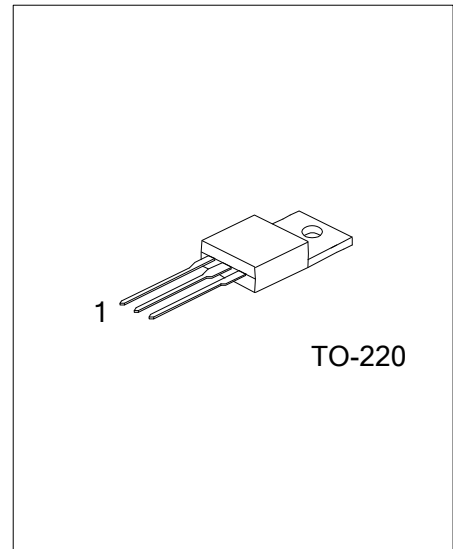
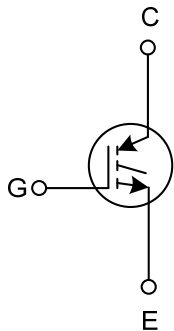
The UTC **UGP7N60** is an N-channel IGBT. it uses UTC's advanced technology to provide customers with high input impedance, high switching speed and low conduction loss, etc.

The UTC **UGP7N60** is suitable for high voltage switching, high frequency switch mode power supplies.

■ FEATURES

- * High switching speed
- * High input impedance
- * Low conduction loss

■ SYMBOL



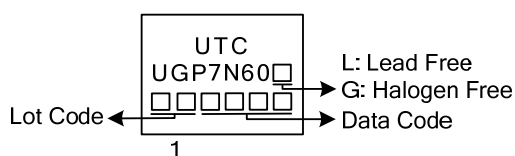
■ ORDERING INFORMATION

Ordering Number		Package	Pin Assignment			Packing
Lead Free	Halogen Free		1	2	3	
UGP7N60L-TA3-T	UGP7N60G-TA3-T	TO-220	G	C	E	Tube

Note: Pin Assignment: G: Gate C: Collector E: Emitter

<p>UGP7N60L-TA3-T</p>	<p>(1) T: Tube</p> <p>(2) TA3: TO-220</p> <p>(3) L: Lead Free, G: Halogen Free and Lead Free</p>
-----------------------	--------------------------------------------------------------------------------------------------

■ MARKING



■ ABSOLUTE MAXIMUM RATINGS ($T_C=25^\circ\text{C}$, unless otherwise specified)

PARAMETER	SYMBOL	RATINGS	UNIT
Collector-Emitter Voltage	V_{CES}	600	V
Continuous Collector Current	I_C	$T_C=25^\circ\text{C}$	34
		$T_C=110^\circ\text{C}$	14
Collector Current Pulsed (Note 2)	I_{CM}	56	A
Gate to Emitter Voltage Continuous	V_{GES}	± 20	V
Gate to Emitter Voltage Pulsed	V_{GEM}	± 30	V
Switching Safe Operating Area at $T_J=150^\circ\text{C}$	SSOA	35 (at 600V)	A
Single Pulse Avalanche Energy at $T_C=25^\circ\text{C}$	E_{AS}	25 (at 7A)	mJ
Power Dissipation Total at $T_C=25^\circ\text{C}$	P_D	125	W
Power Dissipation Derating $T_C>25^\circ\text{C}$		1.0	W/ $^\circ\text{C}$
Junction Temperature	T_J	$-55\sim+150$	$^\circ\text{C}$
Storage Temperature Range	T_{STG}	$-55\sim+150$	$^\circ\text{C}$

Notes: 1. Absolute maximum ratings are those values beyond which the device could be permanently damaged.

Absolute maximum ratings are stress ratings only and functional device operation is not implied.

2. Pulse width limited by maximum junction temperature.

■ THERMAL CHARACTERISTICS

PARAMETER	SYMBOL	RATINGS	UNIT
Junction to Case	θ_{JC}	1.0	$^\circ\text{C}/\text{W}$

■ ELECTRICAL CHARACTERISTICS ($T_J=25^\circ\text{C}$, unless otherwise specified)

PARAMETER	SYMBOL	TEST CONDITIONS	MIN	TYP	MAX	UNIT
Collector-Emitter Breakdown Voltage	BV_{CES}	$I_C=250\mu\text{A}$, $V_{GE}=0\text{V}$	600			V
Emitter to Collector Breakdown Voltage	BV_{ECS}	$I_C=10\text{mA}$, $V_{GE}=0\text{V}$	20			V
Collector-Emitter Leakage Current	I_{CES}	$V_{CE}=600\text{V}$	$T_J=25^\circ\text{C}$		250	μA
			$T_J=125^\circ\text{C}$		2	mA
Collector-Emitter Saturation Voltage	$V_{CE(SAT)}$	$I_C=7\text{A}$, $V_{GE}=15\text{V}$	$T_J=25^\circ\text{C}$	1.3	2.7	V
			$T_J=125^\circ\text{C}$	1	2.2	V
Gate to Emitter Threshold Voltage	$V_{GE(TH)}$	$I_C=250\mu\text{A}$	4.5	5.9	7.2	V
Gate to Emitter Leakage Current	I_{GES}	$V_{GE}=\pm 20\text{V}$			± 250	nA
Switching SOA	SSOA	$T_J=150^\circ\text{C}$, $R_G=25\Omega$, $V_{GE}=15\text{V}$ $L=100\mu\text{H}$, $V_{GE}=600\text{V}$	35			A
Pulsed Avalanche Energy	E_{AS}	$I_{CE}=7\text{A}$, $L=500\mu\text{H}$	25			mJ
Gate to Emitter Plateau Voltage	V_{GEP}	$I_C=7\text{A}$, $V_{CE}=80\text{V}$		10		V
On-State Gate Charge	$Q_{g(ON)}$	$I_C=7\text{A}$, $V_{CE}=300\text{V}$	$V_{GE}=15\text{V}$	37	45	nC
			$V_{GE}=20\text{V}$	48	60	nC
Current Turn-On Delay Time	$t_{d(ON)I}$	IGBT and Diode at $T_J=25^\circ\text{C}$, $I_{CE}=7\text{A}$, $V_{GE}=13.5\text{V}$, $R_G=50\Omega$, $R_L=1\Omega$, Test Circuit (Note)		400		ns
Current Rise Time	t_{rI}			2.6		μs
Current Turn-Off Delay Time	$t_{d(OFF)I}$			300		ns
Current Fall Time	t_{fI}			2		μs

Note: Pulse Test: Pulse width $\leq 50\mu\text{s}$.

■ TEST CIRCUIT AND WAVEFORMS

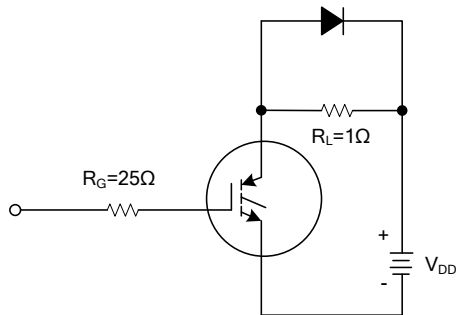


Fig 1. INDUCTIVE SWITCHING TEST CIRCUIT

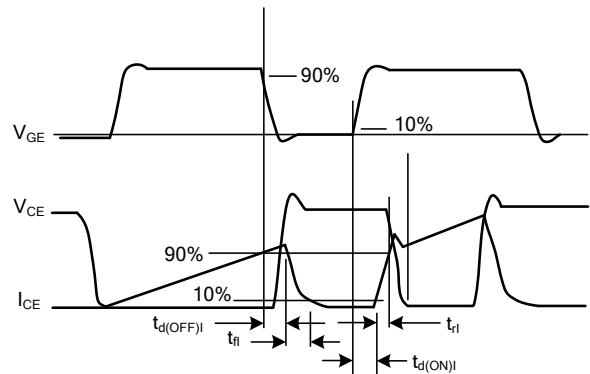


Fig 2. SWITCHING TEST WAVEFORMS

UTC assumes no responsibility for equipment failures that result from using products at values that exceed, even momentarily, rated values (such as maximum ratings, operating condition ranges, or other parameters) listed in products specifications of any and all UTC products described or contained herein. UTC products are not designed for use in life support appliances, devices or systems where malfunction of these products can be reasonably expected to result in personal injury. Reproduction in whole or in part is prohibited without the prior written consent of the copyright owner. The information presented in this document does not form part of any quotation or contract, is believed to be accurate and reliable and may be changed without notice.