

FEATURES

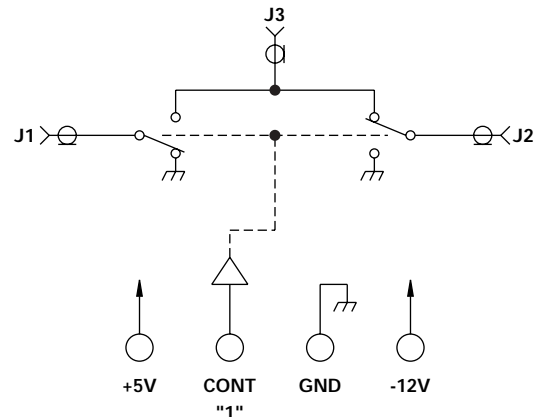
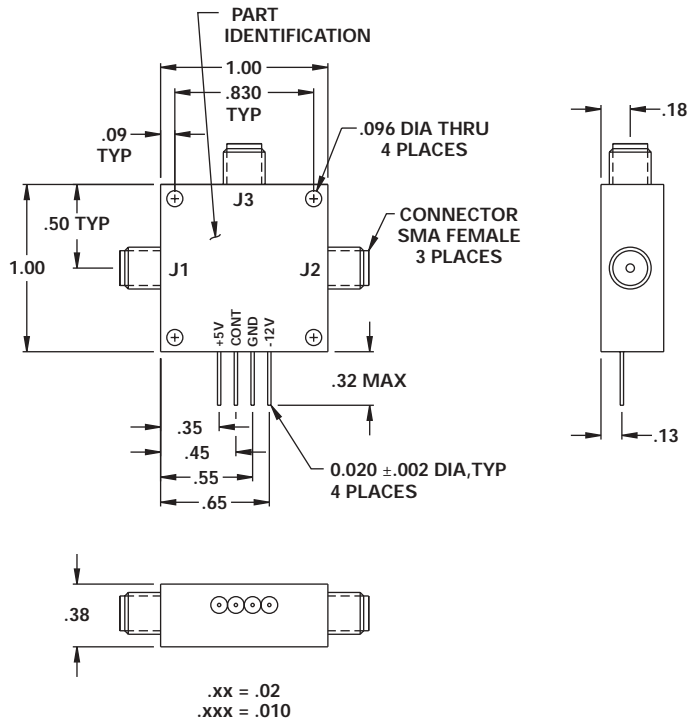
- .5 - 6 GHz
- +49 dBm 3rd Order Intercept Point
- 0.5 dB Insertion Loss
- High Isolation
- SMA Connectors



MODEL NO.
150C6252

Switch SP2T

SP2T



GUARANTEED PERFORMANCE

Parameter	Min	Typ	Max	Units	Conditions
Operating Frequency	0.5		6	GHz	
DC Current		10.6 22.4	150 160	mA	At +5 VDC Supply At -12 VDC Supply
Control Type		TTL			1 Line Logic "1" = J2 - J3
Control Current		High Low	±1 ±1	µA	V _{IH} = +2.7 V V _{IL} = +0.5 V
Insertion Loss		0.43 0.51	0.9 1.1	dB	0.5 - 2.0 GHz 2.0 - 6.0 GHz
Isolation	40	62		dB	
VSWR		Thru	1.12/1 1.7/1		
Impedance		50		OHMS	
Switching Speed		0.17	2	µSec	50% TTL - 90% / 10% RF
Switching (Video) Transients		115		mV	Peak Value
Intercept Points		2nd 3rd	+50 +49	dBm	1.0 / 2.0 GHz 1.0 / 3.0 GHz
RF Power		Operate No Damage	+27 +20	dBm	0.1 dB Compression
Operating Temperature	-54	+25	+55	°C	TA

