



Micro Commercial Components

## *Micro Commercial Components Corp.*

### Products End of Life Notification

Issue date: Sept-1<sup>st</sup>-2009

EOL No#: 122209-B

Last Buy Date :N/A

Description and Purpose:

MCC has undergone a review of its core business and products , and

determined to discontinue below products:

Discontinued Devices	Possible Replacements
MC7812CT	N/A



Micro Commercial Components

Micro Commercial Components  
20736 Marilla Street Chatsworth  
CA 91311  
Phone: (818) 701-4933  
Fax: (818) 701-4939

# MC7812CT

## Three-Terminal Positive Voltage Regulators

### Features

- Output current in excess of 1.0 Ampere
- No external components required
- Internal thermal overload protection
- Internal short-circuit current limiting
- Output voltage offered in 2% tolerance
- Case Material: Molded Plastic. UL Flammability Classification Rating 94V-0

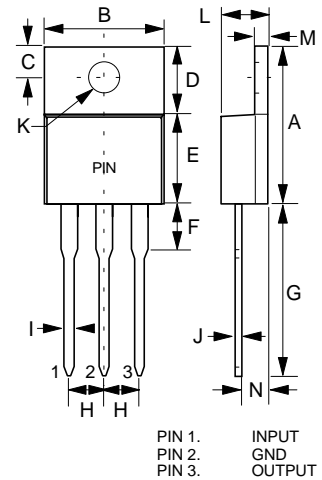
### Maximum Ratings @ T<sub>A</sub>=25°C, Unless Otherwise Noted

Parameter	Symbol	Value	Unit
Input Voltage	V <sub>I</sub>	30	V
Operating Ambient Temperature	P <sub>D</sub>	15	W
Operating Junction Temperature	T <sub>OPR</sub>	-20---+75	°C
Storage Temperature Range	T <sub>STG</sub>	-55---+125	°C

### Electrical Characteristics (V<sub>I</sub>=19V, I<sub>O</sub>=500mA, 0°C<T<sub>J</sub><125°C, C<sub>i</sub>=0.33uF, C<sub>o</sub>=0.1uF, Unless Otherwise Specified)

Parameter	Sym	Min	Typ	Max	Test conditions
Output Voltage	V <sub>O</sub>	11.76V	12V	12.24V	T <sub>J</sub> =25°C
		11.66V		12.34V	14.5V ≤ V <sub>I</sub> ≤ 30V, 5mA ≤ I <sub>O</sub> ≤ 1.0A, P <sub>D</sub> =15W
Load Regulation	ΔV <sub>O</sub>		12mV	240mV	5mA ≤ I <sub>O</sub> ≤ 1.5A, T <sub>J</sub> =25°C
			4.0mV	120mV	250mA ≤ I <sub>O</sub> ≤ 750mA, T <sub>J</sub> =25°C
Line regulation	ΔV <sub>O</sub>		10mV	240mV	14.5V ≤ V <sub>I</sub> ≤ 30V, T <sub>J</sub> =25°C
			3.0mV	120mV	16V ≤ V <sub>I</sub> ≤ 22V, T <sub>J</sub> =25°C
Quiescent Current	I <sub>q</sub>		4.3mA	8.0mA	T <sub>J</sub> =25°C, I <sub>O</sub> =0
Quiescent Current Change	ΔI <sub>q</sub>			1.0mA 0.5mA	14.5V ≤ V <sub>I</sub> ≤ 30V 5mA ≤ I <sub>O</sub> ≤ 1.0A
Output Noise Voltage	V <sub>N</sub>		75μV		10Hz ≤ f ≤ 100KHz T <sub>J</sub> =25°C
Ripple Rejection	RR	55dB	71dB		f=120Hz
Dropout Voltage	V <sub>d</sub>		2.0V		I <sub>O</sub> =1.0A, T <sub>J</sub> =25°C
Output Short Circuit Current	R <sub>o</sub>		18mohm		f=1.0KHz
Output Short Circuit Current	I <sub>os</sub>		350mA		T <sub>J</sub> =25°C
Peak Output Current	I <sub>opeak</sub>		2.2A		T <sub>J</sub> =25°C
Temperature Coefficient of Output voltage	ΔV <sub>O</sub> /ΔT <sub>J</sub>		1.0mV/°C		0°C ≤ T <sub>J</sub> ≤ 125°C, I <sub>O</sub> =5mA

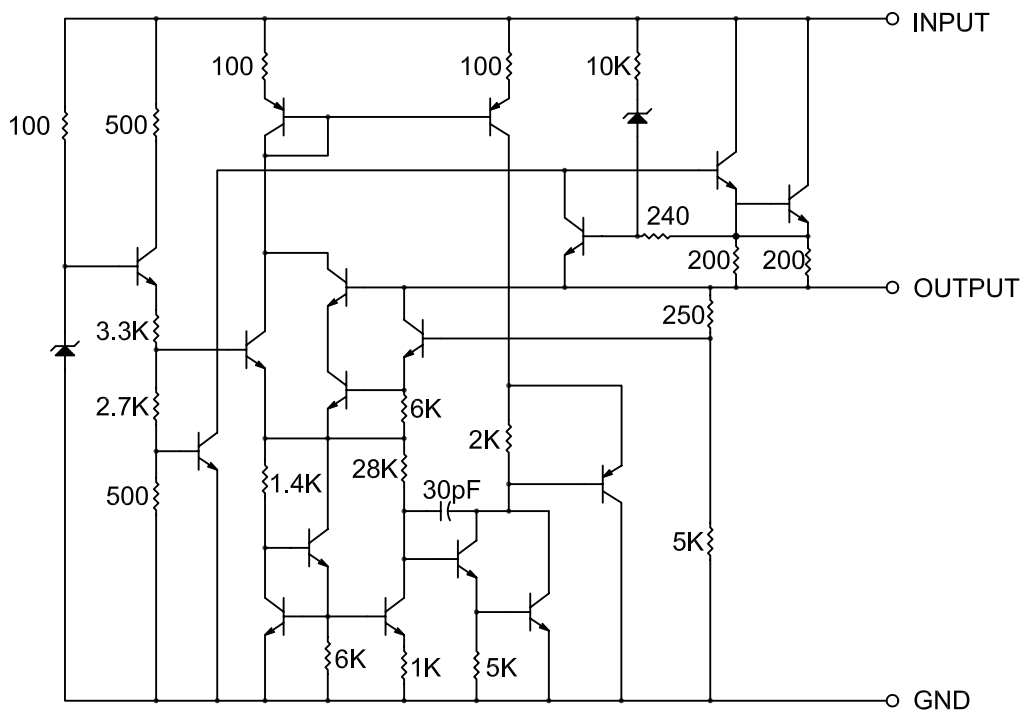
### TO-220



DIM	INCHES		MM		NOTE
	MIN	MAX	MIN	MAX	
A	.560	.625	14.22	15.88	
B	.380	.420	9.65	10.67	
C	.100	.135	2.54	3.43	
D	.230	.270	5.84	6.86	
E	.380	.420	9.65	10.67	
F	-----	.250	-----	6.35	
G	.500	.580	12.70	14.73	
H	.090	.110	2.29	2.79	
I	.020	.045	0.51	1.14	
J	.012	.025	0.30	0.64	
K	.139	.161	3.53	4.09	∅
L	.140	.190	3.56	4.83	
M	.045	.055	1.14	1.40	
N	.080	.115	2.03	2.92	

# MC7812CT

## Representation Schematic Diagram





Micro Commercial Components

## Ordering Information

Device	Packing
(Part Number)-BP	Bulk;1Kpcs/Box

**\*\*\*IMPORTANT NOTICE\*\*\***

*Micro Commercial Components Corp.* reserves the right to make changes without further notice to any product herein to make corrections, modifications, enhancements, improvements, or other changes. *Micro Commercial Components Corp.* does not assume any liability arising out of the application or use of any product described herein; neither does it convey any license under its patent rights, nor the rights of others. The user of products in such applications shall assume all risks of such use and will agree to hold *Micro Commercial Components Corp.* and all the companies whose products are represented on our website, harmless against all damages.

**\*\*\*APPLICATIONS DISCLAIMER\*\*\***

Products offer by *Micro Commercial Components Corp.* are not intended for use in Medical, Aerospace or Military Applications.

---

[www.mccsemi.com](http://www.mccsemi.com)