



PARA LIGHT ELECTRONICS CO., LTD

Tel: 886-2-2225-3733

Fax: 886-2-2225-4800

Mail: [para@para.com.tw](mailto:para@para.com.tw)

Website: <http://www.para.com.tw>

# 150W High Bay Light

## Product Data Sheet

Model Number : MILF150WCWC1-U

Rev.: A /2



Producer: ZhuangWei      Auditing: \_\_\_\_\_      Approval: \_\_\_\_\_



# 150W High Bay Light

MILF150WCWC1-U

Rev.: A /2

## ◆ Product Features and Overview:

- I 28pcs LED integrated light source/ High efficiency LED Module/ 76lm/w.
- I Ceramic circuit board and Aluminum die casting heat sink base with a cooling fan
- I Low noise cooling fan, noise level(THD)43.3~47.3dB(A)
- I Instant on/off
- I Does not produce ultra violet (UV) light or IR
- I Environmentally friendly – no mercury or other hazardous materials & fully recyclable
- I Universal AC input /Full range, 100~277V
- I Thermal protection system
- I Short circuit / Over current / Over voltage / Over temperature protection
- I Glass cover
- I IP41 design for indoor
- I RoHS, CE
- I UL/CUL: E353926



# 150W High Bay Light

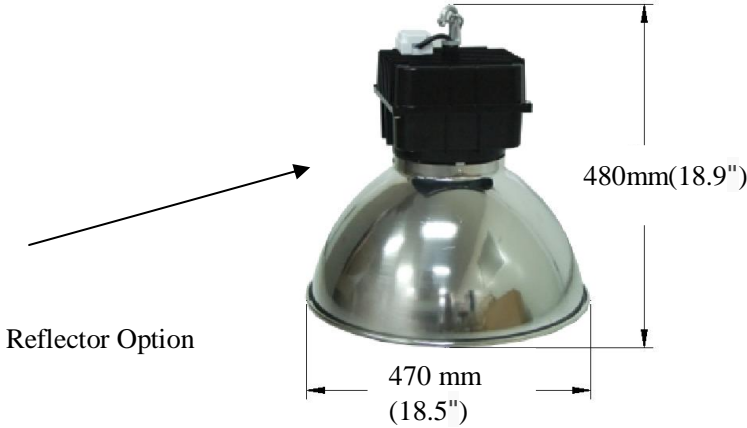
MILF150WCWC1-U

Rev.: A /2

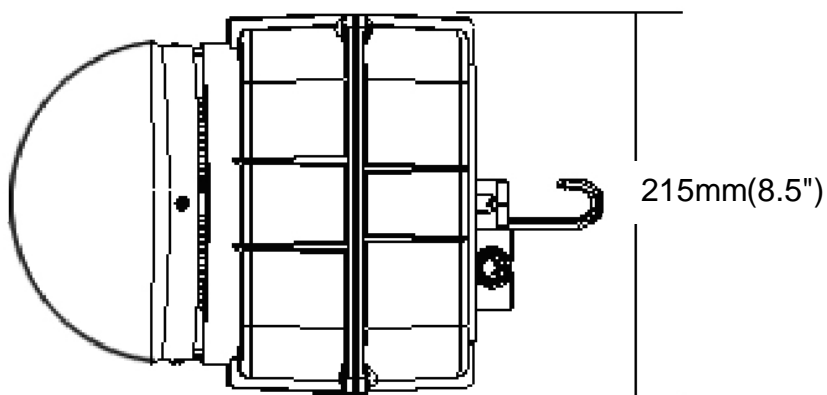
## ◆ Photo:



Shell color: black or white



## ◆ Dimensions:



Unit: mm(inch)  
Tolerance: ±10mm



# 150W High Bay Light



MILF150WCWC1-U

Rev.: A /2

## ◆ Electrical Characteristics:

Input Voltage Range	100~277V
Power Consumption	150W±10%
Input frequency	50/60Hz
LED Type	CREE(XML)
LED Quantity	28pcs
Color Temperature	6000 K±500K
Operating Temp	-25~50℃(-13~122°F)
PFC	>0.9
Color Rendering Index	>70
IP	IP41
Life	>35,000h

## ◆ Optical Characteristics:

Reflector	Aluminum(AL)	Polycarbonate(PC)
Model Number	ATH0-10530-Z048	ATH0-10830-Z122
Photo		
Weight	5.44kg(12.0lb)	5.49kg(12.1lb)
Luminous Efficacy	80Lm/W	75Lm/W
Luminous Flux (±10%lm)	12,000lm	11,250lm

\*Specifications are subject to change without notice

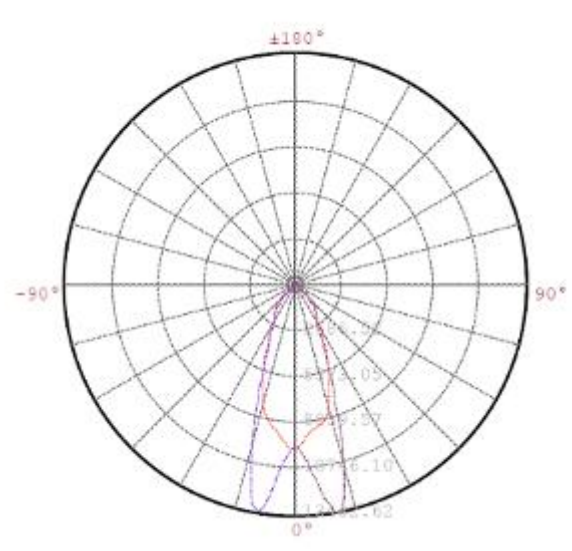


# 150W High Bay Light

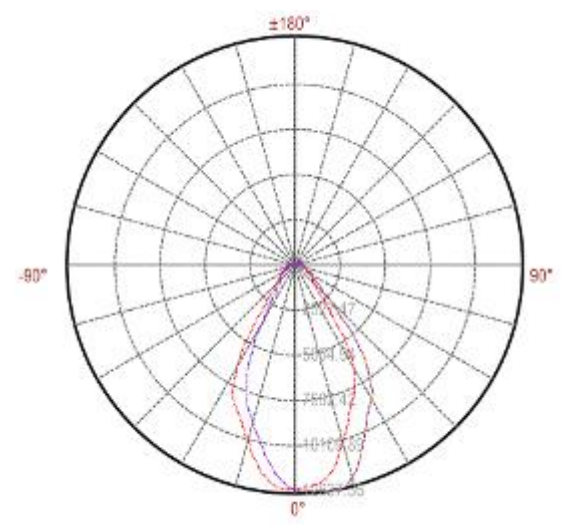
MILF150WCWC1-U

Rev.: A / 2

## ◆ Light intensity distribution: (Unit: CD)

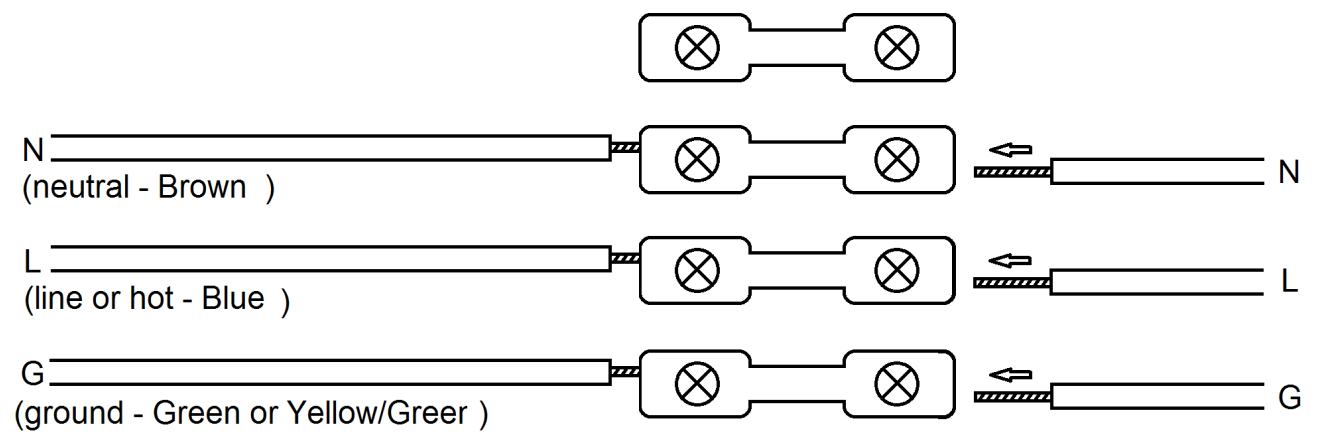


AL reflector



PC reflector

## ◆ Wire box:





# 150W High Bay Light

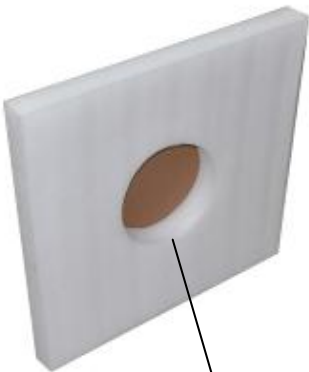
MILF150WCWC1-U

Rev.: A /2

## ◆ Packaging Method:



carton size mm(inch) :  
395(15.4")x290(11.4") x 290(11.4")  
1box : 1pcs  
Weight (Kg/Lb):5.68(12.5)



Reflector Al: ATH0-10530-Z048  
carton size mm(inch) :  
550(21.7")x540(21.3")x 440(17.3")  
1box : 5pcs  
Weight (Kg/Lb):6.14(13.5)

Reflector PC: ATH0-10830-Z122  
carton size mm(inch) :  
550(21.7")x540(21.3")x 440(17.3")  
1box : 3pcs  
Weight (Kg/Lb):6.14(13.5)

