



TAI-SAW TECHNOLOGY CO., LTD.

No. 3, Industrial 2nd Rd., Ping-Chen Industrial District,
Taoyuan, 324, Taiwan, R.O.C.

TEL: 886-3-4690038 FAX: 886-3-4697532

E-mail: tstsales@mail.taisaw.com Web: www.taisaw.com

Approval Sheet For Product Specification

Issued Date:

Product Name: SAW Resonator 868.275 MHz SMD 5X5 mm

TST Parts No.: TC0207A

Customer Parts No.: _____

| |
|---------------------|
| Company: _____ |
| Division: _____ |
| Approved by : _____ |
| Date: _____ |

Checked by: Vincent Liu

Approval by: Francis Chen

Date: 2002/12/05



TAI-SAW TECHNOLOGY CO., LTD.

No. 3, Industrial 2nd Rd., Ping-Chen Industrial District,
Taoyuan, 324, Taiwan, R.O.C.

TEL: 886-3-4690038 FAX: 886-3-4697532

E-mail: tstsales@mail.taisaw.com Web: www.taisaw.com

SAW Resonator 868.275 MHz

MODEL NO.: TC0207A

REV. NO.:2

A. FEATURES:

1. 1-Port Resonator.

B. MAXIMUM RATING:

1. Input Power Level: 0 dBm

2. DC voltage: 12 V

3. Operating Temperature: -40°C to +85°C

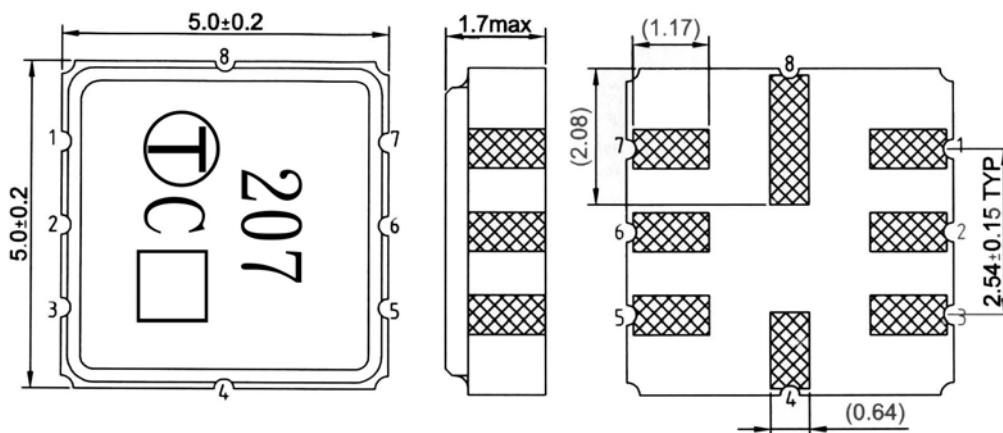
4. Storage Temperature: -40°C to +85°C

C. ELECTRICAL CHARACTERISTICS:

| Characteristic | Units | Minimum | Typical | Maximum |
|--------------------------------|----------------|---------------|---------|---------|
| Center frequency Fr | MHz | 868.200 | 868.275 | 868.350 |
| Insertion Loss IL | dB | - | 1.3 | 2.5 |
| Equivalent Elements | | | | |
| Motional capacitance C1 | fF | - | 1.24 | - |
| Motional inductance L1 | μH | - | 27.20 | - |
| Motional resistance R1 | Ohm | - | 17.56 | - |
| Parallel capacitance Co | pF | - | 2.52 | - |
| Temp.coeff. | ppm/c*2 | - | 0.032 | - |
| Turnover To | deg.C | 20 | 25 | 40 |
| Package size | | SMD 5X5X1.4mm | | |

RoHS Compliant
Lead free
Lead-free soldering

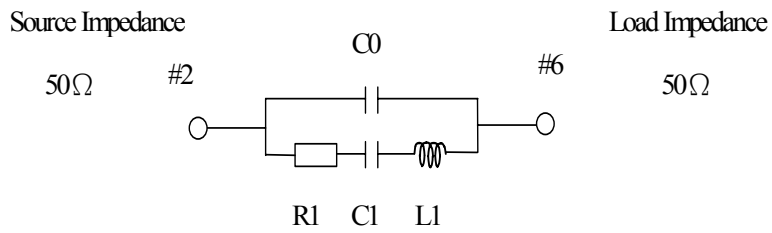
D. OUTLINE DRAWING:



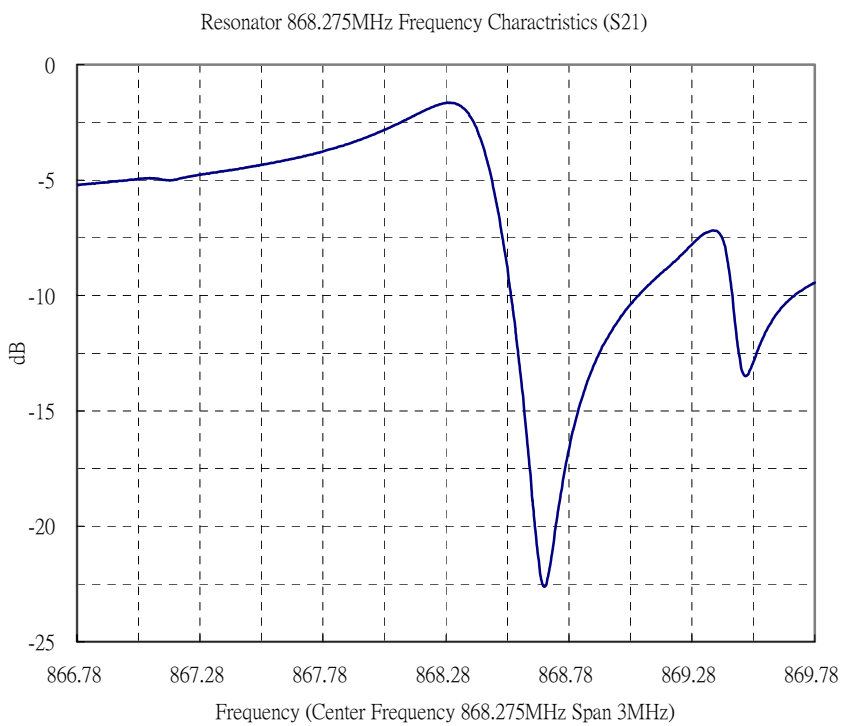
#2 : Input or Output
#6 : Output or Input
#4、8 : Case Ground
#1、3、5、7 : Ground
□ : Date code
Unit : mm

E. EQUIVRENT CIRCUIT:

One-Port Resonator:

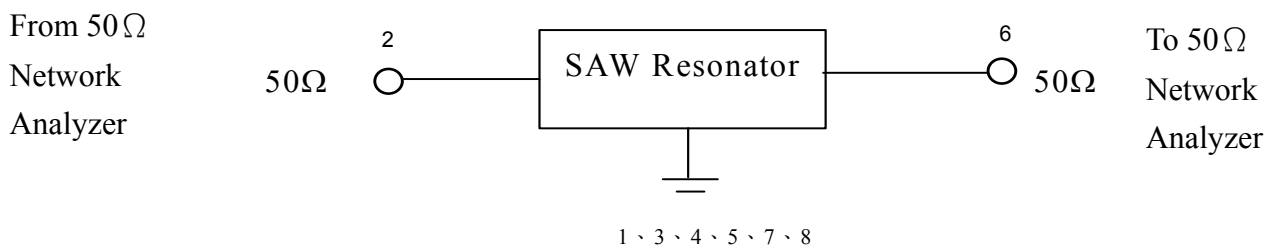


F. FREQUENCY CHARACTERISTICS:



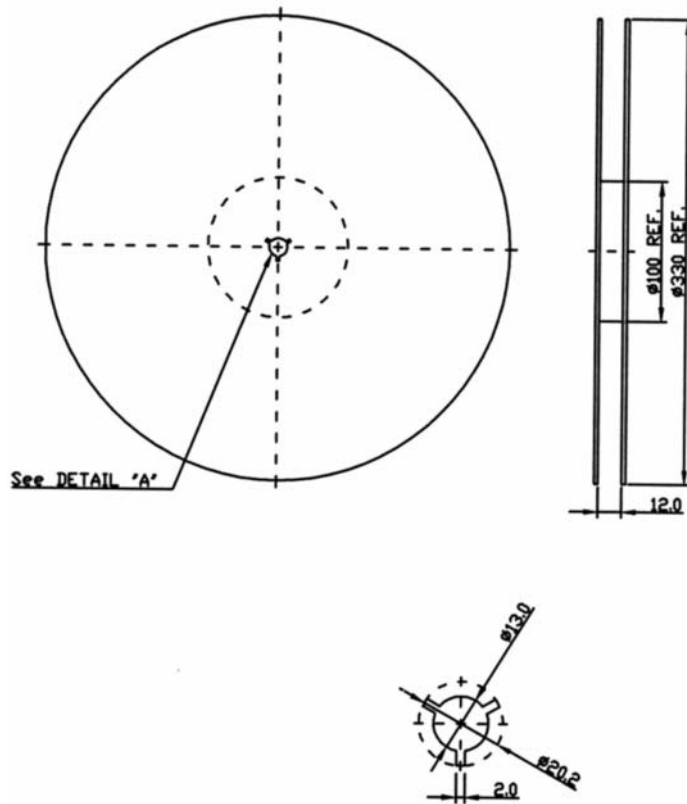
G. TEST CIRCUIT:

Network analyzer



H. PACKING:

1. REEL DIMENSION



2. TAPE DIMENSION

