

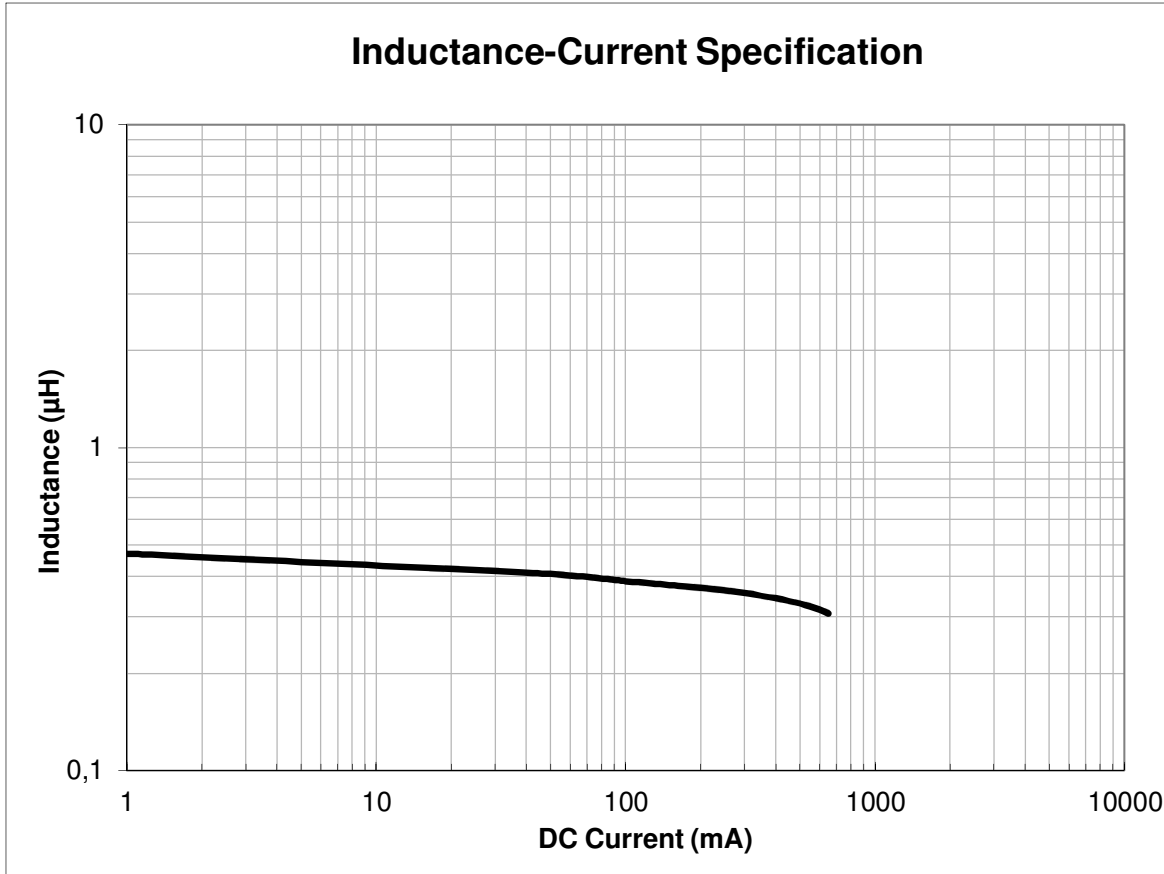
Spezifikation für Freigabe / specification for release

Kunde / customer :
 Artikelnummer / part number : **74479763147**
 Bezeichnung : **SMD-Powerinduktivität WE-PMI**
 description : **SMD-power inductance WE-PMI**



DATUM / DATE : 2011-07-25

H Induktivitätskurve / Inductance curve :



Freigabe erteilt / general release:	Kunde / customer			
.....			
Datum / date	Unterschrift / signature			
	Würth Elektronik			
.....			
Geprüft / checked	Kontrolliert / approved	DDi	Version 1	11-07-25
		Name	Änderung / modification	Datum / date

Würth Elektronik eiSos GmbH & Co. KG

D-74638 Waldenburg · Max-Eyth-Strasse 1 - 3 · Germany · Telefon (+49) (0) 7942 - 945 - 0 · Telefax (+49) (0) 7942 - 945 - 400
<http://www.we-online.com>

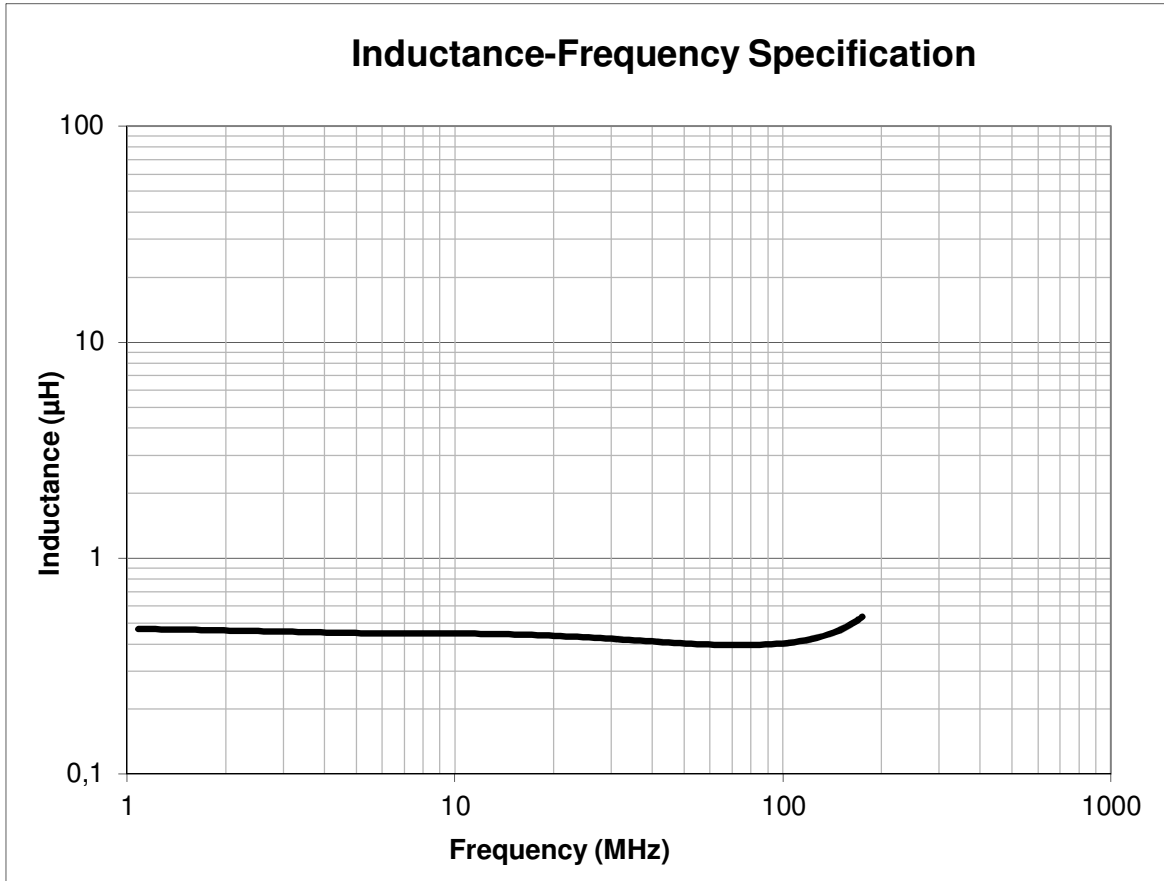
Spezifikation für Freigabe / specification for release

Kunde / customer :
 Artikelnummer / part number : **74479763147**
 Bezeichnung : **SMD-Powerinduktivität WE-PMI**
 description : **SMD-power inductance WE-PMI**



DATUM / DATE : 2011-07-25

I Induktivitätskurve / Inductance curve :



Freigabe erteilt / general release:	Kunde / customer			
.....			
Datum / date	Unterschrift / signature			
	Würth Elektronik			
.....	DDi	Version 1	11-07-25
Geprüft / checked	Kontrolliert / approved	Name	Änderung / modification	Datum / date

Würth Elektronik eiSos GmbH & Co. KG

D-74638 Waldenburg · Max-Eyth-Strasse 1 - 3 · Germany · Telefon (+49) (0) 7942 - 945 - 0 · Telefax (+49) (0) 7942 - 945 - 400
<http://www.we-online.com>

Spezifikation für Freigabe / specification for release

Kunde / customer :
 Artikelnummer / part number : **74479763147**
 Bezeichnung : **SMD-Powerinduktivität WE-PMI**
 description : **SMD-power inductance WE-PMI**

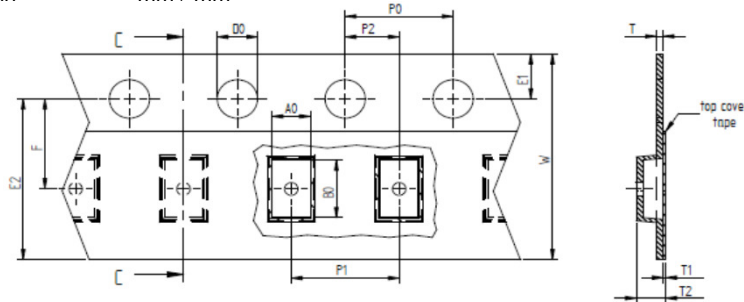


DATUM / DATE : 2011-07-25

J Rollenspezifikation / Tape & Reel specification :

Tape Spezifikation / tape specification

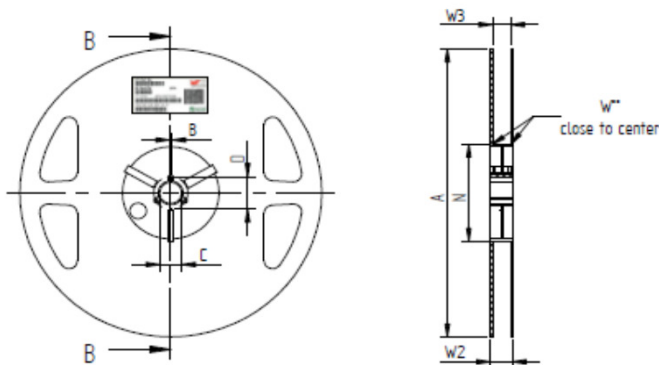
Material / Material: Polystyrene / polystyrene
 Abmessungen in / dimensions in mm / mm



	A0	B0	W	P1	T	T1	T2	D0	E1	E2	F	P0	P2	VPE / packaging unit	
tolerance	typ.	typ.	+0,3 0,1	±0,1	±0,1	max.	typ.	+0,3 -0,1	±0,1	min.	±0,05	±0,1	±0,05		
size	0603	1,10	1,90	8,00	4,00	0,25	0,10	1,10	1,50	1,75	6,25	3,50	4,00	2,00	4000

Reel Spezifikation / reel specification

Material / Material: Kunststoff / Plastic
 Abmessungen in / dimensions in mm / mm



Maß / size	Bandbreite 8 mm / Tape width 8 mm	
A	178	
B	1,5	min.
C	13,0	± 0,8
D	20,2	min.
N	50	min.
W1	8,4	± 1,5
W2	14,4	max.
W3	7,9	min.
W3	10,9	max.

Freigabe erteilt / general release:	Kunde / customer			
.....			
Datum / date	Unterschrift / signature			
	Würth Elektronik			
.....			
Geprüft / checked	Kontrolliert / approved			
		DDi	Version 1	11-07-25
		Name	Änderung / modification	Datum / date

This electronic component has been designed and developed for usage in general electronic equipment. Before incorporating this component into any equipment where higher safety and reliability is especially required or if there is the possibility of direct damage or injury to human body, for example in the range of aerospace, aviation, nuclear control, submarine, transportation, (automotive control, train control, ship control), transportation signal, disaster prevention, medical, public information network etc, Würth Elektronik eiSos GmbH must be informed before the design-in stage. In addition, sufficient reliability evaluation checks for safety must be performed on every electronic component which is used in electrical circuits that require high safety and reliability functions or performance.

Würth Elektronik eiSos GmbH & Co. KG

D-74638 Waldenburg · Max-Eyth-Strasse 1 - 3 · Germany · Telefon (+49) (0) 7942 - 945 - 0 · Telefax (+49) (0) 7942 - 945 - 400
<http://www.we-online.com>