

Model(型號): CARRON FILM TRIMMER POTENTIOMETER-----H101[x] [x] [x] H1

► Download PDF file



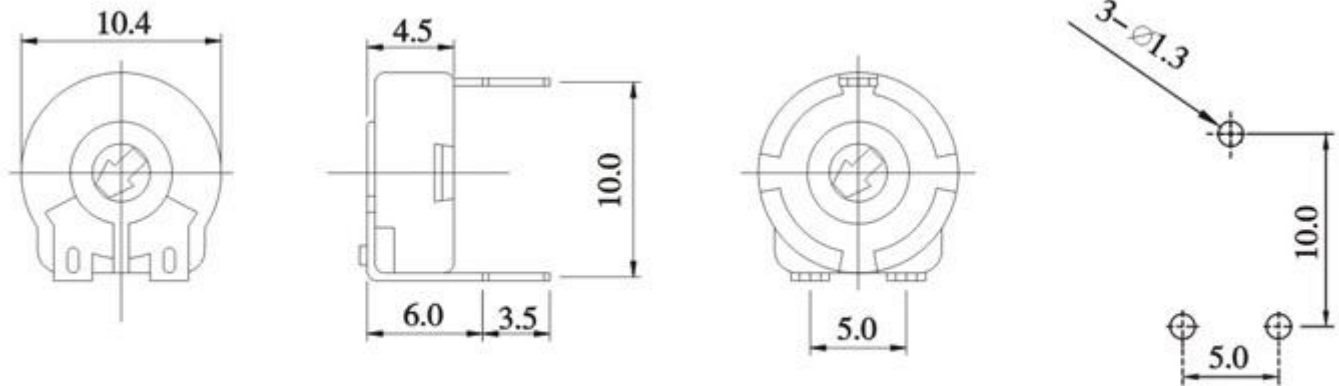
Features:(特點):

Compact design with a good space factor

Applications(作用):

For volume controls, electronic tuning and brightness control in radio , headphone stereo,liquidcrystal TV set,personal computer, CD-ROM,ect.

Dimensions(規格圖):



Specifications(規格)

Electrical Characteristics [電氣性能]

Total resistance [全阻抗值]	100Ω - 3.5MΩ
Total resistance tolerance [全阻抗值容許差]	±20% or ±30%
Ratings power(w) [額定功率]	0.1W
Resistance taper [阻抗變化特性]	Taper B
Residual resistance [殘留阻值]	全阻值3%ΩMAX
Max. operating voltage [最高使用電壓]	AC 200V

Mechanical Characteristics [機械性能]

Operation torque [回轉力矩]	30~250gf . cm
Rotation stopper strength [止動強度]	0.8Kgf . cm Min.
Total rotational angle [回轉角度]	240 ±10°

Endurance Characteristics [耐久性能]

Rotational life [回轉壽命]	50 cycles
--------------------------	-----------