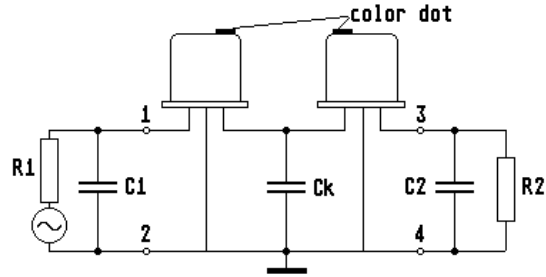
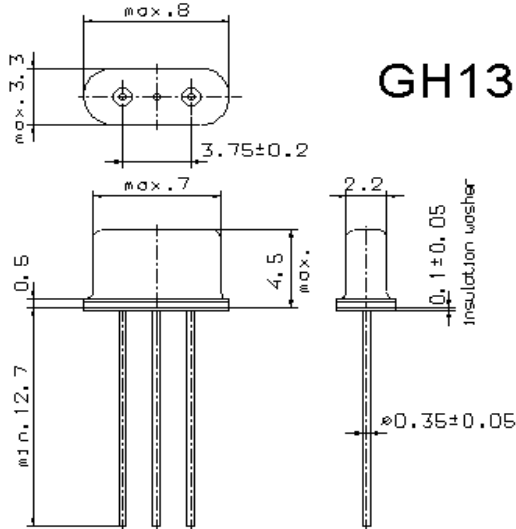


Specification for monolithic crystal filter:

MQF 45.0-1000/02

1. General

1.1. Package:



- | | |
|-----------------------------------|------------------|
| 1.2. Type name: | MQF 45.0-1000/02 |
| 1.3. Number of poles: | 4 |
| 1.4. Operable temperature range: | -25°C to +80°C |
| 1.5. Operating temperature range: | -20°C to +70°C |
| 1.6. Storage temperature range: | -35°C to +85°C |

2. Electric values

2.1. Nominal centre frequency fo: 45.0 MHz

2.2. Pass band

- | | |
|---|------------------------------------|
| 2.2.1. Bandwidth between 3 dB - frequencies: | $\geq f_0 \pm 5.0$ kHz |
| 2.2.2. Ripple: | ≤ 1.0 dB at $f_0 \pm 3.0$ kHz |
| 2.2.3. Insertion loss:
(measured on smallest attenuation in pass band) | ≤ 4.0 dB |

2.3. Stop band

- | | |
|-------------------------|--------------|
| 2.3.1. $f_0 \pm 20$ kHz | ≥ 40 dB |
| 2.3.2. $f_0 - 910$ kHz | ≥ 85 dB |

2.4. Terminating impedance (input / output): 250 Ω // 10 pF

2.4.1. Coupling capacitance Cc: 27 pF

3. Marking: M 45 B8
VI date code

4. Environment conditions: Corresponding to Vectron standard CF001