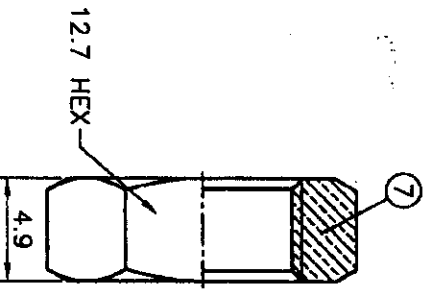
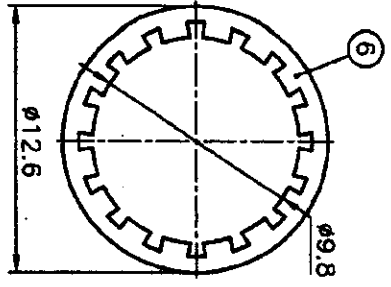
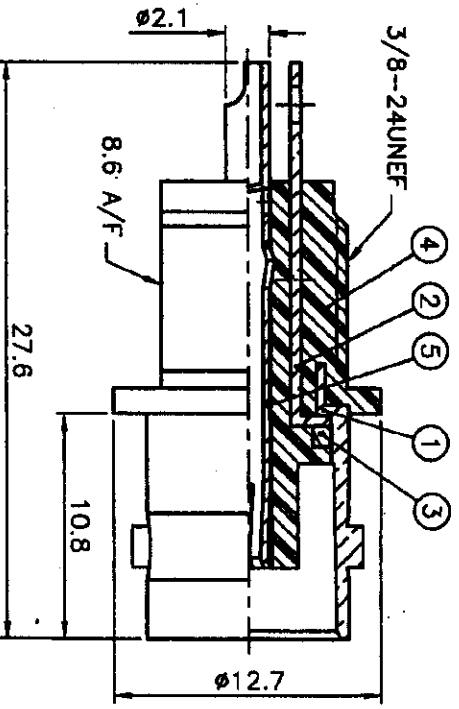


Rev	AWO #	Description	Date	Appr
-	329	RELEASED	1/8/04	

APPROVED: _____ TITLE: _____
 DATE: _____



- NOTES: FINISH (PLATING THICKNESS IN MICRO-INCHES)
- BRASS PER QQ-B-626
 - GOLD PL FLUSH OVER NICKEL PL 70 MIN THICK OVER COPPER STRIKE
 - GOLD PL 3 MIN OVER NICKEL PL 70 MIN THICK OVER COPPER STRIKE
 - PHOSPHOR BRONZE PER QQ-B-750
 - NICKEL PL 70 MIN THICK OVER COPPER STRIKE

NO.	DESCRIPTION	MATERIAL	FINISH	QTY
1	BODY	NOTE 1	NOTE 2	
2	GROUNDING TAG	NOTE 1	NOTE 2	
3	LOCK RING	NOTE 1	NOTE 5	1
4	INSULATOR	ABS	WHITE	
5	CONTACT PIN	NOTE 4	NOTE 3	1
6	WASHER	SS41	NOTE 2	1
7	NUT	NOTE 1	NOTE 2	1

UNLESS OTHERWISE SPECIFIED
 ALL DIMENSIONS ARE MM (INCHES)
 TOLERANCES: EXCEPT AS NOTED
 INCHES: .10 .020 .015
 .XXX ± .015
 APPROVALS: _____ DATE: _____

ADAM TECH
 909 Rowley Avenue, Union, NJ 07083
 Phone: 908-687-5000 Fax: 908-687-5710
BNC BULKHEAD RECEPTACLE JACK
 50 OHMS

DRAWN	SLS	1/8/04	SIZE	PART NO.	REF:	SCALE:	SHEET	REV.
CHECKED			X	RF1-08-D-14-50-G		MKS	1 OF 1	
APPROVED								