

CMOS LOGIC IC ELM7S14B Schmitt Inverter

■General description

ELM7S14B is CMOS schmitt inverter IC. It realizes high speed operation similar to LS-TTL with lower power consumption by CMOS features. The inner circuit structure of 3-stage logic gate obtains wider noise immunity and constant output.

■Features

- Same electrical characteristic as 74HC series (output current is around 1/2 of 74HC series)
- Low voltage operation : $I_{dd}=1.0\mu\text{A}(\text{Max.})(T_{op}=25^{\circ}\text{C})$
- Wide power voltage range : 2.0V to 6.0V
- High speed : $T_{pd}=5\text{ns}(\text{Typ.})(V_{dd}=5.0\text{V})$
- Symmetrical output impedance : $|I_{oh}|=I_{ol}=2\text{mA}(\text{Min.})(V_{dd}=4.5\text{V})$
- Small package : SOT-25

■Application

- Cell phones
- Digital cameras
- Portable electrical appliances like PDA, etc.
- Computers and peripherals
- Digital electrical appliances like LCD TV sets, DVD recorders/players, STB, etc.
- Modification inside print board, adjustment of timing, solution to noise

■Selection guide

ELM7S14B-EL

Symbol		
a	Function	14: Schmitt inverter
b	Product version	B
c	Taping direction	EL: Refer to PKG file

ELM7S $\frac{14}{a}$ $\frac{B}{b}$ - $\frac{EL}{c}$

■Maximum absolute ratings

Parameter	Symbol	Limit	Unit
Power supply voltage	V _{dd}	-0.5 to +7.0	V
Input voltage	V _{in}	-0.5 to V _{dd} +0.5	V
Output voltage	V _{out}	-0.5 to V _{dd} +0.5	V
Input protection diode current	I _{ik}	±20	mA
Output parasitic diode current	I _{ok}	±20	mA
Output current	I _{out}	±25	mA
VDD/GND current	I _{dd} , I _{gnd}	±25	mA
Power dissipation	P _d	200	mW
Storage temperature	T _{stg}	-65 to +150	°C

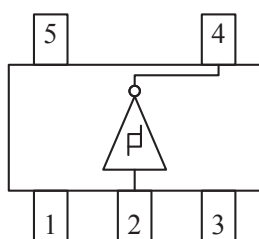
CMOS LOGIC IC ELM7S14B Schmitt Inverter

■ Suggested operating condition

Parameter	Symbol	Limit	Unit	
Power voltage	Vdd	2.0 to 6.0	V	
Input voltage	Vin	0 to Vdd	V	
Output voltage	Vout	0 to Vdd	V	
Operating temperature	Top	-40 to +85	°C	
High-input down-time	tr, tf	Vdd=2.0V	0 to 1000	ns
		Vdd=4.5V	0 to 500	
		Vdd=6.0V	0 to 400	

■ Pin configuration

SOT-25(TOP VIEW)



Pin No.	Pin name
1	NC
2	INY
3	GND
4	OUTX
5	VDD

Input	Output
INY	OUTX
Low	High
High	Low

■ AC electrical characteristics

CL=15pF, tr=tf=6ns, Vdd=5V

Parameter	Sym.	Top=25°C			Unit	Condition
		Min.	Typ.	Max.		
Output transition time	tTLH		5	10	ns	Refer to test circuit
	tTHL		5	10		
Propagation delay-time	tPLH		7	15	ns	Refer to test circuit
	tPHL		7	15		

CL=50pF, tr=tf=6ns

Parameter	Sym.	Vdd	Top=25°C			Top=-40 to +85°C		Unit	Condition
			Min.	Typ.	Max.	Min.	Max.		
Output transition time	tTLH	2.0		50	125		155	ns	Refer to test circuit
		4.5		14	25		31		
		6.0		12	21		26		
	tTHL	2.0		50	125		155	ns	
		4.5		14	25		31		
		6.0		12	21		26		
Propagation delay-time	tPLH	2.0		48	100		125	ns	Refer to test circuit
		4.5		12	20		25		
		6.0		9	17		21		
	tPHL	2.0		48	100		125	ns	
		4.5		12	20		25		
		6.0		9	17		21		
Input capacity	Cin			5	10		10	pF	
Equivalent inner capacity	Cpd			10				pF	

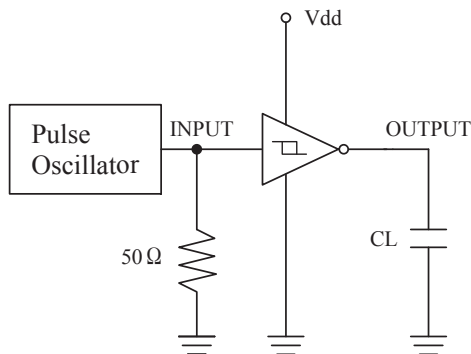
* Cpd is IC's inner equivalent capacity which is calculated from non-loaded operating current consumption referred to test circuit. Averaged operating current consumption at non load is calculated as following formula: $I_{dd(opr)} = Cpd \cdot Vdd \cdot f_{in} + I_{dd}$

CMOS LOGIC IC ELM7S14B Schmitt Inverter

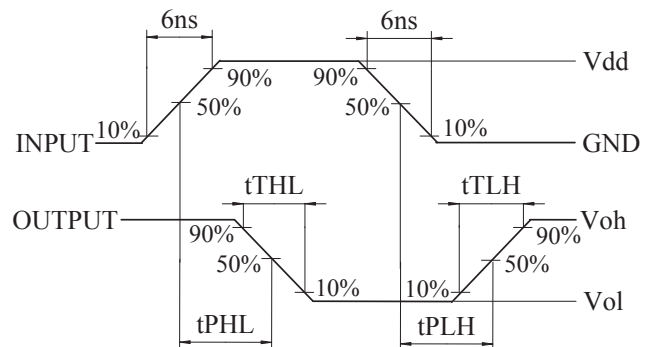
■ DC electrical characteristics

Parameter	Sym.	Vdd	Top=25°C			Top=-40 to +85°C		Unit	Condition	
			Min.	Typ.	Max.	Min.	Max.			
Threshold voltage	Vt+	2.0			1.50		1.50	V		
		4.5			3.15		3.15			
		6.0			4.20		4.20			
	Vt-	2.0	0.30			0.30		V		
		4.5	0.90			0.90				
		6.0	1.20			1.20				
Hysteresis voltage	Vh	2.0	0.20		1.20	0.20	1.20	V		
		4.5	0.40		2.25	0.40	2.25			
		6.0	0.60		3.00	0.60	3.00			
Output voltage	Voh	2.0	1.90	2.00		1.90		V	Vin=Vih or Vil	Ioh=-20μA
		4.5	4.40	4.50		4.40				Ioh=-2mA
		6.0	5.90	6.00		5.90				Ioh=-2.6mA
		4.5	4.18	4.31		4.13				
		6.0	5.68	5.80		5.63				
		6.0	5.68	5.80		5.63				
	Vol	2.0		0.00	0.10		0.10	V	Vin=Vih	Iol=20μA
		4.5		0.00	0.10		0.10			Iol=2mA
		6.0		0.00	0.10		0.10			Iol=2.6mA
		4.5		0.17	0.26		0.33			
		6.0		0.18	0.26		0.33			
		6.0		0.18	0.26		0.33			
Input current	Iin	6.0	-0.1		0.1	-1.0	1.0	μA	Vin=Vdd or GND	
Static current	Idd	6.0			1.0		10.0	μA	Vin=Vdd or GND	

■ Test circuit



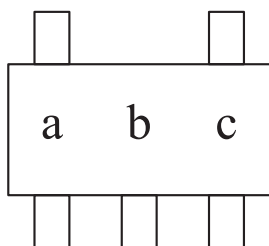
■ Measured wave pattern



* Output should be opened when measuring current consumption.

■ Marking

SOT-25



Sym.	Mark	Content
a	E	ELM7S series
b	A	ELM7S14B
c	A to Z (except I, O, X)	Lot No.