

# Digital DC/DC PMBus 17A Module

## ZL9117M

The ZL9117M is a 17A, variable output, step-down PMBus-compliant digital power supply. Included in the module is a high-performance digital PWM controller, power MOSFETs, an inductor, and all the passive components required for a highly integrated DC/DC power solution. This power module has built-in auto-compensation algorithms, which eliminates the need for manual compensation design work. The ZL9117M operates over a wide input voltage range and supports an output voltage range of 0.6V to 3.6V, which can be set by external resistors or via PMBus. This high-efficiency power module is capable of delivering 17A. Only bulk input and output capacitors are needed to finish the design. The output voltage can be precisely regulated to as low as 0.6V with  $\pm 1\%$  output voltage regulation over line, load, and temperature variations.

The ZL9117M features auto-compensation, internal soft-start, auto-recovery overcurrent protection, an enable option, and prebiased output start-up capabilities.

The ZL9117M is packaged in a thermally enhanced, compact (15mmx15mm) and low profile (3.5mm) over-molded QFN package module suitable for automated assembly by standard surface mount equipment. The ZL9117M is RoHS compliant.

Figure 1 represents a typical implementation of the ZL9117M. For PMBus operation, it is recommended to tie the Enable pin (EN) to SGND.

## Features

- Complete digital switch mode power supply
- Fast transient response
- Auto compensating PID filter
- External synchronization
- Output voltage tracking
- Current sharing
- Programmable soft-start delay and ramp
- Overcurrent/undercurrent protection
- PMBus compliant

## Applications

- Server, telecom, and datacom
- Industrial and medical equipment
- General purpose point of load

## Related Literature

- AN2034, "Configuring Current Sharing on the ZL2004 and ZL2006"

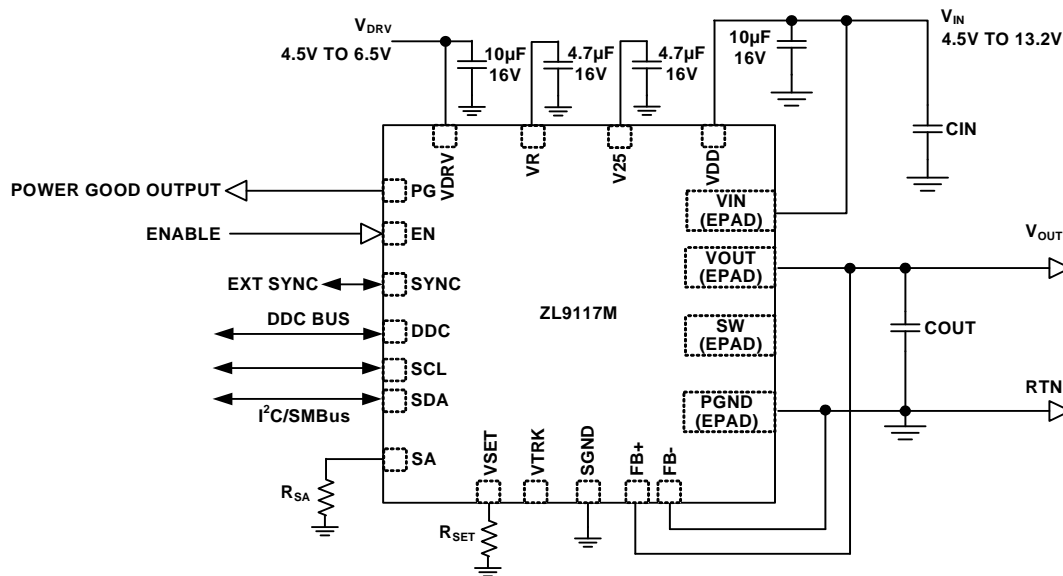


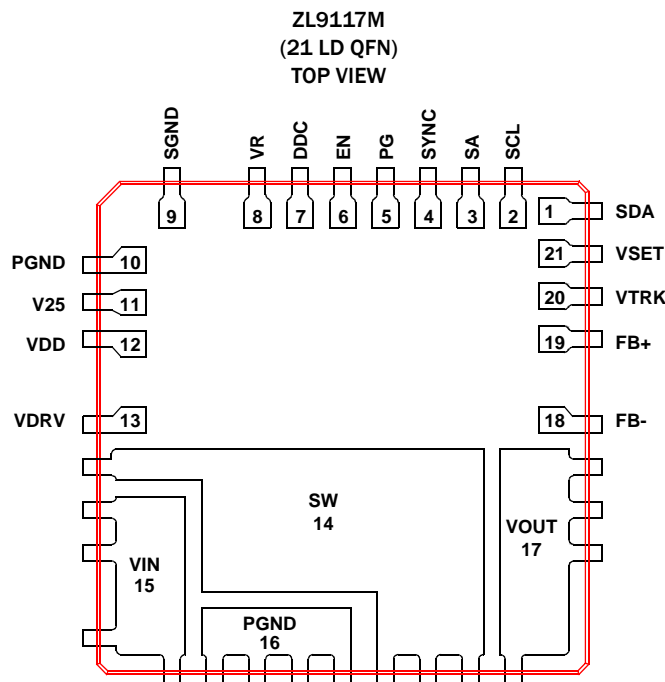
FIGURE 1. A COMPLETE DIGITAL SWITCH MODE POWER SUPPLY, ONLY BULK INPUT AND OUTPUT CAPACITORS ARE REQUIRED TO FINISH THE DESIGN

## Table of Contents

<b>Related Literature</b> .....	<b>1</b>
<b>Pin Configuration</b> .....	<b>3</b>
<b>Pin Descriptions</b> .....	<b>3</b>
<b>ZL9117M Internal Block Diagram</b> .....	<b>5</b>
<b>Typical Application - Single Module</b> .....	<b>6</b>
<b>Absolute Maximum Ratings</b> .....	<b>7</b>
<b>Thermal Information</b> .....	<b>7</b>
<b>Recommended Operating Conditions</b> .....	<b>7</b>
<b>Electrical Specifications</b> .....	<b>7</b>
<b>Typical Performance Curves</b> .....	<b>9</b>
<b>Derating Curves</b> .....	<b>10</b>
<b>Functional Description</b> .....	<b>11</b>
I2C/SMBus Communications .....	11
Output Voltage Selection .....	11
Soft-start Delay and Ramp Times .....	11
Power-Good .....	11
Switching Frequency and PLL .....	12
Loop Compensation .....	12
Adaptive Diode Emulation .....	12
Input Undervoltage Lockout .....	12
Output Overvoltage Protection .....	12
Output Prebias Protection .....	13
Output Overcurrent Protection .....	13
Thermal Overload Protection .....	14
I2C/SMBus Module Address Selection .....	14
Digital-DC Bus .....	14
Phase Spreading .....	15
Output Voltage Tracking .....	15
Output Sequencing .....	15
Fault Spreading .....	16
Active Current Sharing .....	16
Phase Adding/Dropping .....	16
Monitoring via I2C/SMBus .....	17
Snapshot Parameter Capture .....	17
Non-Volatile Memory and Device Security Features .....	17
<b>Layout Guide</b> .....	<b>18</b>
Thermal Consideration .....	18
Package Description .....	19
PCB Layout Pattern Design .....	19
Thermal Vias .....	19
Stencil Pattern Design .....	19
<b>PMBus Command Summary</b> .....	<b>20</b>
PMBus™ Data Formats .....	24
<b>Firmware Revision History</b> .....	<b>55</b>
<b>Revision History</b> .....	<b>56</b>
<b>About Intersil</b> .....	<b>56</b>
<b>Package Outline Drawing</b> .....	<b>57</b>

# ZL9117M

## Pin Configuration



## Pin Descriptions

PIN	LABEL	TYPE	DESCRIPTION
1	SDA	I/O	Serial data. A pull-up resistor is required for this application.
2	SCL	I/O	Serial clock. A pull-up resistor is required for this application.
3	SA	I	Serial address select pin. Used to assign unique SMBus address to each module.
4	SYNC	I/O	Clock synchronization. Used for synchronization to external frequency reference.
5	PG	O	Power-good output.
6	EN	I	Enable input (factory setting active high). Pull-up to enable PWM switching and pull-down to disable PWM switching.
7	DDC	I/O	Digital-DC bus (open drain). Interoperability between Intersil digital modules. A pull-up resistor is required for this application.
8	VR	PWR	Internal 5V reference used to power internal drivers. Connect 4.7 $\mu$ F bypass capacitor to this pin.
9	SGND	PWR	Signal ground. Connect to low impedance ground plane.
10	PGND	PWR	Power ground. Connect to low impedance ground plane.
11	V25	PWR	Internal 2.5V reference used to power internal circuitry. Connect 4.7 $\mu$ F bypass capacitor to this pin.
12	VDD	PWR	Input supply voltage for controller. Connect 4.7 $\mu$ F bypass capacitor to this pin.
13	VDRV	PWR	Power supply for internal FET drivers. Connect 10 $\mu$ F bypass capacitor to this pin.
14 (epad)	SW	PWR	Drive train switch node.
15 (epad)	VIN	PWR	Power supply input FET voltage.
16 (epad)	PGND	PWR	Power ground. Connect to low impedance ground plane.
17 (epad)	VOUT	PWR	Power supply output voltage. Output voltage from PWM.
18	FB-	I	Output voltage feedback. Connect to load return of ground regulation point.
19	FB+	I	Output voltage feedback. Connect to output regulation point.
20	VTRK	I	Tracking sense input. Used to track an external voltage source.
21	VSET	I	Output voltage selection pin. Used to set $V_{OUT}$ set point and $V_{OUT}$ max.

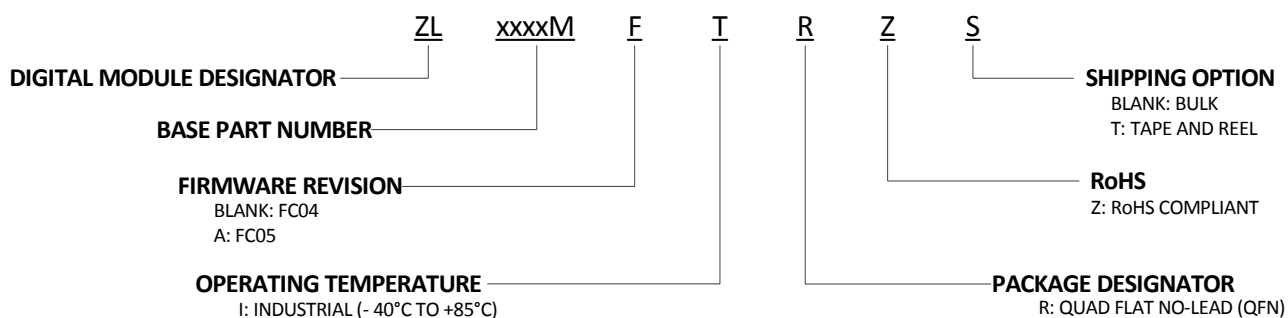
# ZL9117M

## Ordering Information

PART NUMBER (Notes 1, 2, 3)	PART MARKING	FIRMWARE REVISION (Note 4)	TEMP RANGE (°C)	PACKAGE (RoHS Compliant)	PKG. DWG. #
ZL9117MIRZ	ZL9117M	FC04	-40 to +85	21 Ld 15x15 QFN	L21.15x15
ZL9117MAIRZ	ZL9117M	FC05	-40 to +85	21 Ld 15x15 QFN	L21.15x15

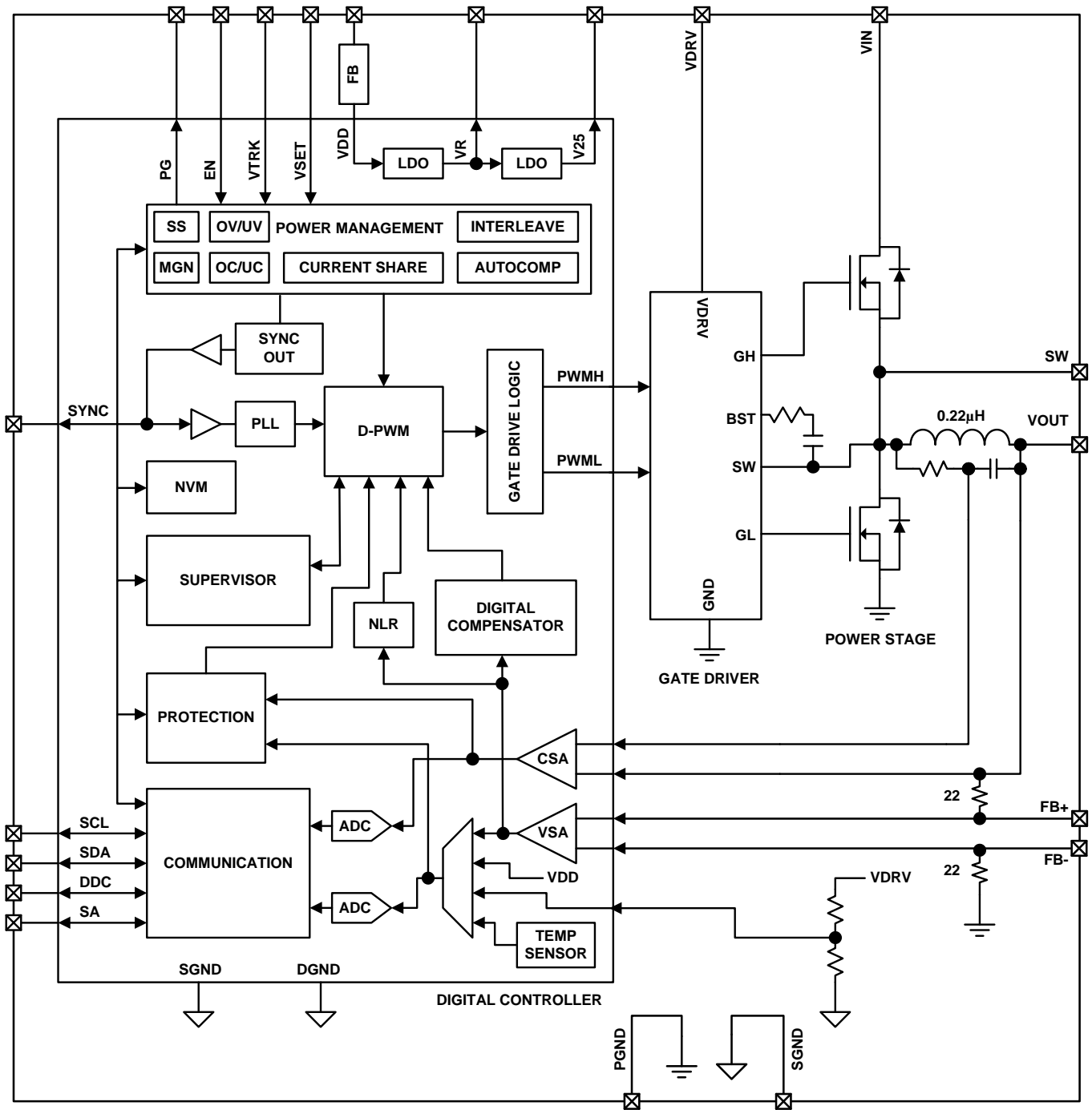
### NOTES:

1. Add "-T\*" suffix for tape and reel. Please refer to [TB347](#) for details on reel specifications.
2. These Intersil plastic packaged products are RoHS compliant by EU exemption 7C-I and employ special Pb-free material sets, molding compounds/die attach materials, and 100% matte tin plate plus anneal (e3) termination finish which is compatible with both SnPb and Pb-free soldering operations. Intersil RoHS compliant products are MSL classified at Pb-free peak reflow temperatures that meet or exceed the Pb-free requirements of IPC/JEDEC J STD-020.
3. For Moisture Sensitivity Level (MSL), please see product information page for [ZL9117M](#). For more information on MSL please see Tech Brief [TB363](#).
4. See "[Firmware Revision History](#)" on page 55; only the latest firmware revision is recommended for new designs.

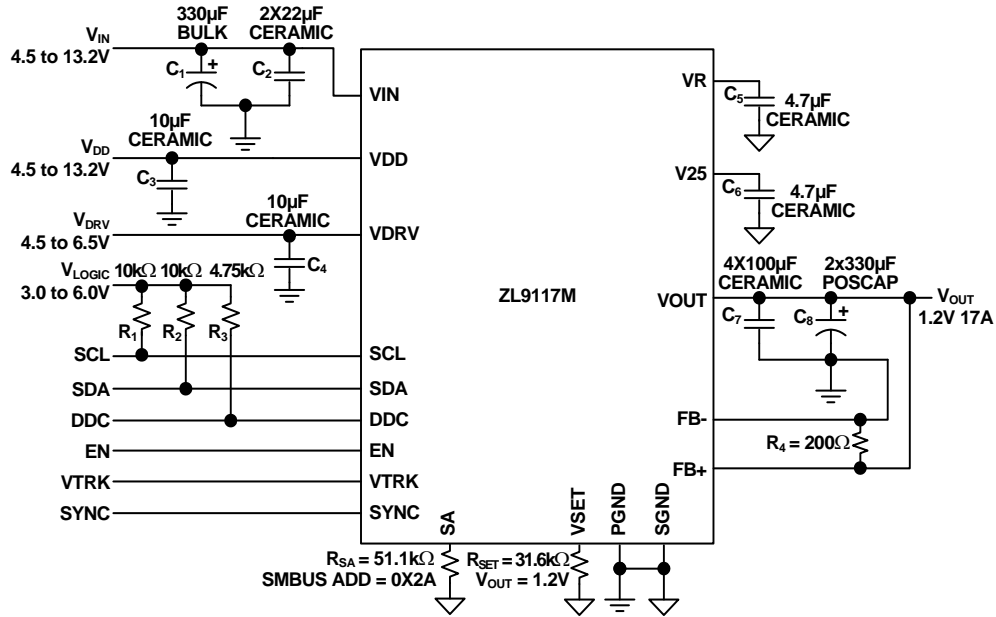


# ZL9117M

## ZL9117M Internal Block Diagram



## Typical Application - Single Module



### NOTES:

5.  $R_1$  and  $R_2$  are not required if the PMBus host already has I<sup>2</sup>C pull-up resistors.
6. Only one  $R_3$  per DDC bus is required when DDC bus is shared with other modules.
7. The VR, V25, VDRV, and VDD capacitors should be placed no farther than 0.5cm from the pin.
8.  $R_4$  is optional but recommended to sink possible  $\sim 100\mu\text{A}$  backflow current from the FB+ pin. Backflow current is present only when the module is in a disabled state with power still available at the VDD pin.

# ZL9117M

## Absolute Maximum Ratings (Note 9)

DC Supply Voltage for VDD Pin	-0.3V to 15.7V
Input Voltage for VIN Pin	-0.3V to 15.7V
MOSFET Drive Reference for VR Pin	-0.3V to 6.5V
2.5V Logic Reference for V25 Pin	-0.3V to 3V
MOSFET Driver Power for VDRV Pin	-0.3V to 7.5V
Logic I/O Voltage for DDC, EN, FB+, FB-, PG, SA, SCL, SDA, SYNC, VSET Pins	-0.3V to 6V
ESD Rating	
Human Body Model (Tested per JESD22-A114F)	2000V
Machine Model (Tested per JESD22-A115C)	200V
Charged Device Model (Tested per JESD22-C110D)	1000V
Latch Up (Tested per JESD78C; Class 2, Level A)	100mA

## Thermal Information

Thermal Resistance (Typical)	$\theta_{JA}$ (°C/W)	$\theta_{JC}$ (°C/W)
QFN Package <small>(Notes 12, 13)</small>	11.5	2.2
Junction Temperature	-55°C to +150°C	
Storage Temperature	-55°C to +150°C	
Pb-Free Reflow Profile	see <a href="#">TB493</a>	

## Recommended Operating Conditions

Input Supply Voltage Range, $V_{IN}$	4.5V to 13.2V
Input Supply For Controller, $V_{DD}$ <small>(Note 10)</small>	4.5V to 13.2V
Driver Supply Voltage, $V_{DRV}$	4.5V to 6.5V
Output Voltage Range, $V_{OUT}$ <small>(Note 11)</small>	0.54V to 3.6V
Output Current Range, $I_{OUT(DC)}$ <small>(Note 24)</small>	0A to 17A
Operating Junction Temperature Range, $T_J$	-40°C to +125°C

**CAUTION:** Do not operate at or near the maximum ratings listed for extended periods of time. Exposure to such conditions may adversely impact product reliability and result in failures not covered by warranty.

### NOTES:

9. Voltage measured with respect to SGND.
10.  $V_{IN}$  supplies the power FETs.  $V_{DD}$  supplies the controller.  $V_{IN}$  can be tied to  $V_{DD}$ . For  $V_{DD} \leq 5.5V$ ,  $V_{DD}$  should be tied to VR.
11. Includes  $\pm 10\%$  margin limits.
12.  $\theta_{JA}$  is simulated in free air with device mounted on a four-layer FR-4 test board (76.2 x 114.3 x 1.6mm) with 80% coverage, 2oz Cu on top and bottom layers, plus two, buried, one-ounce Cu layers with coverage across the entire test board area. Multiple vias were used, with via diameter = 0.3mm on 1.2mm pitch.
13. For  $\theta_{JC}$ , the "case" temperature is measured at the center of the package underside.

**Electrical Specifications**  $V_{DD} = 12V$ ,  $T_A = -40^\circ C$  to  $+85^\circ C$  unless otherwise noted. Typical values are at  $T_A = +25^\circ C$ . **Boldface limits apply across the operating temperature range,  $-40^\circ C$  to  $+85^\circ C$ .**

PARAMETER	CONDITIONS	MIN <small>(Note 14)</small>	TYP <small>(Note 15)</small>	MAX <small>(Note 14)</small>	UNIT
<b>INPUT AND SUPPLY CHARACTERISTICS</b>					
Input Bias Supply Current, $I_{DD}$	$V_{IN} = V_{DD} = 13.2V$ , $f_{SW} = 571kHz$ , No load	-	20	<b>40</b>	mA
Input Bias Shutdown Current, $I_{DPS}$	EN = 0V, No I <sup>2</sup> C/SMBus activity	-	15.5	<b>20</b>	mA
Input Supply Current, $I_{VIN}$	$V_{IN} = 12V$ , $I_{OUT} = 17A$ , $V_{OUT} = 1.0V$	-	1.78	-	A
Driver Supply Current, $I_{DRV}$	$V_{DRV} = 6V$ , $V_{OUT} = 1.0V$ , $f_{SW} = 571Hz$ , $I_{OUT} = 17A$	-	30	-	mA
VR Reference Output Voltage <small>(Note 16)</small>	$V_{DD} > 6V$ , $I_{VR} < 20mA$	<b>4.5</b>	5.2	<b>5.7</b>	V
V25 Reference Output Voltage <small>(Note 16)</small>	$V_R > 3V$ , $I_{V25} < 20mA$	<b>2.25</b>	2.5	<b>2.75</b>	V
<b>OUTPUT CHARACTERISTICS</b>					
Output Load Current <small>(Notes 23, 24)</small>	$V_{IN} = 12V$ , $V_{OUT} = 1.0V$	-	-	17	A
Output Voltage Accuracy <small>(Notes 16, 17)</small>	Include Line, Load, Temp	<b>-1</b>		<b>+1</b>	%
Peak-to-peak Output Ripple Voltage, $\Delta V_{OUT}$ <small>(Note 17)</small>	$I_{OUT} = 17A$ , $V_{OUT} = 1.0V$ , $C_{OUT} = 3000\mu F$	-	6	-	mV
Soft-start Delay Duration Range <small>(Notes 16, 18)</small>	Set using I <sup>2</sup> C/SMBus	<b>2</b>	-	<b>200</b>	ms
Soft-start Delay Duration Accuracy <small>(Note 16)</small>	Turn-on delay (precise mode) <small>(Notes 18, 19)</small>	-	$\pm 0.25$	-	ms
	Turn-on delay (normal mode) <small>(Note 20)</small>	-	-0.25/+4	-	ms
	Turn-off delay <small>(Note 20)</small>	-	-0.25/+4	-	ms
Soft-start Ramp Duration Range <small>(Note 16)</small>	Set using I <sup>2</sup> C	<b>0</b>	-	<b>200</b>	ms
Soft-start Ramp Duration Accuracy <small>(Note 16)</small>		-	100	-	$\mu s$
<b>DYNAMIC CHARACTERISTICS</b>					
Voltage Change for Positive Load Step	$\Delta I_{OUT} = 6A$ , slew rate = 2.5A/ $\mu s$ , $V_{OUT} = 1.0V$ , $C_{OUT} = 3000\mu F$	-	3	-	%
Voltage Change for Negative Load Step	$\Delta I_{OUT} = 6A$ , slew rate = 2.5A/ $\mu s$ , $V_{OUT} = 1.0V$ , $C_{OUT} = 3000\mu F$	-	3	-	%

# ZL9117M

**Electrical Specifications**  $V_{DD} = 12V$ ,  $T_A = -40^{\circ}C$  to  $+85^{\circ}C$  unless otherwise noted. Typical values are at  $T_A = +25^{\circ}C$ . **Boldface limits apply across the operating temperature range,  $-40^{\circ}C$  to  $+85^{\circ}C$ .** (Continued)

PARAMETER	CONDITIONS	MIN (Note 14)	TYP (Note 15)	MAX (Note 14)	UNIT
<b>OSCILLATOR AND SWITCHING CHARACTERISTICS (Note 16)</b>					
Switching Frequency Range		<b>400</b>	571	<b>1000</b>	kHz
Maximum PWM Duty Cycle	Factory setting	<b>95</b>	-	-	%
Minimum SYNC Pulse Width		<b>150</b>	-	-	ns
Input Clock Frequency Drift Tolerance	External clock source	<b>-13</b>	-	<b>13</b>	%
<b>LOGIC INPUT/OUTPUT CHARACTERISTICS (Note 16)</b>					
Logic Input Bias Current	EN, PG, SCL, SDA pins	<b>-10</b>	-	<b>10</b>	$\mu A$
Logic Input Low, $V_{IL}$		-	-	<b>0.8</b>	V
Logic Input High, $V_{IH}$		<b>2.0</b>	-	-	V
Logic Output Low, $V_{OL}$	$I_{OL} \leq 4mA$ (Note 22)	-	-	<b>0.4</b>	V
Logic Output High, $V_{OH}$	$I_{OH} \geq -2mA$ (Note 22)	<b>2.25</b>	-	-	V
<b>FAULT PROTECTION CHARACTERISTICS (Note 16)</b>					
UVLO Threshold Range	Configurable via I <sup>2</sup> C/SMBus	<b>2.85</b>	-	<b>16</b>	V
UVLO Set-point Accuracy		<b>-150</b>	-	<b>150</b>	mV
UVLO Hysteresis	Factory setting	-	3	-	%
	Configurable via I <sup>2</sup> C/SMBus	<b>0</b>	-	<b>100</b>	%
UVLO Delay		-	-	<b>2.5</b>	$\mu s$
Power-Good $V_{OUT}$ Threshold	Factory setting	-	90	-	% $V_{OUT}$
Power-Good $V_{OUT}$ Hysteresis	Factory setting	-	5	-	%
Power-Good Delay (Note 21)	Configurable via I <sup>2</sup> C/SMBus	<b>0</b>	-	<b>200</b>	ms
VSEN Undervoltage Threshold	Factory setting	-	85	-	% $V_{OUT}$
	Configurable via I <sup>2</sup> C/SMBus	<b>0</b>	-	<b>110</b>	% $V_{OUT}$
VSEN Overvoltage Threshold	Factory setting	-	115	-	% $V_{OUT}$
	Configurable via I <sup>2</sup> C/SMBus	<b>0</b>	-	<b>115</b>	% $V_{OUT}$
VSEN Undervoltage Hysteresis		-	5	-	% $V_{OUT}$
VSEN Undervoltage/Overvoltage Fault Response Time	Factory setting	-	16	-	$\mu s$
	Configurable via I <sup>2</sup> C/SMBus	<b>5</b>	-	<b>60</b>	$\mu s$
Thermal Protection Threshold (Controller Junction Temperature)	Factory setting	-	125	-	$^{\circ}C$
	Configurable via I <sup>2</sup> C/SMBus	<b>-40</b>	-	<b>125</b>	$^{\circ}C$
Thermal Protection Hysteresis		-	15	-	$^{\circ}C$

**NOTES:**

14. Compliance to datasheet limits is assured by one or more methods: production test, characterization and/or design.
15. Parameters with TYP limits are not production tested unless otherwise specified.
16. Parameters are 100% tested for internal controller prior to module assembly.
17.  $V_{OUT}$  measured at the termination of the FB+ and FB- sense points.
18. The device requires a delay period following an enable signal and prior to ramping its output. Precise timing mode limits this delay period to approximately 2ms, where in normal mode it may vary up to 4ms.
19. Precise ramp timing mode is only valid when using the EN pin to enable the device rather than PMBus enable.
20. The devices may require up to a 4ms delay following the assertion of the enable signal (normal mode) or following the de-assertion of the enable signal.
21. Factory setting for Power-Good delay is set to the same value as the soft-start ramp time.
22. Nominal capacitance of logic pins is 5pF.
23. This condition is tested on the Intersil 3-module evaluation board at  $+50^{\circ}C$  ambient temperature and 400LFM air flow.
24. The load current is related to the thermal derating curves. The maximum allowed current is derated while the output voltage goes higher than 2.5V.



## Typical Performance Curves

Operating condition:  $T_A = +25^\circ\text{C}$ , No air flow,  $F_{\text{SW}} = 571\text{kHz}$ ,  $V_{\text{DRV}} = 5\text{V}$ ,  $C_{\text{OUT}} = 3000\mu\text{F}$ .

Typical values are used unless otherwise noted.

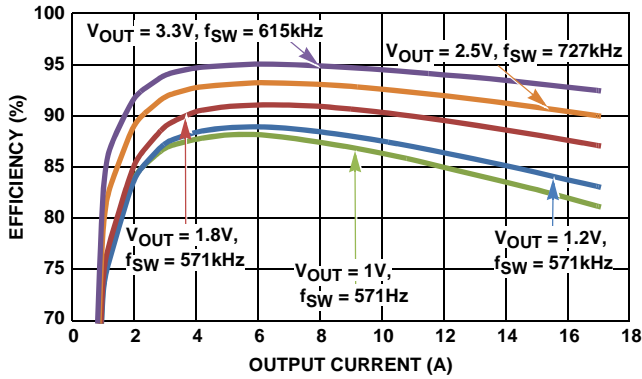


FIGURE 2. EFFICIENCY,  $V_{\text{IN}} = 5\text{V}$ , FOR VARIOUS OUTPUT VOLTAGES

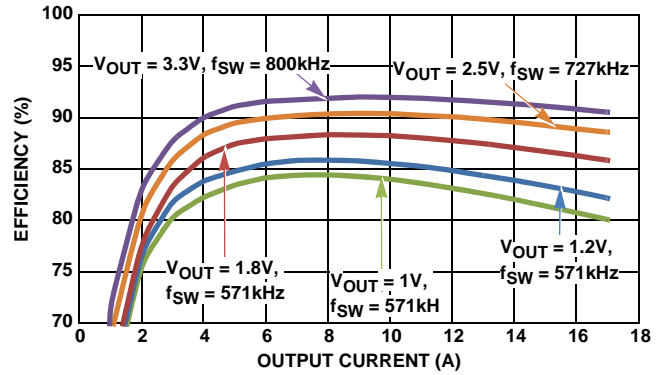


FIGURE 3. EFFICIENCY,  $V_{\text{IN}} = 9\text{V}$ , FOR VARIOUS OUTPUT VOLTAGES

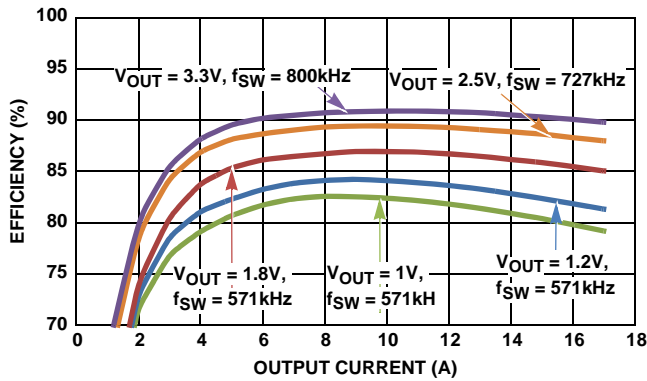


FIGURE 4. EFFICIENCY,  $V_{\text{IN}} = 12\text{V}$ , FOR VARIOUS OUTPUT VOLTAGES

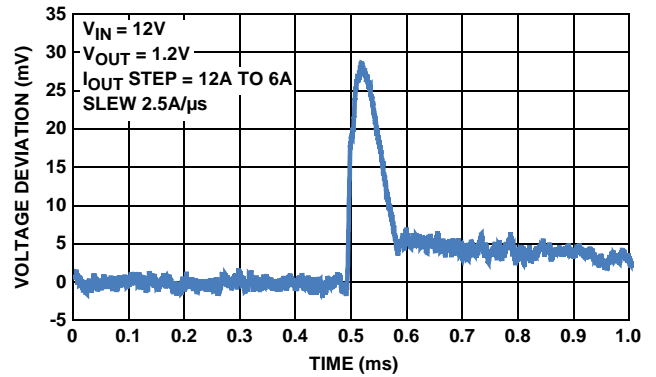


FIGURE 5. DYNAMIC RESPONSE, UNLOAD

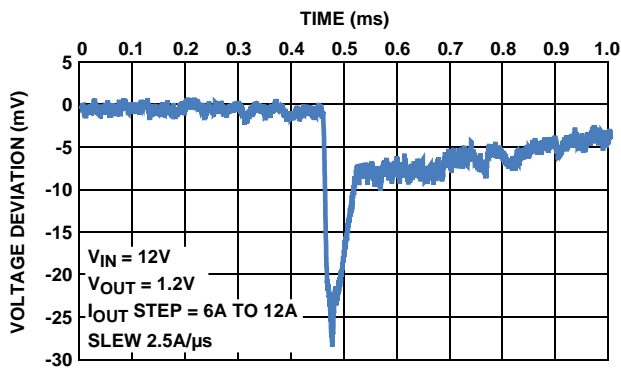


FIGURE 6. DYNAMIC RESPONSE, LOAD

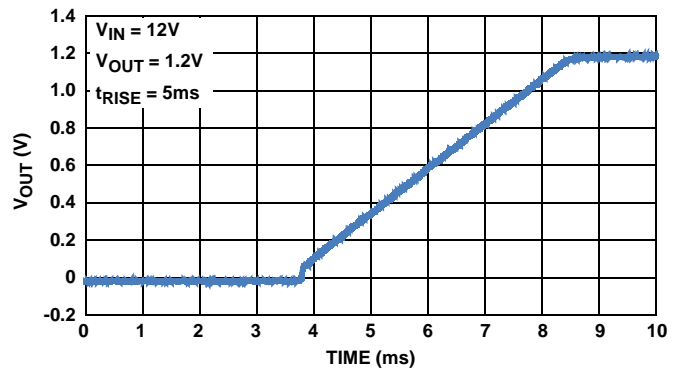


FIGURE 7. SOFT-START RAMP-UP

# ZL9117M

## Typical Performance Curves

Operating condition:  $T_A = +25^\circ\text{C}$ , No air flow,  $F_{\text{SW}} = 571\text{kHz}$ ,  $V_{\text{DRV}} = 5\text{V}$ ,  $C_{\text{OUT}} = 3000\mu\text{F}$ .  
 Typical values are used unless otherwise noted. (Continued)

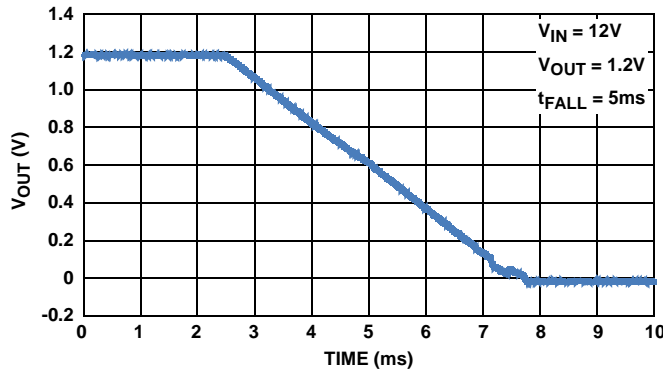


FIGURE 8. RAMP-DOWN

## Derating Curves

Operating conditions:  $T_A = +25^\circ\text{C}$ ,  $F_{\text{SW}} = 571\text{kHz}$ ,  $V_{\text{DRV}} = 5\text{V}$ ,  $C_{\text{OUT}} = 3000\mu\text{F}$ . Typical values are used unless otherwise noted.

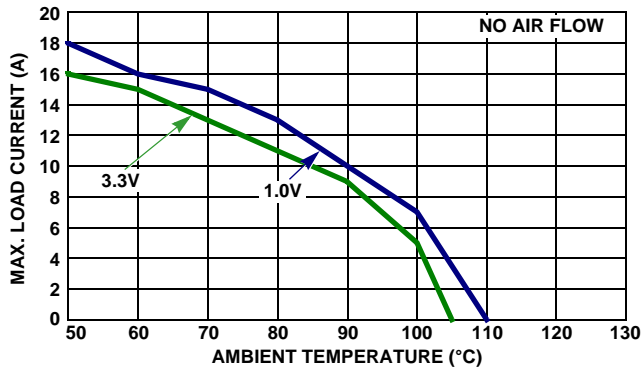


FIGURE 9. DERATING CURVE,  $5V_{\text{IN}}$ , FOR VARIOUS OUTPUT VOLTAGES LISTED

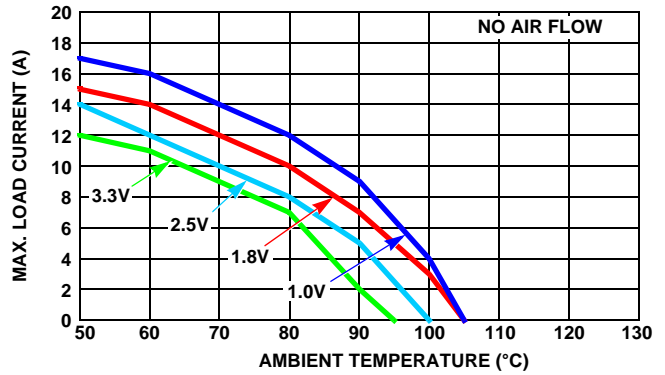


FIGURE 10. DERATING CURVE,  $12V_{\text{IN}}$ , FOR VARIOUS OUTPUT VOLTAGES LISTED

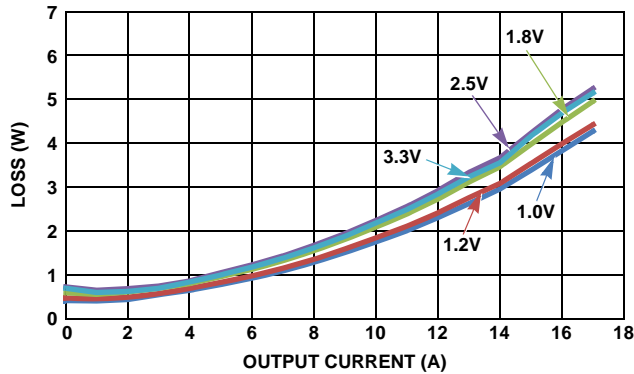


FIGURE 11. POWER LOSS CURVE,  $5V_{\text{IN}}$ , FOR VARIOUS OUTPUT VOLTAGES LISTED

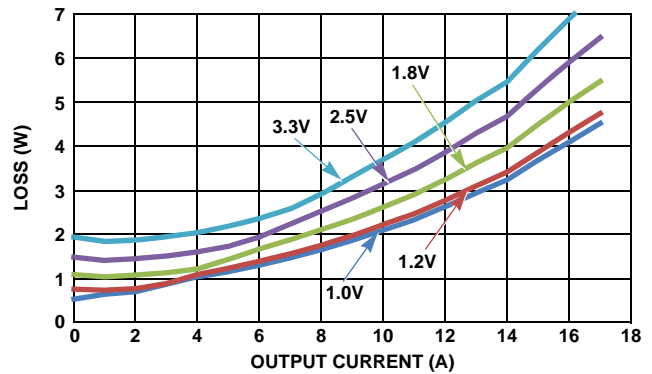


FIGURE 12. POWER LOSS CURVE,  $12V_{\text{IN}}$ , FOR VARIOUS OUTPUT VOLTAGES LISTED

## Functional Description

### I<sup>2</sup>C/SMBus Communications

The ZL9117M provides an I<sup>2</sup>C/SMBus digital interface that enables the user to configure all aspects of the module operation as well as monitor the input and output parameters. The ZL9117M can be used with any I<sup>2</sup>C host device. In addition, the module is compatible with SMBus version 2.0. Pull-up resistors are required on the I<sup>2</sup>C/SMBus as specified in the SMBus 2.0 specification. The ZL9117M accepts most standard PMBus commands. When controlling the device with PMBus commands, it is recommended that the enable pin is tied to SGND.

The SMBus device address and VOUT\_MAX are the only parameters that must be set by external pins. All other device parameters can be set via the I<sup>2</sup>C/SMBus. The device address is set using the SA pin. VOUT\_MAX is determined as 10% greater than the voltage set by the VSET pin. Standard 1% resistor values are used between the respective pin and SGND.

### Output Voltage Selection

The output voltage may be set to a voltage between 0.6V and 3.6V provided that the input voltage is higher than the desired output voltage by an amount sufficient to prevent the device from exceeding its maximum duty cycle specification.

The VSET pin is used to set the output voltage to levels as shown in Table 1. The R<sub>SET</sub> resistor is placed between the VSET pin and SGND.

TABLE 1. OUTPUT VOLTAGE RESISTOR SETTINGS

V <sub>OUT</sub> (V)	R <sub>SET</sub> (kΩ)
0.60	10
0.65	11
0.70	12.1
0.75	13.3
0.80	14.7
0.85	16.2
0.90	17.8
0.95	19.6
1.00	21.5
1.05	23.7
1.10	26.1
1.15	28.7
1.20	31.6
1.25	34.8
1.30	38.3
1.40	42.2
1.50	46.4
1.60	51.1
1.70	56.2

TABLE 1. OUTPUT VOLTAGE RESISTOR SETTINGS (Continued)

V <sub>OUT</sub> (V)	R <sub>SET</sub> (kΩ)
1.80	61.9
1.90	68.1
2.00	75
2.10	82.5
2.20	90.9
2.30	100
2.50	110
2.80	121
3.00	133
3.30	147

The output voltage may also be set to any value between 0.6V and 3.6V using a PMBus command over the I<sup>2</sup>C/SMBus interface.

The RSET resistor program places an upper limit in output voltage setting through PMBUS programming to 10% above the value set by the resistor.

### Soft-start Delay and Ramp Times

It may be necessary to set a delay from when an enable signal is received until the output voltage starts to ramp to its target value. In addition, the designer may wish to precisely set the time required for V<sub>OUT</sub> to ramp to its target value after the delay period has expired. These features may be used as part of an overall in-rush current management strategy or to precisely control how fast a load IC is turned on. The ZL9117M gives the system designer several options for precisely and independently controlling both the delay and ramp time periods.

The soft-start delay period begins when the EN pin is asserted and ends when the delay time expires.

The soft-start delay and ramp times are set to custom values via the I<sup>2</sup>C/SMBus interface. When the delay time is set to 0ms, the device begins its ramp-up after the internal circuitry has initialized (approximately 2ms). When the soft-start ramp period is set to 0ms, the output ramps up as quickly as the output load capacitance and loop settings allow. It is generally recommended to set the soft-start ramp to a value greater than 500μs to prevent inadvertent fault conditions due to excessive in-rush current.

### Power-Good

The ZL9117M provides a Power-Good (PG) signal that indicates the output voltage is within a specified tolerance of its target level and no fault condition exists. By default, the PG pin asserts if the output is within 10% of the target voltage. These limits and the polarity of the pin may be changed via the I<sup>2</sup>C/SMBus interface.

A PG delay period is defined as the time from when all conditions within the ZL9117M for asserting PG are met to when the PG pin is actually asserted. This feature is commonly used instead of

using an external reset controller to control external digital logic. By default, the ZL9117M PG delay is set equal to the soft-start ramp time setting. Therefore, if the soft-start ramp time is set to 10ms, the PG delay is set to 10ms. The PG delay may be set independently of the soft-start ramp using the I<sup>2</sup>C/SMBus.

## Switching Frequency and PLL

The ZL9117M incorporates an internal phase-locked loop (PLL) to clock the internal circuitry. The PLL can be driven by an external clock source connected to the SYNC pin. When using the internal oscillator, the SYNC pin can be configured as a clock source.

If a clock signal is present, the ZL9117M's oscillator will then synchronize the rising edge of the external clock. If no incoming clock signal is present, the ZL9117M will configure the switching frequency according to the state of the SYNC pin as listed in [Table 2](#). The internal switching frequency of the ZL9117M is 571kHz. ZL9117M will only read the SYNC pin connection during the start-up sequence. Changes to the SYNC pin connections will not affect  $f_{SW}$  until the power (VDD) is cycled off and on.

TABLE 2. SWITCHING FREQUENCY SELECTION

SYNC PIN	FREQUENCY
LOW	400kHz
OPEN	571kHz
HIGH	1MHz
Resistor	See <a href="#">Table 3</a>

If the user desires to configure other frequencies not listed in [Tables 2](#) or [3](#), the switching frequency can also be set to any value between 400kHz and 1MHz using the I<sup>2</sup>C/SMBus interface.

TABLE 3. R<sub>SYNC</sub> RESISTOR VALUES

R <sub>SYNC</sub> (kΩ)	FREQUENCY (kHz)
19.6, or connect to SGND	400
21.5	421
23.7	471
26.1	533
28.7, or Open	571
31.6	615
34.8	727
37.3	800
46.4	889
51.1, or connect to V25 or VR	1000

If a value other than  $f_{SW} = 8\text{MHz}/N$  is entered using a PMBus command, the internal circuitry will select the switching frequency value using N as a whole number to achieve a value close to the entered value. For example, if 810kHz is entered, the device will select 800kHz (N = 10).

When multiple Intersil digital devices are used together, connecting the SYNC pins together will force all devices to

synchronize with each other. One of the devices must be configured as a Sync source and the remaining devices must be configured as a Sync input. The I<sup>2</sup>C/SMBus must be used to configure the Sync pin.

NOTE: The switching frequency read back using the appropriate PMBus command will differ slightly from the selected values in [Tables 2](#) and [3](#). The difference is due to hardware quantization.

## Loop Compensation

The ZL9117M operates as a voltage-mode synchronous buck controller with a fixed frequency PWM scheme. The module is internally compensated via the I<sup>2</sup>C/SMBus interface.

The ZL9117M has an auto compensation feature that measures the characteristics of the power train and calculates the proper tap coefficients. By default, auto compensation is configured to execute one time after ramp with 50% auto compensation Gain with Power-Good asserted immediately after the first auto compensation cycle completes.

## Adaptive Diode Emulation

Adaptive diode emulation mode turns off the low-side FET gate drive at low load currents to prevent the inductor current from going negative, reducing the energy losses and increasing overall efficiency. Diode emulation is available to single-phase devices only.

Note: the overall bandwidth of the device may be reduced when in diode emulation mode. Disabling the diode emulation prior to applying significant load steps is recommended.

## Input Undervoltage Lockout

The input undervoltage lockout (UVLO) prevents the ZL9117M from operating when the input falls below a preset threshold, indicating the input supply is out of its specified range. The UVLO threshold ( $V_{UVLO}$ ) can be set between 2.85V and 16V using the I<sup>2</sup>C/SMBus interface.

Once an input undervoltage fault condition occurs, the device can respond in a number of ways, as follows:

1. Continue operating without interruption.
2. Continue operating for a given delay period, followed by shutdown if the fault still exists. The device remains in shutdown until instructed to restart.
3. Initiate an immediate shutdown until the fault is cleared. The user can select a specific number of retry attempts.

The default response from a UVLO fault is an immediate shutdown of the module. The controller continuously checks for the presence of the fault condition. If the fault condition is no longer present, the ZL9117M is re-enabled.

## Output Overvoltage Protection

The ZL9117M offers an internal output overvoltage protection circuit that can be used to protect sensitive load circuitry from being subjected to a voltage higher than its prescribed limits. A hardware comparator is used to compare the actual output voltage (seen at the FB+ pin) to a threshold set to 15% higher than the target output voltage (the default setting). If the FB+

voltage exceeds this threshold, the PG pin de-asserts, and the controller can then respond in a number of ways, as follows:

1. Initiate an immediate shutdown until the fault is cleared. The user can select a specific number of retry attempts.
2. Turn off the high-side MOSFET and turn on the low-side MOSFET. The low-side MOSFET remains ON until the device attempts a restart.

The default response from an overvoltage fault is to immediately shut down. The controller continuously checks for the presence of the fault condition, and when the fault condition no longer exists, the device is re-enabled.

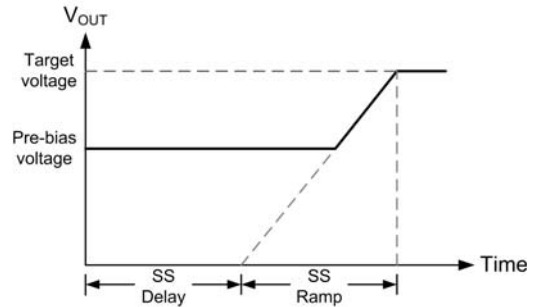
For continuous overvoltage protection when operating from an external clock, the only allowed response is an immediate shutdown.

## Output Prebias Protection

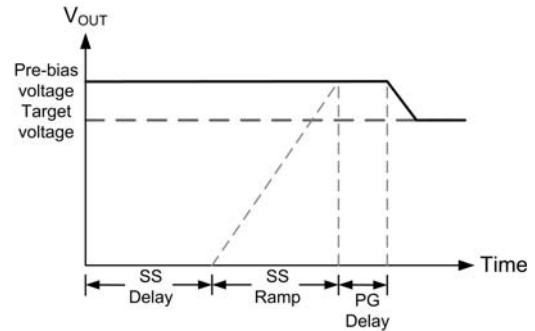
An output prebias condition exists when an externally applied voltage is present on a power supply's output before the power supply's control IC is enabled. Certain applications require that the converter not be allowed to sink current during start-up if a prebias condition exists at the output. The ZL9117M provides prebias protection by sampling the output voltage prior to initiating an output ramp.

If a prebias voltage lower than the target voltage exists after the pre-configured delay period has expired, the target voltage is set to match the existing prebias voltage, and both drivers are enabled. The output voltage is then ramped to the final regulation value at the preconfigured ramp rate.

The actual time the output takes to ramp from the prebias voltage to the target voltage varies, depending on the prebias voltage, however, the total time elapsed from when the delay period expires and when the output reaches its target value will match the pre-configured ramp time (see [Figure 13](#)).



$$V_{\text{PREBIAS}} < V_{\text{TARGET}}$$



$$V_{\text{PREBIAS}} > V_{\text{TARGET}}$$

FIGURE 13. OUTPUT RESPONSES TO PREBIAS VOLTAGES

If a prebias voltage higher than the target voltage exists after the pre-configured delay period has expired, the target voltage is set to match the existing prebias voltage, and both drivers are enabled with a PWM duty cycle that would ideally create the pre-bias voltage.

Once the pre-configured soft-start ramp period has expired, the PG pin is asserted (assuming the prebias voltage is not higher than the overvoltage limit). The PWM then adjusts its duty cycle to match the original target voltage, and the output ramps down to the preconfigured output voltage.

If a prebias voltage higher than the overvoltage limit exists, the device does not initiate a turn-on sequence and declares an overvoltage fault condition to exist. In this case, the device responds based on the output overvoltage fault response method that has been selected. See [“Output Overvoltage Protection” on page 12](#) for response options due to an overvoltage condition.

Note that prebias protection is not offered for current sharing groups that also have tracking enabled.  $V_{\text{DD}}$  must be tied to  $V_{\text{IN}}$  for proper prebias start-up in single module operation.

## Output Overcurrent Protection

The ZL9117M can protect the power supply from damage if the output is shorted to ground or if an overload condition is imposed on the output. The following overcurrent protection response options are available:

1. Initiate a shutdown and attempt to restart an infinite number of times with a preset delay period between attempts.
2. Initiate a shutdown and attempt to restart a preset number of times with a preset delay period between attempts.

3. Continue operating for a given delay period, followed by shutdown if the fault still exists.
4. Continue operating through the fault (this could result in permanent damage to the power supply).
5. Initiate an immediate shutdown.

The default response from an overcurrent fault is an immediate shutdown of the controller. The controller continuously checks for the presence of the fault condition, and if the fault condition no longer exists, the device is re-enabled.

## Thermal Overload Protection

The ZL9117M includes a thermal sensor that continuously measures the internal temperature of the module and shuts down the controller when the temperature exceeds the preset limit. The default temperature limit is set to +125°C in the factory, but the user may set the limit to a different value if desired. Note that setting a higher thermal limit via the I<sup>2</sup>C/SMBus interface may result in permanent damage to the controller. Once the module has been disabled due to an internal temperature fault, the user may select one of several fault response options as follows:

1. Initiate a shutdown and attempt to restart an infinite number of times with a preset delay period between attempts.
2. Initiate a shutdown and attempt to restart a preset number of times with a preset delay period between attempts.
3. Continue operating for a given delay period, followed by shutdown if the fault still exists.
4. Continue operating through the fault (this could result in permanent damage to the power supply).
5. Initiate an immediate shutdown.

If the user has configured the module to restart, the controller waits the preset delay period (if configured to do so) and then checks the module temperature. If the temperature has dropped below a threshold that is approximately +15°C lower than the selected temperature fault limit, the controller attempts to re-start. If the temperature still exceeds the fault limit, the controller waits the preset delay period and retries again.

The default response from a temperature fault is an immediate shutdown of the module. The controller continuously checks for the fault condition, and once the fault has cleared, the ZL9117M is re-enabled.

## I<sup>2</sup>C/SMBus Module Address Selection

Each module must have its own unique serial address to distinguish between other devices on the bus. The module address is set by connecting a resistor between the SA pin and SGND. Table 4 lists the available module addresses.

TABLE 4. SMBus ADDRESS RESISTOR SELECTION

R <sub>SA</sub> (kΩ)	SMBus ADDRESS
10	0x19
11	0x1A
12.1	0x1B
13.3	0x1C

TABLE 4. SMBus ADDRESS RESISTOR SELECTION (Continued)

R <sub>SA</sub> (kΩ)	SMBus ADDRESS
14.7	0x1D
16.2	0x1E
17.8	0x1F
19.6	0x20
21.5	0x21
23.7	0x22
26.1, or connect to SGND	0x23
28.7, or Open	0x24
31.6, or connect to V25 or VR	0x25
34.8	0x26
38.3	0x27
42.2	0x28
46.4	0x29
51.1	0x2A
56.2	0x2B
61.9	0x2C
68.1	0x2D
75	0x2E
82.5	0x2F
90.9	0x30
100	0x31

## Digital-DC Bus

The Digital-DC Communications (DDC) bus is used to communicate between Intersil digital modules and devices. This dedicated bus provides the communication channel between devices for features such as sequencing, fault spreading, and current sharing. The DDC pin on all Digital-DC devices in an application should be connected together. A pull-up resistor is required on the DDC bus in order to guarantee the rise time as shown in [Equation 1](#):

$$\text{Rise Time} = R_{PU} * C_{LOAD} \approx 1\mu\text{s} \quad (\text{EQ. 1})$$

where R<sub>PU</sub> is the DDC bus pull-up resistance and C<sub>LOAD</sub> is the bus loading. The pull-up resistor may be tied to an external 3.3V or 5V supply as long as this voltage is present prior to or during device power-up. As rules of thumb, each device connected to the DDC bus presents approximately 10pF of capacitive loading, and each inch of FR4 PCB trace introduces approximately 2pF. The ideal design uses a central pull-up resistor that is well-matched to the total load capacitance. The minimum pull-up resistance should be limited to a value that enables any device to assert the bus to a voltage that ensures a logic 0 (typically 0.8V at the device monitoring point), given the pull-up voltage and the pull-down current capability of the ZL9117M (nominally 4mA).

## Phase Spreading

When multiple point-of-load converters share a common DC input supply, it is desirable to adjust the clock phase offset of each device such that not all devices start to switch simultaneously. Setting each converter to start its switching cycle at a different point in time, can dramatically reduce input capacitance requirements and efficiency losses. Since the peak current drawn from the input supply is effectively spread out over a period of time, the peak current drawn at any given moment is reduced, and the power losses proportional to the  $I_{RMS}^2$  are reduced dramatically.

To enable phase spreading, all converters must be synchronized to the same switching clock. The phase offset of each device may also be set to any value between  $0^\circ$  and  $360^\circ$  in  $22.5^\circ$  increments via the I<sup>2</sup>C/SMBus interface.

## Output Voltage Tracking

High performance systems place stringent demands on the order in which the power supply voltages turn on. This is particularly true when powering FPGAs, ASICs, and other advanced processor devices that require multiple supply voltages to power a single die. In most cases, the I/O interface operates at a higher voltage than the core and therefore the core supply voltage must not exceed the I/O supply voltage according to the manufacturers' specifications. Voltage tracking protects these sensitive ICs by limiting the differential voltage among multiple power supplies during the power-up and power-down sequence.

The ZL9117M integrates a lossless tracking scheme that allows its output to track a voltage that is applied to the VTRK pin with no additional components required. The VTRK pin is an analog input that, when tracking mode is enabled, and configures the voltage applied to the VTRK pin to act as a reference for the member device's output regulation.

Voltage tracking can be configured by PMBus only. An example is shown in [Figure 14](#).

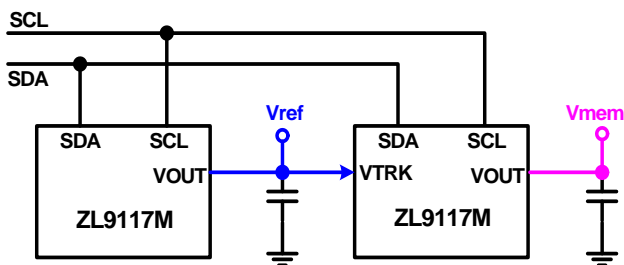


FIGURE 14. PMBUS TRACKING CONFIGURATION

The ZL9117M offers two modes of tracking: coincident and ratiometric. [Figures 15](#) and [16](#) illustrate the output voltage waveform for the two tracking modes.

**Coincident:** This mode configures the ZL9117M to ramp its output voltage at the same rate as the voltage applied to the VTRK pin. Two options are available for this mode:

- a. Track at 100% VOUT limited. Member rail tracks the reference rail and stops when the member reaches its target voltage, [Figure 15\(A\)](#).

- b. Track at 100% VTRK limited. Member rail tracks the reference at the instantaneous voltage value applied to the VTRK pin, [Figure 15\(B\)](#).

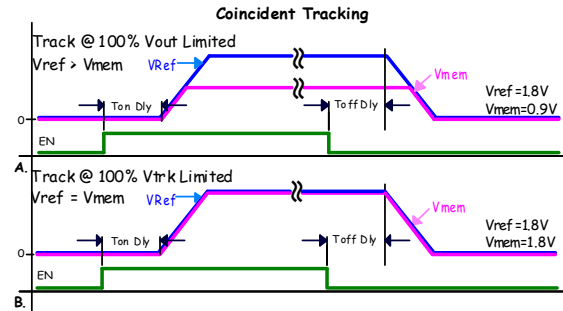


FIGURE 15. COINCIDENT TRACKING

**Ratiometric:** This mode configures the ZL9117M to ramp its output voltage as a percentage of the voltage applied to the VTRK pin. The default setting is 50%, but an external resistor or PMBus command may be used to configure a different tracking ratio.

- a. Track at 50% VOUT limited. Member rail tracks the reference rail and stops when the member reaches 50% of the target voltage, [Figure 16\(A\)](#).
- b. Track at 50% VTRK limited. Member rail tracks the reference at the instantaneous voltage value applied to the VTRK pin until the member rail reaches 50% of the reference rail voltage, or if the member is configured to less than 50% of the reference the member will achieve its configured target, [Figure 16\(B\)](#).

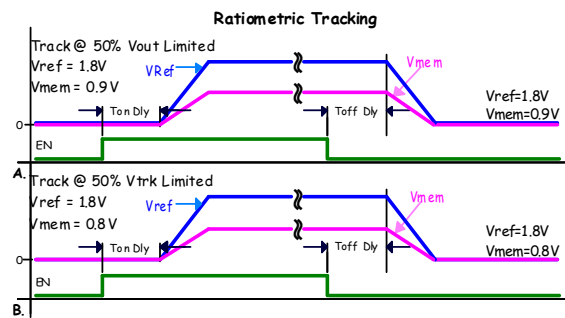


FIGURE 16. RATIOMETRIC TRACKING

## Output Sequencing

A group of Digital-DC modules or devices may be configured to power-up in a predetermined sequence. This feature is especially useful when powering advanced processors, FPGAs and ASICs that require one supply to reach its operating voltage; prior to another supply reaching its operating voltage in order to avoid latch-up. Multi-device sequencing can be achieved by configuring each device through the I<sup>2</sup>C/SMBus interface.

Multiple device sequencing is configured by issuing PMBus commands to assign the preceding device in the sequencing chain as well as the device that follows in the sequencing chain.

The Enable pins of all devices in a sequencing group must be tied together and driven high to initiate a sequenced turn-on of the group. Enable must be driven low to initiate a sequenced turnoff of the group.

## Fault Spreading

Digital DC modules and devices can be configured to broadcast a fault event over the DDC bus to the other devices in the group. When a non-destructive fault occurs and the device is configured to shut down on a fault, the device shuts down and broadcasts the fault event over the DDC bus. The other devices on the DDC bus shut down simultaneously and attempt to re-start in their prescribed order, if configured to do so.

## Active Current Sharing

Paralleling multiple ZL9117M modules can be used to increase the output current capability of a single power rail. By connecting the DDC pins of each module together and configuring the modules as a current sharing rail, the units share the current equally within a few percent. [Figure 17](#) illustrates a typical connection for two modules.

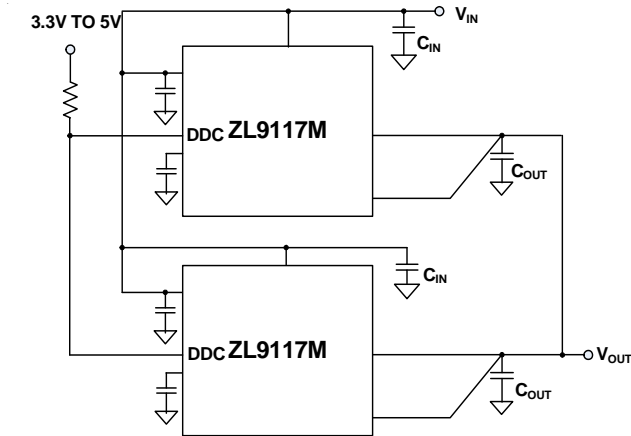


FIGURE 17. CURRENT SHARING GROUP

The ZL9117M uses a low-bandwidth, first-order digital current sharing technique to balance the unequal module output loading by aligning the load lines of member modules to a reference module.

Droop resistance is used to add artificial resistance in the output voltage path to control the slope of the load line curve, calibrating out the physical parasitic mismatches due to power train components and PCB layout.

Upon system start-up, the module with the lowest member position as selected in ISHARE\_CONFIG is defined as the reference module. The remaining modules are members. The reference module broadcasts its current over the DDC bus. The members use the reference current information to trim their voltages ( $V_{MEMBER}$ ) to balance the current loading of each module in the system.

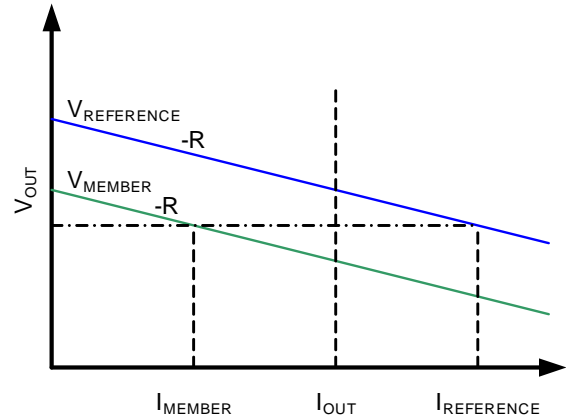


FIGURE 18. ACTIVE CURRENT SHARING

[Figure 18](#) shows that, for load lines with identical slopes, the member voltage is increased towards the reference voltage, which closes the gap between the inductor currents.

The relation between reference and member current and voltage is given by [Equation 2](#):

$$V_{MEMBER} = V_{OUT} + R \times (I_{REFERENCE} - I_{MEMBER}) \quad (EQ. 2)$$

where R is the value of the droop resistance.

The ISHARE\_CONFIG command is used to configure the module for active current sharing. The default setting is a stand-alone non-current sharing module. A current sharing rail can be part of a system sequencing group.

For fault configuration, the current share rail is configured in a quasi-redundant mode. In this mode, when a member module fails, the remaining members continue to operate and attempt to maintain regulation. Of the remaining modules, the module with the lowest member position becomes the reference. If fault spreading is enabled, the current share rail failure is not broadcast until the entire current share rail fails.

The phase offset of (multi-phase) current sharing modules is automatically set to a value between 0° and 337.5° in 22.5° increments as in [Equation 3](#):

$$\text{Phase Offset} = \text{SMBus Address}[4:0] - \text{Current Share Position} * 22.5^\circ \quad (EQ. 3)$$

Please refer to Application Note [AN2034](#) for additional details on current sharing.

## Phase Adding/Dropping

The ZL9117M allows multiple power converters to be connected in parallel to supply higher load currents than can be addressed using a single-phase design. In doing so, the power converter is optimized at a load current range that requires all phases to be operational. During periods of light loading, it may be beneficial to disable one or more phases to eliminate the current drain and switching losses associated with those phases, resulting in higher efficiency.

The ZL9117M offers the ability to add and drop phases using a PMBus command in response to an observed load current



change. All phases in a current share rail are considered active prior to the current sharing rail ramp to power-good.

Any member of the current sharing rail can be dropped. If the reference module is dropped, the remaining active module with the lowest member position becomes the new reference.

Additionally, any change to the number of members of a current sharing rail will precipitate autonomous phase distribution within the rail where all active phases realign their phase position based on their order within the number of active members.

If the members of a current sharing rail are forced to shut down due to an observed fault, all members of the rail attempt to re-start simultaneously after the fault has cleared.

## Monitoring via I<sup>2</sup>C/SMBus

A system controller can monitor a wide variety of different ZL9117M system parameters through the I<sup>2</sup>C/SMBus interface.

The module can monitor for any number of power conversion parameters including but not limited to the following:

- Input voltage/Output voltage
- Output current
- Internal temperature
- Switching frequency
- Duty cycle

## Snapshot Parameter Capture

The ZL9117M offers a special feature that enables the user to capture parametric data during normal operation or following a fault. The Snapshot functionality is enabled by setting Bit 1 of the MISC\_CONFIG command to 1. The SnapShot feature enables the user to read parameters via a block read transfer through the SMBus. This can be done during normal operation, although it should be noted that reading the 32 bytes occupies the SMBus for a period of time.

The SNAPSHOT\_CONTROL command enables the user to store the SnapShot parameters to flash memory in response to a pending fault, as well as to read the stored data from flash memory after a fault has occurred. In order to read the stored data from flash memory, two conditions must apply:

1. The module should be disabled.
2. SnapShot mode should be disabled by changing Bit 1 of MISC\_CONFIG to 0. This is to prevent firmware from updating RAM values after the fault with current values.

[Table 5](#) describes the usage of SNAPSHOT\_CONTROL command. Automatic writes to flash memory following a fault are triggered when any fault threshold level is exceeded, provided that the specific fault's response is to shut down (writing to flash memory is not allowed if the device is configured to retry following the specific fault conditions).

TABLE 5. SNAPSHOT\_CONTROL COMMAND

DATA VALUE	DESCRIPTION
1	Copies current SNAPSHOT values from Flash memory to RAM for immediate access using SNAPSHOT command.
2	Writes current SNAPSHOT values to Flash memory. Only available when device is disabled.

It should be noted that the device's VDD voltage must be maintained during the time when the device is writing the data to flash memory; a process that requires up to 1400µs. Undesirable results may be observed if the device's VDD supply drops below 3.0V during the process.

The following is a recommended procedure for using the SnapShot parameter capture after a fault:

1. Configure the module using config file (optional)
2. Enable the SnapShot mode by setting bit 1 of MISC\_CONFIG command to 1. This can be done before or after the module is enabled. Note: do not store MISC\_CONFIG: SNAPSHOT setting in default/user store.
3. At this point the module starts capturing operational parameters in RAM for SNAPSHOT, in every firmware cycle.
4. The module is configured to capture operational parameters after a fault during operation.
5. After the fault, disable the SnapShot mode by setting Bit 1 of MISC\_CONFIG command to 0. This is to prevent the firmware from updating RAM values after the fault with current values.
6. Disable the module.
7. Send SNAPSHOT\_CONTROL command 1 to read the stored data from flash memory into RAM at any time. Issue a SNAPSHOT command to read the data from RAM via SMBus.
8. Repeat Step 7 to retrieve SNAPSHOT parameters after a power cycle. It is important to make sure SnapShot mode is disabled in the MISC\_CONFIG command.

## Non-Volatile Memory and Device Security Features

The ZL9117M has internal non-volatile memory where user configurations are stored. Integrated security measures ensure that the user can only restore the module to a level that has been made available to them.

During the initialization process, the ZL9117M checks for stored values contained in its internal non-volatile memory. The ZL9117M offers two internal memory storage units that are accessible by the user as follows:

1. **Default Store:** The ZL9117M has a default configuration that is stored in the default store in the controller. The module can be restored to its default settings by issuing a RESTORE\_DEFAULT\_ALL command over the SMBus.
2. **User Store:** The user can modify certain power supply settings as described in this data sheet. The user stores their configuration in the user store.

## OUTPUT CAPACITOR SELECTION

Several trade-offs must also be considered when selecting an output capacitor. Low ESR values are needed to have a small output deviation during transient load steps ( $V_{osag}$ ) and low output voltage ripple ( $V_{orip}$ ). However, capacitors with low ESR, such as semi-stable (X5R and X7R) dielectric ceramic capacitors, also have relatively low capacitance values. Many designs can use a combination of high capacitance devices and low ESR devices in parallel.

For high ripple currents, a low capacitance value can cause a significant amount of output voltage ripple. Likewise, in high transient load steps, a relatively large amount of capacitance is needed to minimize the output voltage deviation while the inductor current ramps up or down to the new steady state output current value.

As a starting point, apportion one-half of the output ripple voltage to the capacitor ESR and the other half to capacitance, as shown in [Equations 4](#) and [5](#):

$$C_{OUT} = \frac{\Delta I_{L(P-P)}}{8 \times f_{sw} \times \frac{V_{orip}}{2}} \quad (\text{EQ. 4})$$

$$ESR = \frac{V_{orip}}{2 \times I_{L(P-P)}} \quad (\text{EQ. 5})$$

Use these values to make an initial capacitor selection, using a single capacitor or several capacitors in parallel.

After a capacitor has been selected, the resulting output voltage ripple can be calculated using [Equation 6](#):

$$V_{orip} = \Delta I_{L(P-P)} \times ESR + \frac{\Delta I_{L(P-P)}}{8 \times f_{sw} \times C_{out}} \quad (\text{EQ. 6})$$

Because each part of this equation was made to be less than or equal to half of the allowed output ripple voltage, the  $V_{orip}$  should be less than the desired maximum output ripple.

Usually, at higher output voltages, inductor ripple current is very high so it is recommend to use a combination of several ceramic capacitor with low ESR bulk capacitors to ensure low output ripple voltage and loop stability. Inadequate amount of capacitance at the output can cause instability to the control loop.

## INPUT CAPACITOR

It is highly recommended that dedicated input capacitors be used in any point-of-load design, even when the supply is powered from a heavily filtered 5V or 12V “bulk” supply from an off-line power supply. This is because of the high RMS ripple current that is drawn by the buck converter topology. This ripple ( $I_{CINrms}$ ) can be determined from [Equation 7](#):

$$I_{CINrms} = I_{OUT} \times \sqrt{D \times (1-D)} \quad (\text{EQ. 7})$$

Without capacitive filtering near the power supply circuit, this current would flow through the supply bus and return planes, coupling noise into other system circuitry. The input capacitors should be rated at 1.2x the ripple current calculated in [Equation 7](#) to avoid overheating of the capacitors due to the high ripple

current, which can cause premature failure. Ceramic capacitors with X7R or X5R dielectric with low ESR and 1.1x the maximum expected input voltage are recommended.

## Layout Guide

To achieve stable operation, low losses, and good thermal performance some layout considerations are necessary.

- Establish a separate ground plane for SGND (pin 9) and PGND (pin 10 and pin 16) and connect them at a single point as shown in the [Figure 19](#). CV25, CVR, RSA, and RVSET are placed on the bottom layer and are connected to a single SGND plane that is connected to the PGND at a single point. This will help to block the high frequency noise from entering to the controller via SGND.
- Place a high frequency ceramic capacitor between (1) VIN and PGND (pin 16), (2) VOUT and PGND (pin 16) and (3) bypass capacitors between VDRV, VDD, V25, VR and the ground plane, as close to the module as possible to minimize high frequency noise. High frequency ceramic capacitors close to the module between VOUT and PGND will help to minimize noise at the output ripple.
- Use large copper areas for power path (VIN, PGND, VOUT) to minimize conduction loss and thermal stress. Also, use multiple vias to connect the power planes in different layers.
- Connect remote sensed traces to the regulation point to achieve a tight output voltage regulation, and keep them in parallel. Route a trace from FB- to a location near the load ground, and a trace from FB+ to the point-of-load where the tight output voltage is desired.
- Avoid routing any sensitive signal traces, such as the VOUT, FB+, FB- sensing point near the PHASE pin.

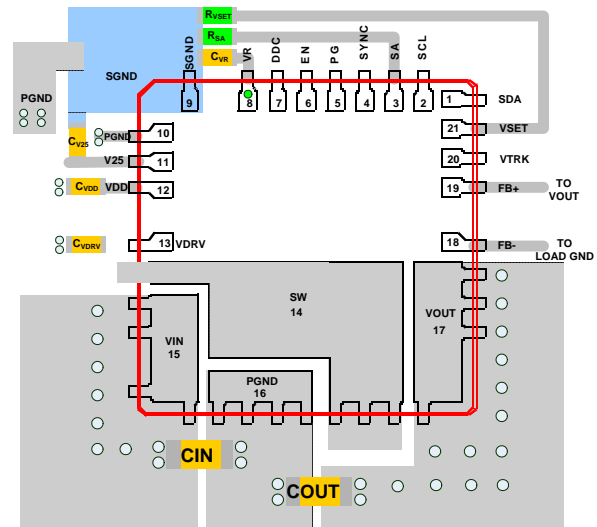


FIGURE 19. RECOMMENDED LAYOUT

## Thermal Consideration

Experimental power loss curves along with  $\theta_{JA}$  from thermal modeling analysis can be used to evaluate the thermal consideration for the module. The derating curves are derived from the maximum power allowed while maintaining the

temperature below the maximum junction temperature of +125°C. In actual application, other heat sources and design margin should be considered.

## Package Description

The structure of the ZL9117M belongs to the Quad Flat-pack No-lead package (QFN). This kind of package has advantages, such as good thermal and electrical conductivity, low weight and small size. The QFN package is applicable for surface mounting technology and is being more readily used in the industry. The ZL9117M contains several types of devices, including resistors, capacitors, inductors and control ICs. The ZL9117M is a copper lead-frame based package with exposed copper thermal pads, which have good electrical and thermal conductivity. The copper lead frame and multi component assembly is overmolded with polymer mold compound to protect these devices.

The package outline and typical PCB layout pattern design and typical stencil pattern design are shown on the second page of the package outline drawing L21.15x15 on page 58. The module has a small size of 15mmx15mmx3.5mm. Figure 20 shows typical reflow profile parameters. These guidelines are general design rules. Users could modify parameters according to their application.

## PCB Layout Pattern Design

The bottom of ZL9117M is a lead-frame footprint, which is attached to the PCB by surface mounting process. The PCB layout pattern is shown on the second page of the Package Outline Drawing L21.15x15 on page 58. The PCB layout pattern is essentially 1:1 with the QFN exposed pad and I/O termination dimensions, except for the PCB lands being a slightly extended distance of 0.2mm (0.4mm max) longer than the QFN terminations, which allows for solder filleting around the periphery of the package. This ensures a more complete and inspectable solder joint. The thermal lands on the PCB layout should match 1:1 with the package exposed die pads.

## Thermal Vias

A grid of 1.0mm to 1.2mm pitch thermal vias, which drops down and connects to buried copper plane(s), should be placed under the thermal land. The vias should be about 0.3mm to 0.33mm in diameter with the barrel plated to about 1.0 ounce copper. Although adding more vias (by decreasing via pitch) will improve the thermal performance, diminishing returns will be seen as more and more vias are added. Simply use as many vias as practical for the thermal land size and your board design rules allow.

## Stencil Pattern Design

Reflowed solder joints on the perimeter I/O lands should have about a 50µm to 75µm (2mil to 3mil) standoff height. The solder paste stencil design is the first step in developing optimized, reliable solder joints. Stencil aperture size to land size ratio should typically be 1:1. The aperture width may be reduced slightly to help prevent solder bridging between adjacent I/O lands. To reduce solder paste volume on the larger thermal lands, it is recommended that an array of smaller apertures be used instead of one large aperture. It is recommended that the stencil printing area cover 50% to 80% of the PCB layout pattern. A typical solder

stencil pattern is shown on the second page of the Package Outline Drawing L21.15x15 on page 58. The gap width between pad to pad is 0.6mm. The user should consider the symmetry of the whole stencil pattern when designing its pads. A laser cut, stainless steel stencil with electropolished trapezoidal walls is recommended. Electropolishing "smooths" the aperture walls resulting in reduced surface friction and better paste release which reduces voids. Using a Trapezoidal Section Aperture (TSA) also promotes paste release and forms a "brick like" paste deposit that assists in firm component placement. A 0.1mm to 0.15mm stencil thickness is recommended for this large pitch (1.3mm) QFN.

## Reflow Parameters

Due to the low mount height of the QFN, "No Clean" Type 3 solder paste per ANSI/J-STD-005 is recommended. Nitrogen purge is also recommended during reflow. A system board reflow profile depends on the thermal mass of the entire populated board, so it is not practical to define a specific soldering profile just for the QFN. The profile given in Figure 20 is provided as a guideline, to be customized for varying manufacturing practices and applications.

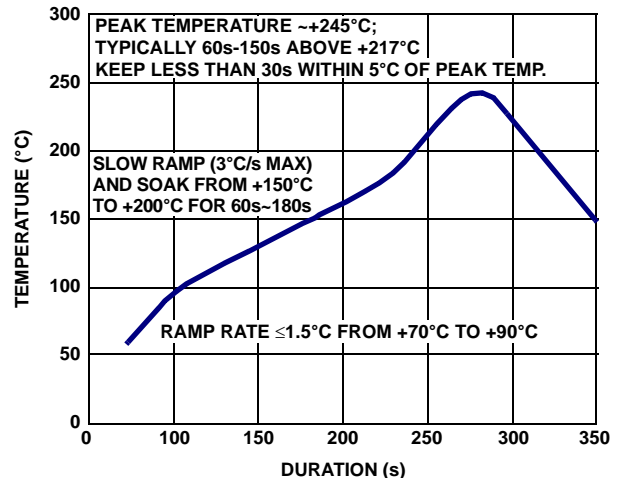


FIGURE 20. TYPICAL REFLOW PROFILE

## PMBus Command Summary

COMMAND CODE	COMMAND NAME	DESCRIPTION	TYPE	DATA FORMAT	DEFAULT VALUE	DEFAULT SETTING	PAGE
01h	OPERATION	Sets Enable, Disable and VOUT Margin modes.	R/W BYTE	BIT			<a href="#">page 24</a>
02h	ON_OFF_CONFIG	Configures device to enable from EN pin or OPEARTION command.	R/W BYTE	BIT	16h	Pin Enable Soft Off	<a href="#">page 25</a>
03h	CLEAR_FAULTS	Clear fault indications	SEND BYTE				<a href="#">page 25</a>
11h	STORE_DEFAULT_ALL	Stores all PMBus values written since last restore at default level.	SEND BYTE				<a href="#">page 25</a>
12h	RESTORE_DEFAULT_ALL	Restores PMBus settings that were stored at default level.	SEND BYTE				<a href="#">page 25</a>
15h	STORE_USER_ALL	Stores all PMBus values written since last restore at user level.	SEND BYTE				<a href="#">page 25</a>
16h	RESTORE_USER_ALL	Restores PMBus settings that were stored in user level.	SEND BYTE				<a href="#">page 26</a>
20h	VOUT_MODE	Preset to defined data format of VOUT commands.	READ BYTE	BIT	13h	Linear Mode, Exponent = -13	<a href="#">page 26</a>
21h	VOUT_COMMAND	Sets the nominal value of VOUT.	R/W WORD	L16u		Pin Strap	<a href="#">page 26</a>
22h	VOUT_TRIM	Sets trim value on VOUT.	R/W WORD	L16s	0000h	0V	<a href="#">page 26</a>
23h	VOUT_CAL_OFFSET	Applies a fixed offset voltage to the VOUT_COMMAND.	R/W WORD	L16s	0000h	0V	<a href="#">page 26</a>
24h	VOUT_MAX	Sets the maximum possible value of VOUT.	R/W WORD	L16u		1.1*VOUT Pin Strap	<a href="#">page 26</a>
25h	VOUT_MARGIN_HIGH	Sets the value of the V <sub>OUT</sub> during a margin high.	R/W WORD	L16u		1.05*VOUT Pin Strap	<a href="#">page 27</a>
26h	VOUT_MARGIN_LOW	Sets the value of the V <sub>OUT</sub> during a margin low.	R/W WORD	L16u		0.95*VOUT Pin Strap	<a href="#">page 27</a>
27h	VOUT_TRANSITION_RATE	Sets the transition rate during margin or other change of V <sub>OUT</sub> .	R/W WORD	L11	BA00h	1V/ms	<a href="#">page 27</a>
28h	VOUT_DROOP	Sets the loadline (V/I Slope) resistance for the rail.	R/W WORD	L11	0000h	0mV/A	<a href="#">page 27</a>
32h	MAX_DUTY	Sets the maximum allowable duty cycle.	R/W WORD	L11	EADBh	91.375%	<a href="#">page 27</a>
33h	FREQUENCY_SWITCH	Sets the switching frequency.	R/W WORD	L11		Pin Strap	<a href="#">page 28</a>
37h	INTERLEAVE	Sets a phase offset between devices sharing a SYNC clock.	R/W WORD	BIT		Set based on PMBus Address	<a href="#">page 28</a>
38h	IOUT_CAL_GAIN	Sense resistance for inductor DCR current sensing.	R/W WORD	L11	BA2Ah	1.083mΩ	<a href="#">page 28</a>
39h	IOUT_CAL_OFFSET	Sets the current-sense offset.	R/W WORD	L11	BE00h	-1A	<a href="#">page 28</a>
40h	VOUT_OV_FAULT_LIMIT	Sets the VOUT overvoltage fault threshold.	R/W WORD	L16u		1.15 * VOUT Pin Strap	<a href="#">page 28</a>
41h	VOUT_OV_FAULT_RESPONSE	Configures the VOUT overvoltage fault response.	R/W BYTE	BIT	80h		<a href="#">page 29</a>
44h	VOUT_UV_FAULT_LIMIT	Sets the VOUT undervoltage fault threshold.	R/W WORD	L16u		0.85*VOUT Pin Strap	<a href="#">page 29</a>
45h	VOUT_UV_FAULT_RESPONSE	Configures the VOUT undervoltage fault response.	R/W BYTE	BIT	80h	Disable and No Retry	<a href="#">page 29</a>
46h	IOUT_OC_FAULT_LIMIT	Sets the IOUT peak overcurrent fault threshold.	R/W WORD	L11	E250h	37A	<a href="#">page 30</a>
4Bh	IOUT_UC_FAULT_LIMIT	Sets the IOUT valley undercurrent fault threshold.	R/W WORD	L11	E5B0h	-37A	<a href="#">page 30</a>
4Fh	OT_FAULT_LIMIT	Sets the over-temperature fault threshold.	R/W WORD	L11	EBE8h	125° C	<a href="#">page 30</a>

# ZL9117M

## PMBus Command Summary (Continued)

COMMAND CODE	COMMAND NAME	DESCRIPTION	TYPE	DATA FORMAT	DEFAULT VALUE	DEFAULT SETTING	PAGE
50h	OT_FAULT_RESPONSE	Configures the over-temperature fault response.	R/W BYTE	BIT	80h	Disable and No Retry	<a href="#">page 30</a>
51h	OT_WARN_LIMIT	Sets the over-temperature warning limit.	R/W WORD	L11	Eb70h	+110 °C	<a href="#">page 31</a>
52h	UT_WARN_LIMIT	Sets the under-temperature warning limit.	R/W WORD	L11	E4E0h	-50 °C	<a href="#">page 31</a>
53h	UT_FAULT_LIMIT	Sets the under-temperature fault threshold.	R/W WORD	L11	E490h	-55 °C	<a href="#">page 31</a>
54h	UT_FAULT_RESPONSE	Configures the under-temperature fault response.	R/W BYTE	BIT	80h	Disable and No Retry	<a href="#">page 31</a>
55h	VIN_OV_FAULT_LIMIT	Sets the VIN overvoltage fault threshold.	R/W WORD	L11	D3A0h	14.5V	<a href="#">page 32</a>
56h	VIN_OV_FAULT_RESPONSE	Configures the VIN overvoltage fault response.	R/W BYTE	BIT	80h	Disable and No Retry	<a href="#">page 32</a>
57h	VIN_OV_WARN_LIMIT	Sets the VIN overvoltage warning limit.	R/W WORD	L11	D34Dh	13.2V	<a href="#">page 33</a>
58h	VIN_UV_WARN_LIMIT	Sets the VIN undervoltage fault threshold.	R/W WORD	L11	CA30h	4.38V	<a href="#">page 33</a>
59h	VIN_UV_FAULT_LIMIT	Sets the VIN undervoltage warning limit.	R/W WORD	L11	CA00h	4V	<a href="#">page 33</a>
5Ah	VIN_UV_FAULT_RESPONSE	Configures the VIN undervoltage fault response.	R/W BYTE	BIT	80h	Disable and No Retry	<a href="#">page 33</a>
5Eh	POWER_GOOD_ON	Sets the voltage threshold for Power Good indication.	R/W WORD	L16u		0.9*VOUT Pin Strap	<a href="#">page 34</a>
60h	TON_DELAY	Sets the delay time from ENABLE to start of VOUT rise.	R/W WORD	L11	CA80h	5ms	<a href="#">page 34</a>
61h	TON_RISE	Sets the rise time of VOUT after ENABLE and TON_DELAY.	R/W WORD	L11	D280h	10ms	<a href="#">page 34</a>
64h	TOFF_DELAY	Sets the delay time from DISABLE to START of VOUT fall.	R/W WORD	L11	CA80h	5ms	<a href="#">page 34</a>
65h	TOFF_FALL	Sets the fall time of VOUT after DISABLE and TOFF_DELAY.	R/W WORD	L11	D280h	10ms	<a href="#">page 34</a>
78h	STATUS_BYTE	Summary of most critical faults	READ BYTE	BIT	00h	No faults	<a href="#">page 34</a>
79h	STATUS_WORD	Summary of critical faults	READ WORD	BIT	0000h	No faults	<a href="#">page 35</a>
7Ah	STATUS_VOUT	Reports VOUT warnings/faults	READ BYTE	BIT	00h	No faults	<a href="#">page 35</a>
7Bh	STATUS_IOUT	Reports IOUT warnings/faults	READ BYTE	BIT	00h	No faults	<a href="#">page 36</a>
7Ch	STATUS_INPUT	Reports input warnings/faults	READ BYTE	BIT	00h	No faults	<a href="#">page 36</a>
7Dh	STATUS_TEMPERATURE	Reports temperature warnings/faults	READ BYTE	BIT	00h	No faults	<a href="#">page 36</a>
7Eh	STATUS_CML	Reports Communication, memory, logic errors	READ BYTE	BIT	00h	No faults	<a href="#">page 37</a>
80h	STATUS_MFR_SPECIFIC	Reports voltage monitoring/clock sync faults	READ BYTE	BIT	00h	No faults	<a href="#">page 37</a>
88h	READ_VIN	Reports input voltage measurement	READ WORD	L11			<a href="#">page 37</a>
8Bh	READ_VOUT	Reports input current measurement	READ WORD	L16u			<a href="#">page 37</a>
8Ch	READ_IOUT	Reports output current measurement	READ WORD	L11			<a href="#">page 38</a>
8Dh	READ_TEMPERATURE_1	Reports temperature reading internal to the device	READ WORD	L11			<a href="#">page 38</a>

# ZL9117M

## PMBus Command Summary (Continued)

COMMAND CODE	COMMAND NAME	DESCRIPTION	TYPE	DATA FORMAT	DEFAULT VALUE	DEFAULT SETTING	PAGE
94h	READ_DUTY_CYCLE	Reports actual duty cycle	READ WORD	L11			<a href="#">page 38</a>
95h	READ_FREQUENCY	Reports actual switching frequency	READ WORD	L11			<a href="#">page 38</a>
98h	PMBUS_REVISION	Returns the revision of the PMBus.	READ BYTE	HEX			<a href="#">page 38</a>
99h	MFR_ID	Sets a user defined identification.	R/W BLOCK	ASC		<null>	<a href="#">page 38</a>
9Ah	MFR_MODEL	Sets a user defined model.	R/W BLOCK	ASC		<null>	<a href="#">page 38</a>
9Bh	MFR_REVISION	Sets a user defined revision.	R/W BLOCK	ASC		<null>	<a href="#">page 39</a>
9Ch	MFR_LOCATION	Sets a user defined location identifier.	R/W BLOCK	ASC		<null>	<a href="#">page 39</a>
9Dh	MFR_DATE	Sets a user defined data.	R/W BLOCK	ASC		<null>	<a href="#">page 39</a>
9Eh	MFR_SERIAL	Sets a user defined serialized identifier.	R/W BLOCK	ASC		<null>	<a href="#">page 39</a>
B0h	USER_DATA_00	Sets a user defined data.	R/W BLOCK	ASC		<null>	<a href="#">page 39</a>
BCh	AUTO_COMP_CONFIG	Configures the Auto Compensation features.	R/W BYTE	CUS	69h	Autocomp Enabled Gain = 70%	<a href="#">page 40</a>
BDh	AUTO_COMP_CONTROL	Causes the Auto Comp algorithm to initiate.	SEND BYTE	BIT			<a href="#">page 40</a>
BFh	DEADTIME_MAX	Sets the maximum deadtime values.	R/W WORD	CUS	3838h	H-L = 56ns L-H = 56ns	<a href="#">page 40</a>
D0h	MFR_CONFIG	Configures several manufacturer level features.	R/W WORD	BIT	6A11h	Refer to description	<a href="#">page 41</a>
D1h	USER_CONFIG	Configures several user level features.	R/W WORD	BIT	2011h	Refer to description	<a href="#">page 41</a>
D2h	ISHARE_CONFIG	Configures the device for current sharing mode.	R/W WORD	BIT	0000h	Current share disabled	<a href="#">page 42</a>
D3h	DDC_CONFIG	Configures the DDC bus.	R/W WORD	BIT		Set based on PMBus Address	<a href="#">page 42</a>
D4h	POWER_GOOD_DELAY	Sets the delay PG threshold and asserting the PG pin.	R/W WORD	L11	BA00h	1ms	<a href="#">page 43</a>
D5h	PID_TAPS	Configures the control loop compensator coefficients.	R/W BLOCK	CUS		Calculated by Autocomp	<a href="#">page 43</a>
D6h	INDUCTOR	Sets the inductor value	R/W WORD	L11	B0E1h	0.22μH	<a href="#">page 44</a>
D7h	NLR_CONFIG	Configures the non-linear response (NLR) control.	R/W WORD	BIT	00000000h	Refer description section	<a href="#">page 44</a>
D8h	OVUV_CONFIG	Configures output voltage OV/UV fault detection	R/W BYTE	BIT	00h	Fastest Response No Crowbar	<a href="#">page 44</a>
DCh	TEMPCO_CONFIG	Sets tempco settings	R/W BYTE	CUS	2Ch	4400 ppm/ °C	<a href="#">page 45</a>
DDh	DEADTIME	Sets default dead time settings	R/W WORD	CUS	1018h	H-L = 16ns L-H = 24ns	<a href="#">page 45</a>
DEh	DEADTIME_CONFIG	Configures the adaptive dead time optimization mode	R/W WORD	CUS	8686h	Adaptive dead time Disabled	<a href="#">page 45</a>
E0h	SEQUENCE	DDC rail sequencing configuration	R/W WORD	BIT	0000h	Prequel and Sequel Disabled	<a href="#">page 46</a>
E1h	TRACK_CONFIG	Configures voltage tracking modes	R/W BYTE	BIT	00h	Tracking Disabled	<a href="#">page 46</a>
E2h	DDC_GROUP	Configures group ID, fault spreading, OPERATION and VOUT	R/W BLOCK	BIT	00000000h	Ignore Fault Spread	<a href="#">page 47</a>
E4h	DEVICE_ID	Returns the device identifier string	READ BLOCK	ASC		Reads Device Version	<a href="#">page 47</a>

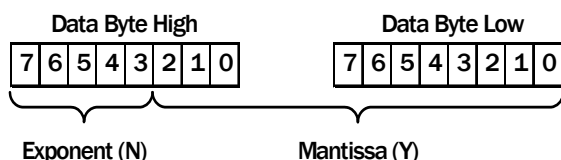
## PMBus Command Summary (Continued)

COMMAND CODE	COMMAND NAME	DESCRIPTION	TYPE	DATA FORMAT	DEFAULT VALUE	DEFAULT SETTING	PAGE
E5h	MFR_IOUT_OC_FAULT_RESPONSE	Configures the IOUT overcurrent fault response.	R/W BYTE	BIT	80h	Disable and No Retry	<a href="#">page 47</a>
E6h	MFR_IOUT_UC_FAULT_RESPONSE	Configures the IOUT undercurrent fault response.	R/W BYTE	BIT	80h	Disable and No Retry	<a href="#">page 48</a>
E7h	IOUT_AVG_OC_FAULT_LIMIT	Sets the IOUT average overcurrent fault threshold.	R/W WORD	L11	DB20h	25A	<a href="#">page 48</a>
E8h	IOUT_AVG_UC_FAULT_LIMIT	Sets the IOUT average undercurrent fault threshold.	R/W WORD	L11	DCE0h	-25A	<a href="#">page 48</a>
E9h	MISC_CONFIG	Sets options pertaining to advanced features.	R/W WORD	BIT	0800h	Broadcast Disabled	<a href="#">page 49</a>
EAh	SNAPSHOT	32-byte read-back of parametric and status values	READ BLOCK	BIT		N/A	<a href="#">page 49</a>
EBh	BLANK_PARAMS	Indicates recently saved parameter values	READ BLOCK	BIT	FF...FFh		<a href="#">page 50</a>
F0h	PHASE_CONTROL	Controls Phase adding/dropping for current sharing configuration.	R/W BYTE	BIT	00h	All Phases active	<a href="#">page 50</a>
F3h	SNAPSHOT_CONTROL	Controls how SNAPSHOT values are handled.	R/W BYTE	BIT			<a href="#">page 50</a>
F4h	RESTORE_FACTORY	Restores device to the hard-coded default values	SEND BYTE				<a href="#">page 50</a>
F5h	MFR_VMON_OV_FAULT_LIMIT	Sets the VDRV overvoltage fault threshold	R/W WORD	L11	CB80	7V	<a href="#">page 50</a>
F6h	MFR_VMON_UV_FAULT_LIMIT	Sets the VDRV undervoltage fault threshold	R/W WORD	L11	CA40h	4.5V	<a href="#">page 51</a>
F7h	MFR_READ_VMON	Reads the VDRV voltage	READ WORD	L11			<a href="#">page 51</a>
F8h	VMON_OV_FAULT_RESPONSE	Configures the VDRV overvoltage fault response	R/W BYTE	BIT	80h	Disable and No Retry	<a href="#">page 51</a>
F9h	VMON_UV_FAULT_RESPONSE	Configures the VDRV undervoltage fault response	R/W BYTE	BIT	80h	Disable and No Retry	<a href="#">page 51</a>
FAh	SECURITY_LEVEL	Reports the security level	READ BYTE	HEX	1	Public Security Level	<a href="#">page 52</a>
FBh	PRIVATE_PASSWORD	Sets the private password string	R/W BLOCK	ASC	000...00h		<a href="#">page 54</a>
FCh	PUBLIC_PASSWORD	Sets the public password string	R/W BLOCK	ASC	00...00h		<a href="#">page 54</a>
FDh	UNPROTECT	Identifies which commands are protected	R/W BLOCK	BIT	FF...FFh	N/A	<a href="#">page 54</a>

## PMBus™ Data Formats

### Linear-11 (L11)

L11 data format uses 5-bit two's complement exponent (N) and 11-bit two's complement mantissa (Y) to represent real world decimal value (X).



Relation between real world decimal value (X), N and Y is:  $X = Y \cdot 2^N$

### Linear-16 Unsigned (L16u)

L16u data format uses a fixed exponent (hard-coded to  $N = -13h$ ) and a 16-bit unsigned integer mantissa (Y) to represent real world decimal value (X). Relation between real world decimal value (X), N and Y is:  $X = Y \cdot 2^{-13}$

### Linear-16 Signed (L16s)

L16s data format uses a fixed exponent (hard-coded to  $N = -13h$ ) and a 16-bit two's complement mantissa (Y) to represent real world decimal value (X).

Relation between real world decimal value (X), N and Y is:  $X = Y \cdot 2^{-13}$

### Bit Field (BIT)

Break down of Bit Field is provided in the following PMBus™ Command Description Section

### Custom (CUS)

Break down of Custom data format is provided in the following PMBus™ Command Description section. A combination of Bit Field and integer are common type of Custom data format.

### ASCII (ASC)

A variable length string of text characters uses ASCII data format.

## PMBus Commands Description

### OPERATION (01h)

**Definition:** Sets Enable, Disable and VOUT Margin settings. If multiple ZL9117M modules are configured as a current sharing rail, and at the mean time are configured to start/shutdown from ENABLE pin (in the ON\_OFF\_CONFIG), then the margining of the current sharing rail should follow this procedure: the desired OPERATION command should be sent to all the member modules first, then the same OPERATION command is sent to the reference module at last.

**Data Length in Bytes:** 1

**Data Format:** BIT

**Type:** R/W Byte

**Default Value:**

**Units:** N/A

SETTINGS	ACTIONS
04h	Immediate off (no sequencing)
44h	Soft off (with sequencing)
84h	On - Nominal
94h	On - Margin low
A4h	On - Margin high



# ZL9117M

## ON\_OFF\_CONFIG (02h)

**Definition:** Configures the interpretation and coordination of the OPERATION command and the ENABLE pin (EN).

**Data Length in Bytes:** 1

**Data Format:** BIT

**Type:** R/W Byte

**Default Value:** 16h (Device starts/shutdown from ENABLE pin with soft off)

**Units:** N/A

SETTINGS	ACTIONS
00h	Device starts any time power is present regardless of ENABLE pin or OPERATION command states.
16h	Device starts/shutdowns from ENABLE pin with soft off option
17h	Device starts/shutdowns from ENABLE pin with immediate off option
1Ah	Device starts/shutdowns from OPERATION command

## CLEAR\_FAULTS (03h)

**Definition:** Clears all fault bits in all registers. If a fault condition still exists, the bit will reassert immediately. This command will not restart a device if it has shut down, it will only clear the faults.

**Data Length in Bytes:** 0

**Data Format:** N/A

**Type:** Send Byte

**Default Value:** N/A

**Units:** N/A

## STORE\_DEFAULT\_ALL (11h)

**Definition:** Stores all current PMBus™ values from the operating memory into the non-volatile DEFAULT Store memory. To clear the DEFAULT store, perform a RESTORE\_FACTORY then STORE\_DEFAULT\_ALL. To add to the DEFAULT store, perform a RESTORE\_DEFAULT\_ALL, write commands to be added, then STORE\_DEFAULT\_ALL. This command should not be used during device operation, the device will be unresponsive for 20ms while storing values.

**Data Length in Bytes:** 0

**Data Format:** N/A

**Type:** Send Byte

**Default Value:** N/A

**Units:** N/A

## RESTORE\_DEFAULT\_ALL (12h)

**Definition:** Restores PMBus™ settings from the non-volatile DEFAULT Store memory into the operating memory. These settings are loaded at power up if not superseded by settings in USER store. Security level is changed to level 1 following this command. This command should not be used during device operation.

**Data Length in Bytes:** 0

**Data Format:** N/A

**Type:** Send Byte

**Default Value:** N/A

**Units:** N/A

## STORE\_USER\_ALL (15h)

**Definition:** Stores all PMBus settings from the operating memory to the non-volatile USER store memory. To clear the USER store, perform a RESTORE\_FACTORY then STORE\_USER\_ALL. To add to the USER store, perform a RESTORE\_USER\_ALL, write commands to be added, then STORE\_USER\_ALL. This command can be used during device operation, but the device will be unresponsive for 20ms while storing values.

**Data Length in Bytes:** 0

**Data Format:** N/A

**Type:** Send Byte

**Default Value:** N/A

**Units:** N/A

## RESTORE\_USER\_ALL (16h)

**Definition:** Restores all PMBus settings from the USER store memory to the operating memory. Command performed at power-up. Security level is changed to Level 1 following this command. This command can be used during device operation.

**Data Length in Bytes:** 0

**Data Format:** N/A

**Type:** Send Byte

**Default Value:** N/A

**Units:** N/A

## VOUT\_MODE (20h)

**Definition:** Reports the VOUT mode and provides the exponent used in calculating several VOUT settings. Fixed with linear mode with default exponent (N) = -13.

**Data Length in Bytes:** 1

**Data Format:** BIT

**Type:** Read only

**Default Value:** 13h (Linear Mode, N = -13)

**Units:** N/A

## VOUT\_COMMAND (21h)

**Definition:** This command sets or reports the target output voltage. This command cannot set a value higher than either VOUT\_MAX or 110% of the pin strap VOUT setting.

**Data Length in Bytes:** 2

**Data Format:** L16u

**Type:** R/W Word

**Default Value:** Pin strap setting

**Units:** Volts

**Range:** 0V to VOUT\_MAX

## VOUT\_TRIM (22h)

**Definition:** Sets a trim value on VOUT

**Data Length in Bytes:** 2

**Data Format:** L16s

**Type:** R/W Word

**Default Value:** 0000h

**Units:** Volts

**Range:** -4V to 4V

## VOUT\_CAL\_OFFSET (23h)

**Definition:** The VOUT\_CAL\_OFFSET command is used to apply a fixed offset voltage to the output voltage command value. This command is typically used by the user to calibrate a device in the application circuit.

**Data Length in Bytes:** 2

**Data Format:** L16s

**Type:** R/W Word

**Default Value:** 0000h

**Units:** Volts

**Range:** -4V to 4V

## VOUT\_MAX (24h)

**Definition:** The VOUT\_MAX command sets an upper limit on the output voltage the unit can command regardless of any other commands or combinations. The intent of this command is to provide a safeguard against a user accidentally setting the output voltage to a possibly destructive level rather than to be the primary output overprotection.

**Data Length in Bytes:** 2

**Data Format:** L16u

**Type:** R/W Word

**Default Value:** 1.10 x VOUT\_COMMAND pin strap setting

**Units:** Volts

**Range:** 0V to 4V

## **VOUT\_MARGIN\_HIGH (25h)**

**Definition:** Sets the value of the VOUT during a margin high. This VOUT\_MARGIN\_HIGH command loads the unit with the voltage to which the output is to be changed when the OPERATION command is set to “Margin High”.

**Data Length in Bytes:** 2

**Data Format:** L16u

**Type:** R/W Word

**Default value:** 1.05 x VOUT\_COMMAND pin strap setting

**Units:** Volts

**Range:** 0V to VOUT\_MAX

## **VOUT\_MARGIN\_LOW (26h)**

**Definition:** Sets the value of the VOUT during a margin low. This VOUT\_MARGIN\_LOW command loads the unit with the voltage to which the output is to be changed when the OPERATION command is set to “Margin Low”.

**Data Length in Bytes:** 2

**Data Format:** L16u

**Type:** R/W Word

**Default value:** 0.95 x VOUT\_COMMAND pin strap setting

**Units:** Volts

**Range:** 0V to VOUT\_MAX

## **VOUT\_TRANSITION\_RATE (27h)**

**Definition:** This command sets the rate at which the output should change voltage when the device receives an OPERATION command (Margin High, Margin Low) that causes the output voltage to change. The maximum possible positive value of the two data bytes indicates that the device should make the transition as quickly as possible.

**Data Length in Bytes:** 2

**Data Format:** L11

**Type:** R/W Word

**Default value:** BA00h (1.0 V/ms)

**Units:** V/ms

**Range:** 0.1 to 4V/ms

## **VOUT\_DROOP (28h)**

**Definition:** The VOUT\_DROOP sets the effective load line (V/I slope) for the rail in which the device is used. It is the rate, in mV/A, at which the output voltage decreases (or increases) with increasing (or decreasing) output current for use with Adaptive Voltage Positioning requirements and passive current sharing schemes.

**Data Length in Bytes:** 2

**Data Format:** L11

**Type:** R/W Word

**Default value:** 0000h (0mV/A)

**Units:** mV/A

**Range:** 0 to 40 mV/A

## **MAX\_DUTY (32h)**

**Definition:** Sets the maximum allowable duty cycle

**Data Length in Bytes:** 2

**Data Format:** L11

**Type:** R/W Word

**Default Value:** EABDh (91.375%)

**Units:** %

# ZL9117M

## FREQUENCY\_SWITCH (33h)

**Definition:** Sets the switching frequency of the device. Initial default value is defined by a pin strap and this value can be overridden by writing this command via PMBus. If an external SYNC is utilized, this value should be set as close as possible to the external clock value. The output must be disabled when writing this command.

**Data Length in Bytes:** 2

**Data Format:** L11

**Type:** R/W Word

**Default Value:** Pin strap setting

**Units:** kHz

**Range:** 400kHz to 1000kHz

## INTERLEAVE (37h)

**Definition:** Configures the phase offset of a device that is sharing a common SYNC clock with other devices. A value of 0 for the Number in Group field is interpreted as 16, to allow for phase spreading groups of up to 16 devices. For current sharing rails, INTERLEAVE is used to set the initial phase of the rail. The current share devices then automatically distribute their phase relative to the INTERLEAVE setting.

**Data Length in Bytes:** 2

**Data Format:** BIT

**Type:** R/W Word

**Default Value:** Set based on pin-strap PMBus address

**Units:** N/A

BITS	PURPOSE	VALUE	DESCRIPTION
15:2	Reserved	0	Reserved
11:8	Group Number	0 to 15	Sets a number to a group of interleaved rails
7:4	Number in Group	0 to 15	Sets the number of rails in the group A value of 0 is interpreted as 16
3:0	Position in Group	0 to 15	Sets position of the device's rail within the group

## IOUT\_CAL\_GAIN (38h)

**Definition:** Sets the effective impedance across the current sense circuit for use in calculating output current at +25°C.

**Data Length in Bytes:** 2

**Data Format:** L11

**Type:** R/W Word

**Default Value:** BA2Ah (1.083mΩ)

**Units:** mΩ

## IOUT\_CAL\_OFFSET (39h)

**Definition:** Used to null out any offsets in the output current sensing circuit, and to compensate for delayed measurements of current ramp due to Isense blanking time.

**Data Length in Bytes:** 2

**Data Format:** L11

**Type:** R/W Word

**Default Value:** BE00h (-1A)

**Units:** A

## VOUT\_OV\_FAULT\_LIMIT (40h)

**Definition:** Sets the VOUT overvoltage fault threshold.

**Data Length in Bytes:** 2

**Data Format:** L16u

**Type:** R/W Word

**Default Value:** 1.15 x VOUT\_COMMAND pin strap setting

**Units:** V

**Range:** 0V to VOUT\_MAX

# ZL9117M

## VOUT\_OV\_FAULT\_RESPONSE (41h)

**Definition:** Configures the VOUT overvoltage fault response. Note that the device cannot be set to ignore this fault mode. The retry time is the time between restart attempts.

**Data Length in Bytes:** 1

**Data Format:** BIT

**Type:** R/W Byte

**Default Value:** 80h (Disable and no retry)

**Units:** N/A

BIT	FIELD NAME	VALUE	DESCRIPTION
7:6	Response Behavior: Sets the related fault bit in the status registers. Fault bits are only cleared by the CLEAR_FAULTS command.	00	Continuous operation (Ignore fault)
		01	Delay, Disable and Retry Delay time is specified by bits [2:0] and retry attempt is specified in bits [5:3].
		10	Disable and Retry according to the setting in bits [5:3].
		11	Output is disabled while the fault is present. Output is enabled when the fault condition no longer exists.
5:3	Retry Setting	000	No Retry. The output remains disabled until the device is restarted.
		001-110	The PMBus device attempts to restart the number of times set by these bits. The time between the start is set by the value in bits [2:0].
		111	Attempts to restart continuously, without checking if the fault is still present, until it is disabled, bias power is removed, or another fault condition causes the unit to shut down.
2:0	Retry and Delay Time	000-111	This time count is used for both the amount of time between retry attempts and for the amount of time a rail is to delay its response after a fault is detected. The retry time and delay time units are defined by the type of fault within each device.

## VOUT\_UV\_FAULT\_LIMIT (44h)

**Definition:** Sets the VOUT undervoltage fault threshold. This fault is masked during ramp or when the device is disabled.

**Data Length in Bytes:** 2

**Data Format:** L16u

**Type:** R/W Word

**Default Value:** 0.85 x VOUT\_COMMAND pin strap setting

**Units:** V

**Range:** 0V to VOUT\_MAX

## VOUT\_UV\_FAULT\_RESPONSE (45h)

**Definition:** Configures the VOUT undervoltage fault response.

**Data Length in Bytes:** 1

**Data Format:** BIT

**Type:** R/W Byte

**Default Value:** 80h (Disable, no retry)

**Units:** N/A

BIT	FIELD NAME	VALUE	DESCRIPTION
7:6	Response Behavior: Sets the related fault bit in the status registers. Fault bits are only cleared by the CLEAR_FAULTS command.	00	Continuous operation (Ignore fault)
		01	Delay, Disable and Retry Delay time is specified by bits [2:0] and retry attempt is specified in bits [5:3].
		10	Disable and Retry according to the setting in bits [5:3].
		11	Output is disabled while the fault is present. Output is enabled when the fault condition no longer exists.

# ZL9117M

BIT	FIELD NAME	VALUE	DESCRIPTION
5:3	Retry Setting	000	No Retry. The output remains disabled until the device is restarted.
		001-110	The PMBus device attempts to restart the number of times set by these bits. The time between the start is set by the value in bits [2:0].
		111	Attempts to restart continuously, without checking if the fault is still present, until it is disabled, bias power is removed, or another fault condition causes the unit to shut down.
2:0	Retry and Delay Time	000-111	This time count is used for both the amount of time between retry attempts and for the amount of time a rail is to delay its response after a fault is detected. The retry time and delay time units are defined by the type of fault within each device.

## IOUT\_OC\_FAULT\_LIMIT (46h)

**Definition:** Sets the inductor peak overcurrent fault threshold. This limit is applied to current measurement samples taken after the current sense blanking time has expired. A fault occurs after this limit is exceeded for the number of consecutive samples as defined in MFR\_CONFIG.

**Data Length in Bytes:** 2

**Data Format:** L11

**Type:** R/W Word

**Default Value:** E250h (37A)

**Units:** A

**Range:** -100 to 100A

## IOUT\_UC\_FAULT\_LIMIT (4Bh)

**Definition:** Sets the inductor valley undercurrent fault threshold. This limit is applied to current measurement samples taken after the current sense blanking time has expired. A fault occurs after this limit is exceeded for the number of consecutive samples as defined in MFR\_CONFIG.

**Data Length in Bytes:** 2

**Data Format:** L11

**Type:** R/W Word

**Default Value:** E5B0h (-37A)

**Units:** A

**Range:** -100 to 100A

## OT\_FAULT\_LIMIT (4Fh)

**Definition:** Sets the temperature at which the device should indicate an over-temperature fault. Note that the temperature must drop below OT\_WARN\_LIMIT to clear this fault.

**Data Length in Bytes:** 2

**Data Format:** L11

**Type:** R/W Word

**Default Value:** EBE8h (+125°C)

**Units:** Celsius

**Range:** 0 to +175°C

## OT\_FAULT\_RESPONSE (50h)

**Definition:** Instructs the device on what action to take in response to an over-temperature fault. The delay time is the time between restart attempts.

**Data Length in Bytes:** 1

**Data Format:** BIT

**Type:** R/W Byte

**Default Value:** 80h (Disable and no retry)

**Units:** N/A

# ZL9117M

BIT	FIELD NAME	VALUE	DESCRIPTION
7:6	Response Behavior: Sets the related fault bit in the status registers. Fault bits are only cleared by the CLEAR_FAULTS command.	00	Continuous operation (Ignore fault)
		01	Delay, Disable and Retry Delay time is specified by bits [2:0] and retry attempt is specified in bits [5:3].
		10	Disable and Retry according to the setting in bits [5:3].
		11	Output is disabled while the fault is present. Output is enabled when the fault condition no longer exists.
5:3	Retry Setting	000	No Retry. The output remains disabled until the device is restarted.
		001-110	The PMBus device attempts to restart the number of times set by these bits. The time between the start is set by the value in bits [2:0].
		111	Attempts to restart continuously, without checking if the fault is still present, until it is disabled, bias power is removed, or another fault condition causes the unit to shut down.
2:0	Retry and Delay Time	000-111	This time count is used for both the amount of time between retry attempts and for the amount of time a rail is to delay its response after a fault is detected. The retry time and delay time units are defined by the type of fault within each device.

## OT\_WARN\_LIMIT (51h)

**Definition:** Sets the temperature at which the device should indicate an over-temperature warning alarm. In response to the OT\_WARN\_LIMIT being exceeded, the device: Sets the TEMPERATURE bit in STATUS\_WORD, Sets the OT\_WARNING bit in STATUS\_TEMPERATURE, and notifies the host.

**Data Length in Bytes:** 2

**Data Format:** L11.

**Type:** R/W Word

**Default Value:** EB70h (+110 °C)

**Units:** Celsius

**Range:** 0 to +175 °C

## UT\_WARN\_LIMIT (52h)

**Definition:** Set the temperature at which the device should indicate an under-temperature warning alarm. In response to the UT\_WARN\_LIMIT being exceeded, the device sets the TEMPERATURE bit in STATUS\_WORD, sets the UT\_WARNING bit in STATUS\_TEMPERATURE, and notifies the host.

**Data Length in Bytes:** 2

**Data Format:** L11.

**Type:** R/W Word

**Default Value:** E4E0h (-50 °C)

**Units:** Celsius

**Range:** -55 to +25 °C

## UT\_FAULT\_LIMIT (53h)

**Definition:** Sets the temperature at which the device should indicate an under-temperature fault. Note that the temperature must rise above UT\_WARN\_LIMIT to clear this fault.

**Data Length in Bytes:** 2

**Data Format:** L11

**Type:** R/W Word

**Default Value:** E490h (-55 °C)

**Units:** Celsius

**Range:** -55 to +25 °C

## UT\_FAULT\_RESPONSE (54h)

**Definition:** Instructs the device on what action to take in response to an under-temperature fault. The delay time is the time between restart attempts.

**Data Length in Bytes:** 1

**Data Format:** BIT

**Type:** R/W Byte

**Default Value:** 80h (Disable, no retry)

**Units:** N/A

# ZL9117M

BIT	FIELD NAME	VALUE	DESCRIPTION
7:6	Response Behavior: Sets the related fault bit in the status registers. Fault bits are only cleared by the CLEAR_FAULTS command.	00	Continuous operation (Ignore fault)
		01	Delay, Disable and Retry Delay time is specified by bits [2:0] and retry attempt is specified in bits [5:3].
		10	Disable and Retry according to the setting in bits [5:3].
		11	Output is disabled while the fault is present. Output is enabled when the fault condition no longer exists.
5:3	Retry Setting	000	No Retry. The output remains disabled until the device is restarted.
		001-110	The PMBus device attempts to restart the number of times set by these bits. The time between the start is set by the value in bits [2:0].
		111	Attempts to restart continuously, without checking if the fault is still present, until it is disabled, bias power is removed, or another fault condition causes the unit to shut down.
2:0	Retry and Delay Time	000-111	This time count is used for both the amount of time between retry attempts and for the amount of time a rail is to delay its response after a fault is detected. The retry time and delay time units are defined by the type of fault within each device.

## VIN\_OV\_FAULT\_LIMIT (55h)

**Definition:** Sets the VIN overvoltage fault threshold.

**Data Length in Bytes:** 2

**Data Format:** L11

**Type:** R/W Word

**Default Value:** D3A0h (14.5V)

**Units:** V

**Range:** 0 to 16V

## VIN\_OV\_FAULT\_RESPONSE (56h)

**Definition:** Configures the VIN overvoltage fault response. The delay time is the time between restart attempts.

**Data Length in Bytes:** 1

**Data Format:** BIT

**Type:** R/W Byte

**Default Value:** 80h (Disable and no retry)

**Units:**

BIT	FIELD NAME	VALUE	DESCRIPTION
7:6	Response Behavior: Sets the related fault bit in the status registers. Fault bits are only cleared by the CLEAR_FAULTS command.	00	Continuous operation (Ignore fault)
		01	Delay, Disable and Retry Delay time is specified by bits [2:0] and retry attempt is specified in bits [5:3].
		10	Disable and Retry according to the setting in bits [5:3].
		11	Output is disabled while the fault is present. Output is enabled when the fault condition no longer exists.
5:3	Retry Setting	000	No Retry. The output remains disabled until the device is restarted.
		001-110	The PMBus device attempts to restart the number of times set by these bits. The time between the start is set by the value in bits [2:0].
		111	Attempts to restart continuously, without checking if the fault is still present, until it is disabled, bias power is removed, or another fault condition causes the unit to shut down.
2:0	Retry and Delay Time	000-111	This time count is used for both the amount of time between retry attempts and for the amount of time a rail is to delay its response after a fault is detected. The retry time and delay time units are defined by the type of fault within each device.



## VIN\_OV\_WARN\_LIMIT (57h)

**Definition:** Sets the VIN overvoltage warning threshold. In response to the VIN\_OV\_WARN\_LIMIT being exceeded, the device sets the NONE OF THE ABOVE and INPUT bits in STATUS\_WORD, sets the VIN\_OV\_WARNING bit in STATUS\_INPUT, and notifies the host.

**Data Length in Bytes:** 2

**Data Format:** L11.

**Type:** R/W Word

**Default Value:** D34Dh (13.2V)

**Units:** V

**Range:** 0 to 19V

## VIN\_UV\_WARN\_LIMIT (58h)

**Definition:** Sets the VIN undervoltage warning threshold. If a VIN\_UV\_FAULT occurs, the input voltage must rise above VIN\_UV\_WARN\_LIMIT to clear the fault, which provides hysteresis to the fault threshold. In response to the UV\_WARN\_LIMIT being exceeded, the device sets the NONE OF THE ABOVE and INPUT bits in STATUS\_WORD, sets the VIN\_UV\_WARNING bit in STATUS\_INPUT, and notifies the host.

**Data Length in Bytes:** 2

**Data Format:** L11.

**Type:** R/W Word

**Default Value:** CA30h (4.38V)

**Units:** V

**Range:** 0 to 19V

## VIN\_UV\_FAULT\_LIMIT (59h)

**Definition:** Sets the VIN undervoltage fault threshold.

**Data Length in Bytes:** 2

**Data Format:** L11

**Type:** R/W Word

**Default Value:** CA00h (4V)

**Units:** V

**Range:** 0 to 12V

## VIN\_UV\_FAULT\_RESPONSE (5Ah)

**Definition:** Configures the VIN undervoltage fault response. The delay time is the time between restart attempts.

**Data Length in Bytes:** 1

**Data Format:** BIT

**Type:** R/W Byte

**Default Value:** 80h (Disable and no retry)

**Units:**

BIT	FIELD NAME	VALUE	DESCRIPTION
7:6	Response Behavior: Sets the related fault bit in the status registers. Fault bits are only cleared by the CLEAR_FAULTS command.	00	Continuous operation (Ignore fault)
		01	Delay, Disable and Retry Delay time is specified by bits [2:0] and retry attempt is specified in bits [5:3].
		10	Disable and Retry according to the setting in bits [5:3].
		11	Output is disabled while the fault is present. Output is enabled when the fault condition no longer exists.
5:3	Retry Setting	000	No Retry. The output remains disabled until the device is restarted.
		001-110	The PMBus device attempts to restart the number of times set by these bits. The time between the start is set by the value in bits [2:0].
		111	Attempts to restart continuously, without checking if the fault is still present, until it is disabled, bias power is removed, or another fault condition causes the unit to shut down.
2:0	Retry and Delay Time	000-111	This time count is used for both the amount of time between retry attempts and for the amount of time a rail is to delay its response after a fault is detected. The retry time and delay time units are defined by the type of fault within each device.

## POWER\_GOOD\_ON (5Eh)

**Definition:** Sets the voltage threshold for Power-Good indication. Power-Good asserts when the output voltage exceeds POWER\_GOOD\_ON and de-asserts when the output voltage is less than VOUT\_UV\_FAULT\_LIMIT.

**Data Length in Bytes:** 2

**Data Format:** L16u

**Type:** R/W Word

**Default Value:** 0.9 x VOUT\_COMMAND pin strap setting

**Units:** V

## TON\_DELAY (60h)

**Definition:** Sets the delay time from when the device is enabled to the start of VOUT rise.

**Data Length in Bytes:** 2

**Data Format:** L11

**Type:** R/W Word

**Default Value:** CA80h (5ms)

**Units:** ms

**Range:** 0 to 500s

## TON\_RISE (61h)

**Definition:** Sets the rise time of VOUT after ENABLE and TON\_DELAY.

**Data Length in Bytes:** 2

**Data Format:** L11

**Type:** R/W Word

**Default Value:** D280h (10ms)

**Units:** ms

**Range:** 0 to 200ms

## TOFF\_DELAY (64h)

**Definition:** Sets the delay time from DISABLE to start of VOUT fall.

**Data Length in Bytes:** 2

**Data Format:** L11

**Type:** R/W Word

**Default Value:** CA80h (5ms)

**Units:** ms

**Range:** 0 to 500s

## TOFF\_FALL (65h)

**Definition:** Sets the fall time for VOUT after DISABLE and TOFF\_DELAY.

**Data Length in Bytes:** 2

**Data Format:** L11

**Type:** R/W Word

**Default Value:** D280h (10ms)

**Units:** ms

**Range:** 0 to 200ms

## STATUS\_BYTE (78h)

**Definition:** The STATUS\_BYTE command returns one byte of information with a summary of the most critical faults.

**Data Length in Bytes:** 1

**Data Format:** BIT

**Type:** Read Only

**Default Value:** 00h

**Units:** N/A

BIT NUMBER	STATUS BIT NAME	MEANING
7	BUSY	A fault was declared because the device was busy and unable to respond.
6	OFF	This bit is asserted if the unit is not providing power to the output, regardless of the reason, including simply not being enabled.
5	VOUT_OV_FAULT	An output overvoltage fault has occurred.
4	IOUT_OC_FAULT	An output overcurrent fault has occurred.

# ZL9117M

BIT NUMBER	STATUS BIT NAME	MEANING
3	VIN_UV_FAULT	An input undervoltage fault has occurred.
2	TEMPERATURE	A temperature fault or warning has occurred.
1	CML	A communications, memory or logic fault has occurred.
0	NONE OF THE ABOVE	A fault or warning not listed in bits 7:1 has occurred.

## STATUS\_WORD (79h)

**Definition:** The STATUS\_WORD command returns two bytes of information with a summary of the unit's fault condition. Based on the information in these bytes, the host can get more information by reading the appropriate status registers. The low byte of the STATUS\_WORD is the same register as the STATUS\_BYTE (78h) command.

**Data Length in Bytes:** 2

**Data Format:** BIT

**Type:** Read Only

**Default Value:** 0000h

**Units:** N/A

BIT NUMBER	STATUS BIT NAME	MEANING
15	VOUT	An output voltage fault or warning has occurred.
14	IOUT/POUT	An output current or output power fault or warning has occurred.
13	INPUT	An input voltage, input current, or input power fault or warning has occurred.
12	MFG_SPECIFIC	A manufacturer specific fault or warning has occurred.
11	POWER_GOOD#	The POWER_GOOD signal, if present, is negated. (1)
10	FANS	A fan or airflow fault or warning has occurred.
9	OTHER	A bit in STATUS_OTHER is set.
8	UNKNOWN	A fault type not given in bits 15:1 of the STATUS_WORD has been detected.
7	BUSY	A fault was declared because the device was busy and unable to respond.
6	OFF	This bit is asserted if the unit is not providing power to the output, regardless of the reason, including simply not being enabled.
5	VOUT_OV_FAULT	An output overvoltage fault has occurred.
4	IOUT_OC_FAULT	An output overcurrent fault has occurred.
3	VIN_UV_FAULT	An input undervoltage fault has occurred.
2	TEMPERATURE	A temperature fault or warning has occurred.
1	CML	A communications, memory or logic fault has occurred.
0	NONE OF THE ABOVE	A fault or warning not listed in bits 7:1 has occurred.

## STATUS\_VOUT (7Ah)

**Definition:** The STATUS\_VOUT command returns one data byte with the status of the output voltage.

**Data Length in Bytes:** 1

**Data Format:** BIT

**Type:** Read Only

**Default Value:** 00h

**Units:** N/A

BIT NUMBER	STATUS BIT NAME	MEANING
7	VOUT_OV_FAULT	Indicates an output overvoltage fault.
6	VOUT_OV_WARNING	Indicates an output overvoltage warning.
5	VOUT_UV_WARNING	Indicates an output undervoltage warning.
4	VOUT_UV_FAULT	Indicates an output undervoltage fault.
3:0	N/A	These bits are not used.

# ZL9117M

## STATUS\_IOUT (7Bh)

**Definition:** The STATUS\_IOUT command returns one data byte with the status of the output current.

**Data Length in Bytes:** 1

**Data Format:** BIT

**Type:** Read Only

**Default Value:** 00h

**Units:** N/A

BIT NUMBER	STATUS BIT NAME	MEANING
7	IOUT_OC_FAULT	An output overcurrent fault has occurred.
6	IOUT_OC_LV_FAULT	An output overcurrent and low voltage fault has occurred.
5	IOUT_OC_WARNING (not used)	Reserved
4	IOUT_UC_FAULT	An output undercurrent fault has occurred.
3:0	N/A	These bits are not used.

## STATUS\_INPUT (7Ch)

**Definition:** The STATUS\_INPUT command returns input voltage and input current status information.

**Data Length in Bytes:** 1

**Data Format:** BIT

**Type:** Read Only

**Default Value:** 00h

**Units:** N/A

BIT NUMBER	STATUS BIT NAME	MEANING
7	VIN_OV_FAULT	An input overvoltage fault has occurred.
6	VIN_OV_WARNING	An input overvoltage warning has occurred.
5	VIN_UV_WARNING	An input undervoltage warning has occurred.
4	VIN_UV_FAULT	An input undervoltage fault has occurred.
3:0	N/A	These bits are not used.

## STATUS\_TEMPERATURE (7Dh)

**Definition:** The STATUS\_TEMP command returns one byte of information with a summary of any temperature related faults or warnings.

**Data Length in Bytes:** 1

**Data Format:** BIT

**Type:** Read Only

**Default Value:** 00h

**Units:** N/A

BIT NUMBER	STATUS BIT NAME	MEANING
7	OT_FAULT	An over-temperature fault has occurred.
6	OT_WARNING	An over-temperature warning has occurred.
5	UT_WARNING	An under-temperature warning has occurred.
4	UT_FAULT	An under-temperature fault has occurred.
3:0	N/A	These bits are not used.

# ZL9117M

## STATUS\_CML (7Eh)

**Definition:** The STATUS\_WORD command returns one byte of information with a summary of any Communications, Logic and/or Memory errors.

**Data Length in Bytes:** 1

**Data Format:** BIT

**Type:** Read Only

**Default Value:** 00h

**Units:** N/A

BIT NUMBER	MEANING
7	Invalid or unsupported PMBus™ Command was received.
6	The PMBus™ command was sent with Invalid or Unsupported data.
5	A packet error was detected in the PMBus™ command.
4:2	Not Used
1	A PMBus™ command tried to write to a read-only or protected command, or a communication fault other than the ones listed in this table has occurred.
0	Not Used

## STATUS\_MFR\_SPECIFIC (80h)

**Definition:** The STATUS\_MFR\_SPECIFIC command returns one byte of information providing the status of the device's voltage monitoring and clock synchronization faults. VDRV OV/UV warnings are set at +/-10% of the VMON\_OV\_FAULT/VMON\_UV\_FAULT commands.

**Data Length in Bytes:** 1

**Data Format:** BIT

**Type:** Read Only

**Default value:** 00h

**Units:** N/A

BIT NUMBER	FIELD NAME	MEANING
7:6	Reserved	
5	VDRV UV Warning	The voltage on the VMON pin has dropped 10% below the level set by MFR_VMON_UV_FAULT_LIMIT.
4	VDRV OV Warning	The voltage on the VMON pin has risen 10% above the level set by MFR_VMON_OV_FAULT_LIMIT.
3	External Switching Period Fault	Loss of external clock synchronization has occurred.
2	Reserved	
1	VDRV UV Fault	The voltage on the VMON pin has dropped below the level set by MFR_VMON_UV_FAULT_LIMIT.
0	VDRV OV Fault	The voltage on the VMON pin has risen above the level set by MFR_VMON_OV_FAULT_LIMIT.

## READ\_VIN (88h)

**Definition:** Returns the input voltage reading.

**Data Length in Bytes:** 2

**Data Format:** L11

**Type:** Read Only

**Units:** V

## READ\_VOUT (8Bh)

**Definition:** Returns the output voltage reading.

**Data Length in Bytes:** 2

**Data Format:** L16u

**Type:** Read Only

**Units:** V

## **READ\_IOUT (8Ch)**

**Definition:** Returns the output current reading.

**Data Length in Bytes:** 2

**Data Format:** L11

**Type:** Read Only

**Default Value:** N/A

**Units:** A

## **READ\_TEMPERATURE\_1 (8Dh)**

**Definition:** Returns the controller junction temperature reading from internal temperature sensor.

**Data Length in Bytes:** 2

**Data Format:** L11

**Type:** Read Only

**Units:** °C

## **READ\_DUTY\_CYCLE (94h)**

**Definition:** Reports the actual duty cycle of the converter during the enable state.

**Data Length in Bytes:** 2

**Data Format:** L11

**Type:** Read Only

**Units:**%

## **READ\_FREQUENCY (95h)**

**Definition:** Reports the actual switching frequency of the converter during the enable state.

**Data Length in Bytes:** 2

**Data Format:** L11

**Type:** Read Only

**Units:** kHz

## **PMBUS\_REVISION (98h)**

**Definition:** Returns the revision of the PMBus implemented in the device.

**Data Length in Bytes:** 1

**Data Format:** HEX

**Type:** Read Only

**Units:** N/A

## **MFR\_ID (99h)**

**Definition:** MFR\_ID sets user defined identification. The sum total of characters in MFR\_ID, MFR\_MODEL, MFR\_REVISION, MFR\_LOCATION, MFR\_DATE, MFR\_SERIAL and USER\_DATA\_00 plus one byte per command cannot exceed 128 characters. This limitation includes multiple writes of this command before a STORE command. To clear multiple writes, perform a RESTORE, write this command then perform a STORE/RESTORE.

**Data Length in Bytes:** user defined

**Data Format:** ASC

**Type:** Block R/W

**Default Value:** null

**Units:** N/A

## **MFR\_MODEL (9Ah)**

**Definition:** MFR\_MODEL sets a user defined model. The sum total of characters in MFR\_ID, MFR\_MODEL, MFR\_REVISION, MFR\_LOCATION, MFR\_DATE, MFR\_SERIAL and USER\_DATA\_00 plus one byte per command cannot exceed 128 characters. This limitation includes multiple writes of this command before a STORE command. To clear multiple writes, perform a RESTORE, write this command then perform a STORE/RESTORE.

**Data Length in Bytes:** user defined

**Data Format:** ASC

**Type:** Block R/W

**Default Value:** null

**Units:** N/A

## **MFR\_REVISION (9Bh)**

**Definition:** MFR\_REVISION sets a user defined revision. The sum total of characters in MFR\_ID, MFR\_MODEL, MFR\_REVISION, MFR\_LOCATION, MFR\_DATE, MFR\_SERIAL and USER\_DATA\_00 plus one byte per command cannot exceed 128 characters. This limitation includes multiple writes of this command before a STORE command. To clear multiple writes, perform a RESTORE, write this command then perform a STORE/RESTORE.

**Data Length in Bytes:** user defined

**Data Format:** ASC

**Type:** Block R/W

**Default Value:** null

**Units:** N/A

## **MFR\_LOCATION (9Ch)**

**Definition:** MFR\_LOCATION sets a user defined location identifier. The sum total of characters in MFR\_ID, MFR\_MODEL, MFR\_REVISION, MFR\_LOCATION, MFR\_DATE, MFR\_SERIAL and USER\_DATA\_00 plus one byte per command cannot exceed 128 characters. This limitation includes multiple writes of this command before a STORE command. To clear multiple writes, perform a RESTORE, write this command then perform a STORE/RESTORE.

**Data Length in Bytes:** user defined

**Data Format:** ASC

**Type:** Block R/W

**Default Value:** null

**Units:** N/A

## **MFR\_DATE (9Dh)**

**Definition:** MFR\_DATE sets a user defined date. The sum total of characters in MFR\_ID, MFR\_MODEL, MFR\_REVISION, MFR\_LOCATION, MFR\_DATE, MFR\_SERIAL and USER\_DATA\_00 plus one byte per command cannot exceed 128 characters. This limitation includes multiple writes of this command before a STORE command. To clear multiple writes, perform a RESTORE, write this command then perform a STORE/RESTORE.

**Data Length in Bytes:** user defined

**Data Format:** ASC

**Type:** Block R/W

**Default Value:** null

**Units:** N/A

## **MFR\_SERIAL (9Eh)**

**Definition:** MFR\_SERIAL sets a user defined serialized identifier. The sum total of characters in MFR\_ID, MFR\_MODEL, MFR\_REVISION, MFR\_LOCATION, MFR\_DATE, MFR\_SERIAL and USER\_DATA\_00 plus one byte per command cannot exceed 128 characters. This limitation includes multiple writes of this command before a STORE command. To clear multiple writes, perform a RESTORE, write this command then perform a STORE/RESTORE.

**Data Length in Bytes:** user defined

**Data Format:** ASC

**Type:** Block R/W

**Default Value:** null

**Units:** N/A

## **USER\_DATA\_00 (B0h)**

**Definition:** USER\_DATA\_00 sets a user defined data. The sum total of characters in MFR\_ID, MFR\_MODEL, MFR\_REVISION, MFR\_LOCATION, MFR\_DATE, MFR\_SERIAL and USER\_DATA\_00 plus one byte per command cannot exceed 128 characters. This limitation includes multiple writes of this command before a STORE command. To clear multiple writes, perform a RESTORE, write this command then perform a STORE/RESTORE.

**Data Length in Bytes:** user defined

**Data Format:** ASCII

**Type:** Block R/W

**Default Value:** null

**Units:** N/A

# ZL9117M

## AUTO\_COMP\_CONFIG (BCh)

**Definition:** Controls configuration of Auto Compensation features.

**Data Length in Bytes:** 1

**Data Format:** CUS

**Type:** R/W Byte

**Default Value:** 69h (Auto Comp Once, Do not store results, PG assertion after Auto Comp, and Gain = 70%)

**Units:** N/A

BITS	PURPOSE	VALUE	DESCRIPTION
7:4	Auto Comp Gain Percentage	G	Scale the Gain of the Auto-Compensation results by a factor of $(G+1)*10\%$ , where $0 \leq G \leq 9$ . G = 0 yields lowest jitter; G = 9 yields tightest transient response.
3	Power Good Assertion	0	Use PG_DELAY
		1	Assert PG after Auto Comp completes
2	Auto Comp Store	0	Do not store Auto Comp results
		1	Store Auto Comp results for use on future ramps
1:0	Auto Comp Mode	0	Off (Disabled). Compensation stored in PID_TAPS will be used.
		1	Once (results are storable)
		2	Repeat every ~1 second (only the first results are storable)
		3	Repeat every ~1 minute (only the first results are storable)

## AUTO\_COMP\_CONTROL (BDh)

**Definition:** Causes the Auto Comp algorithm to initiate when the Auto Comp feature is enabled in AUTO\_COMP\_CONFIG.

**Data Length in Bytes:** 0

**Data Format:** BIT

**Type:** Send Byte

**Default Value:**

**Units:** N/A

## DEADTIME\_MAX (BFh)

**Definition:** Sets the maximum dead time value for the PWMH and PWML outputs. This limit applies during frozen or adaptive dead time algorithm modes (see DEADTIME\_CONFIG).

**Data Length in Bytes:** 2

**Data Format:** CUS

**Type:** R/W Word

**Default Value:** 3838h (56ns/56ns)

**Units:** ns

**Range:** 0 to 60ns

BITS	PURPOSE	VALUE	DESCRIPTION
15	Not Used	0	Not Used
14:8	Sets the maximum H-to-L dead time	H	Limits the maximum allowed H-to-L dead time when using the adaptive dead time algorithm. dead time = Hns (signed)
7	Not Used	0	Not Used
6:0	Sets the maximum L-to-H dead time	L	Limits the maximum allowed L-to-H dead time when using the adaptive dead time algorithm. dead time = Lns (signed)



# ZL9117M

## MFR\_CONFIG (D0h)

**Definition:** Configures several manufacturer-level features.

**Data Length in Bytes:** 2

**Data Format:** BIT

**Type:** R/W Word

**Default Value:** 6A11h (416ns, 5 Count, Down Slope, NLR wait for PG, PG Open Drain, Sync Push-Pull)

**Units:** N/A

BITS	PURPOSE	VALUE	DESCRIPTION
15:11	Current Sense Blanking Delay	D	Sets the delay, D, in 32ns steps
10:8	Current Sense Fault Count	C	Sets the number of consecutive OC or UC violations required for a fault to 2C+1.
7:6	Reserved		
5:4	Current Sense Control	00	Current sense uses GND-referenced, down-slope sense
		01	Current sense uses VOUT-referenced, down-slope sensing
		10	Current sense uses VOUT-referenced, up-slope sensing
		11	Reserved
3	NLR During Ramp	0	Wait for PG
		1	Always on
2	Alternate Ramp Control	0	Alternate Ramp Disabled
		1	Alternate Ramp Enabled
1	PG Pin Output Control	0	PG is open-drain
		1	PG is push-pull
0	SYNC Pin Output Control	0	SYNC is open-drain
		1	SYNC is push-pull

## USER\_CONFIG (D1h)

**Definition:** Configures several user-level features.

**Data Length in Bytes:** 2

**Data Format:** BIT

**Type:** R/W Word

**Default Value:** 2011h (Min Duty Enabled =  $1 * T_{sw}/256$ , PID feed forward correct for VDD, Ignore Fault spread, Clock SYNC pin strap mode, use internal clock, Lowside MOSFET off when disabled, Monitor mode enabled)

**Units:** N/A

BITS	PURPOSE	VALUE	DESCRIPTION
15:14	Minimum Duty Cycle	N	Sets the minimum duty cycle $((N+1)/(2^8))$ during a ramp when "Minimum Duty Cycle" (Bit 13) is enabled. For example, if Minimum Duty Cycle input N is set to 3, the minimum duty cycle is $(3+1)/(2^8) = (1/64)$ .
13	Minimum Duty Cycle Control	0	Minimum Duty Cycle is Disabled
		1	Minimum Duty Cycle is Enabled
12	Reserved	0	
11	SYNC Time-out Enable	0	SYNC output remains on after device is disabled
		1	SYNC turns off 500ms after device is disabled
10	Reserved	-	Reserved
9	PID Feed-Forward Control	0	PID Coefficients are corrected for VDD variation
		1	PID Coefficients are not corrected for VDD variations

# ZL9117M

BITS	PURPOSE	VALUE	DESCRIPTION
8	Fault Spreading Mode	0	If sequencing is disabled, this device will ignore faults from other devices. If sequencing is enabled, the devices will sequence down from the failed device outward.
		1	Faults received from any device selected by the DDC_GROUP command will cause this device to shut down immediately.
7	SMBus Transmit Clk Rate	0	* SMBus transmit is always disabled in DDC devices
6	SYNC Utilization Control	0	Auto-configure using the SYNC pin and FREQUENCY_SWITCH parameter
		1	Switch using the SYNC input
5	SYNC Output Control	0	Configure the SYNC pin as an input-only
		1	Drive the switch clock out of SYNC when using the internal oscillator
4	SMBus Transmit Inhibit	0	* SMBus transmit is always disabled in DDC devices
3	SMBus Timeout Inhibit	0	* SMBus transmit is always disabled in DDC devices
2	OFF Low-side Control	0	The low-side drive is off when device is disabled
		1	The low-side drive is on when device is disabled
1:0	Standby Mode	00	Enter low-power mode when device is disabled (no READ_xxxx data available)
		01	Monitor for faults when device is disabled (READ_xxxx data available)
		10	Reserved
		11	Monitor for faults using pulsed mode. (READ_xxxx data available upon read command)

## ISHARE\_CONFIG (D2h)

**Definition:** Configures the device for current sharing communication over the DDC bus.

**Data Length in Bytes:** 2

**Data Format:** BIT

**Type:** R/W Word

**Default Value:** 0000h (Device configured to operate in signal phase mode)

**Units:**

BITS	PURPOSE	VALUE	DESCRIPTION
15:8	IShare DDC ID	0 to 31 (0x00 to 0x1F)	Sets the current share rail's DDC ID for each device within a current share rail. Set to the same DDC ID as in DDC_CONFIG. This DDC ID is used for sequencing and fault spreading when used in a current share rail.
7:5	Number of Members	0 to 7	Number of devices in current share rail -1. Example: 3 device current share rail, use 3 - 1 = 2
4:2	Member Position	0 to 7	Position of device within current share rail
1	Reserved	0	Reserved
0	I-Share Control	1	Device is a member of a current share rail
		0	Device is not a member of a current share rail

## DDC\_CONFIG (D3h)

**Definition:** Configures the DDC bus.

**Data Length in Bytes:** 2

**Data Format:** BIT

**Type:** R/W Word

**Default Value:** 5 bit LSB of SMBus address

**Units:**

# ZL9117M

BITS	PURPOSE	VALUE	DESCRIPTION
15:13	Reserved	0	Reserved
12:8	Broadcast Group	0 to 31	Group number used for broadcast events. (i.e., Broadcast Enable and Broadcast Margin) Set this number to the same value for all rails/devices that should respond to each other's broadcasted event. This function is enabled by the bits 15 and 14 in the MISC_CONFIG command.
7:6	Reserved	0	Reserved
5	DDC TX Inhibit	1	DDC Transmission Inhibited
		0	DDC Transmission Enabled
4:0	DDC ID	0 to 31	Sets the rail's DDC ID for sequencing and fault spreading. For the current-sharing applications, set this value the same as the ID value in ISHARE_CONFIG for all devices in the current sharing rail.

## POWER\_GOOD\_DELAY (D4h)

**Definition:** Sets the delay applied between the output exceeding the PG threshold (POWER\_GOOD\_ON) and asserting the PG pin. The delay time can range from 0ms up to 500s, in steps of 125ns. A 1ms minimum configured value is recommended to apply proper de-bounce to this signal.

**Data Length in Bytes:** 2

**Data Format:** L11

**Type:** R/W Word

**Default Value:** BA00h (1ms)

**Units:** ms

**Range:** 0 to 5s

## PID\_TAPS (D5h)

**Definition:** Configures the control loop compensator coefficients.

The PID algorithm implements the following Z-domain function in Equation 8:

$$\frac{A + Bz^{-1} + Cz^{-2}}{1 - z^{-1}} \quad (\text{EQ. 8})$$

The coefficients A, B, and C are represented using a pseudo-floating point format similar to the V<sub>OUT</sub> parameters (with the addition of a sign bit), defined as Equation 9:

$$A = (-1)^S \cdot 2^E \cdot M \quad (\text{EQ. 9})$$

where M is a two-byte unsigned mantissa, S is a sign-bit, and E is a 7-bit two's-complement signed integer. The 9-byte data field is defined in the table below. S is stored as the MSB of the E byte

**Data Length in Bytes:** 9

**Data Format:** CUS

**Type:** R/W

**Default Value:** Auto Comp stores when algorithm is initiated during start up. When Auto Comp is disabled PID\_TAPS can be stored via PMBus.

**Units:**

BYTE	PURPOSE	DEFINITION
8	Tap C - E	Coefficient C exponent + S
7	Tap C - M [15:8]	Coefficient C mantissa, high-byte
6	Tap C - M [7:0]	Coefficient C mantissa, low-byte
5	Tap B - E	Coefficient B exponent + S
4	Tap B - M [15:8]	Coefficient B mantissa, high-byte
3	Tap B - M [7:0]	Coefficient B mantissa, low-byte
2	Tap A - E	Coefficient A exponent + S
1	Tap A - M [15:8]	Coefficient A mantissa, high-byte
0	Tap A - M [7:0]	Coefficient A mantissa, low-byte

NOTE: Data bytes are transmitted on the PMBus in the order of Byte 0 through Byte 8.

# ZL9117M

## INDUCTOR (D6h)

**Definition:** Informs the device of the circuit's inductor value. This is used in adaptive algorithm calculations relating to the inductor ripple current.

**Data Length in Bytes:** 2

**Data Format:** L11.

**Type:** R/W Word

**Default Value:** B0E1h (0.22  $\mu$ H)

**Units:**  $\mu$ H

## NLR\_CONFIG(D7h)

**Definition:** Configures the non-linear response control parameters.

**Data Length in Bytes:** 4

**Data Format:** BIT

**Type:** R/W

**Default Value:** 00000000h

**Units:**

BITS	PURPOSE	VALUE	DESCRIPTION
31:30	Outer threshold multiplier	O	Sets multiplier of inner threshold for outer threshold setting, $O*LI$ and $O*UI$
29:27	NLR comparator threshold: Loading-Inner	LI	Sets inner threshold for a loading event to $\sim 0.5%*(LI+1)*V_{OUT}$
26:24	NLR comparator threshold: Unloading-Inner	UI	Sets inner threshold for an unloading event to $\sim 0.5%*(UI+1)*V_{OUT}$
23:20	Loading-Outer threshold max correction time	LOT	Sets outer threshold, maximum correction time for a loading event to $LOT*t_{SW}/64$ (s)
19:16	Loading-Inner threshold max correction time	LIT	Sets inner threshold, maximum correction time for a loading event to $LIT*t_{SW}/64$ (s)
15:12	Unloading-Outer threshold max correction time	UOT	Sets outer threshold, maximum correction time for an unloading event to $UOT*t_{SW}/64$ (s)
11:8	Unloading-Inner threshold max correction time	UIT	Sets inner threshold, maximum correction time for an unloading event to $UIT*t_{SW}/64$ (s)
7:4	Load Blanking time control	LB	Sets NLR blanking time for a loading event.
3:0	Unload Blanking time control	UB	Sets NLR blanking time for an unloading event.

**TABLE 6. LOADING/UNLOADING BLANKING TIMES**

LB OR UB	0	1	2	3	4	5	6	7	8	9	10	11	12	13	14	15
$t_{SW}/64$ UNITS	1	2	3	5	9	17	33	49	65	81	97	129	161	177	193	225

## OVUV\_CONFIG (D8h)

**Definition:** Configures the output voltage OV and UV fault detection feature. The default value of 00h is recommended.

**Data Length in Bytes:** 1

**Data Format:** Bit

**Type:** R/W Byte

**Default Value:** 00h (One violation trigger VOUT fault, OV fault does not enable low-side power device)

**Units:** N/A

BITS	PURPOSE	VALUE	DESCRIPTION
7	Controls how an OV fault response shutdown sets the output driver state	0	An OV fault does not enable low-side power device
		1	An OV fault enables the low-side power device
6:4	Not Used	0	Not Used
3:0	Defines the number of consecutive limit violations required to declare an OV or UV fault	N	N+1 consecutive OV or UV violations initiate a fault response

# ZL9117M

## TEMPCO\_CONFIG (DCh)

**Definition:** Configures the correction factor and temperature measurement source when performing temperature coefficient correction for current sense. TEMPCO\_CONFIG values are applied as negative correction to a positive temperature coefficient.

**Data Length in Bytes:** 1

**Data Format:** CUS

**Type:** R/W Byte

**Protectable:** Yes

**Default Value:** 2Ch (4400ppm/°C)

**Equation:** To determine the hex value of the Tempco Correction factor (TC) for current scale of a power stage current sensing, first determine the temperature coefficient of resistance for the sensing element,  $\alpha$ . This is found with the following equation:

$$\alpha = \frac{R_{REF} - R}{R_{REF}(T_{REF} - T)}$$

Where:

R = Sensing element resistance at temperature "T"

R<sub>REF</sub> = Sensing element resistance at reference temperature T<sub>REF</sub>

$\alpha$  = Temperature coefficient of resistance for the sensing element material

T = Temperature measured by temperature sensor, in °C

T<sub>REF</sub> = Reference temperature that  $\alpha$  is specified at for the sensing element material

After  $\alpha$  is determined, convert the value in units of 100ppm/°C. This value is then converted to a hex value with the following equation:

$$TC = \frac{\alpha \times 10^6}{100}$$

**Typical Values:** Copper = 3900ppm/°C (27h), silicon = 4800ppm/°C (30h)

**Range:** 0 to 6300ppm/°C

BITS	PURPOSE	VALUE	DESCRIPTION
7	Selects the temp sensor source for tempco correction	0	Selects the internal temperature sensor
6:0	Sets the tempco correction in units of 100ppm/°C for IOUT_CAL_GAIN	TC	RSEN (DCR) = IOUT_CAL_GAIN x (1+TC x (T-25)) where RSEN = resistance of sense element

## DEADTIME (DDh)

**Definition:** Sets the non-overlap between PWM transitions using a 2-byte data field. The most significant byte controls the high side to low side dead time value as a single 2's-complement signed value in units of ns. The least-significant byte controls the low side to high side dead time value. Positive values imply a non-overlap of the FET drive on-times. Negative values imply an overlap of the FET drive on-times. The device will operate at the dead time values written to this command when adaptive dead time is disabled, between the minimum dead time specified in DEADTIME\_CONFIG and the maximum dead time specified in DEADTIME\_MAX. When switching from adaptive dead time mode to frozen mode (by writing to bit 15 of DEADTIME\_CONFIG) the frozen dead time will be whatever the last dead time was before the device switches to frozen dead time mode.

**Data Length in Bytes:** 2

**Data Format:** CUS

**Type:** R/W Word

**Default Value:** 1018h (H-L = 16ns, L-H = 24ns)

**Units:** ns

**Range:** -15ns to 60ns

## DEADTIME\_CONFIG (DEh)

**Definition:** Configures the adaptive dead time optimization mode. Also sets the minimum dead time value for the adaptive dead time mode range.

**Data Length in Bytes:** 2

**Data Format:** CUS

**Type:** R/W Word

**Default Value:** 8686h (Adaptive dead time disabled)

**Units:** N/A

# ZL9117M

BITS	PURPOSE	VALUE	DESCRIPTION
15	Sets the high to low transition dead time mode	0	Adaptive H-to-L dead time control
		1	Freeze the H-to-L dead time
14:8	Sets the minimum H-to-L dead time	0-126d	Limits the minimum allowed H-to-L dead time when using the adaptive dead time algorithm (2ns resolution)
7	Sets the low to high transition dead time mode	0	Adaptive L-to-H dead time control
		1	Freeze the L-to-H dead time
6:0	Sets the minimum L-to-H dead time	0-126d	Limits the minimum allowed L-to-H dead time when using the adaptive dead time algorithm (2ns resolution)

## SEQUENCE (E0h)

**Definition:** Identifies the Rail DDC ID of the prequel and sequel rails when performing multi-rail sequencing. The device will enable its output when its EN or OPERATION enable state, as defined by ON\_OFF\_CONFIG, is set and the prequel device has issued a Power-Good event on the DDC bus. The device will disable its output (using the programmed delay values) when the sequel device has issued a Power-Down event on the DDC bus.

The data field is a two-byte value. The most-significant byte contains the 5-bit Rail DDC ID of the prequel device. The least-significant byte contains the 5-bit Rail DDC ID of the sequel device. The most significant bit of each byte contains the enable of the prequel or sequel mode. This command overrides the corresponding sequence configuration set by the CONFIG pin settings.

**Data Length in Bytes:** 2

**Data Format:** BIT

**Type:** R/W Word

**Default Value:** 0000h (Prequel and Sequel disabled)

BIT	FIELD NAME	VALUE	SETTING	DESCRIPTION
15	Prequel Enable	0	Disable	Disable, no prequel preceding this rail.
		1	Enable	Enable, prequel to this rail is defined by bits 12:8.
14:13	Reserved	0	Reserved	Reserved.
12:8	Prequel Rail DDC ID	0-31	DDC ID	Set to the DDC ID of the prequel rail.
7	Sequel Enable	0	Disable	Disable, no sequel following this rail.
		1	Enable	Enable, sequel to this rail is defined by bits 4:0.
6:5	Reserved	0	Reserved	Reserved.
4:0	Sequel Rail DDC ID	0-31	DDC ID	Set to the DDC ID of the sequel rail.

## TRACK\_CONFIG (E1h)

**Definition:** Configures the voltage tracking modes of the device.

**Data Length in Bytes:** 1

**Data Format:** BIT

**Type:** R/W Byte

**Default Value:** 00h (Tracking Disabled)

BIT	FIELD NAME	VALUE	SETTING	DESCRIPTION
7	Voltage Tracking Control	0	Disable	Tracking is Disabled.
		1	Enable	Tracking is Enabled.
6:3	Reserved		Reserved	Reserved.
2	Tracking Ratio Control	0	100%	Output Tracks at 100% ratio of VTRK input.
		1	50%	Output Tracks at 50% ratio of VTRK input.
1	Tracking Upper Limit	0	Target Voltage	Output Voltage is Limited by Target Voltage.
		1	VTRK Voltage	Output Voltage is Limited by VTRK Voltage.
0	Ramp-Up Behavior	0	Track after PG	The output is not allowed to track VTRK down before power-good.
		1	Track always	The output is allowed to track VTRK down before power-good.

# ZL9117M

## DDC\_GROUP (E2h)

**Definition:** This command sets which rail DDC IDs a device should listen to for fault spreading information. A device can follow multiple DDC ID rails. Example is provided in following table.

DDC ID	Configuration	DDC_GROUP	DESCRIPTION
0	3xZL9117M Current sharing	0000000Ah	This rail will listen to Rail-1 and Rail-3
1	2xZL9117M Current sharing	00000004h	This rail will listen to Rail-2
2	1xZL9117M Single Phase	00000000h	This rail will ignore fault spread
3	1xZL9117M Single Phase	00000002h	This rail will listen to Rail-1

Note: The device/rail's own DDC ID should not be set within the DDC\_GROUP command for that device/rail.

All devices in a current share rail must shutdown for the rail to report a shutdown.

If fault spread mode is enabled in USER\_CONFIG (Bit 8 set to 1), the device will immediately shut down if one of its DDC\_GROUP members fail. The device/rail will attempt its configured restart only after all devices/rails within the DDC\_GROUP have cleared their faults.

If fault spread mode is disabled in USER\_CONFIG (Bit 8 cleared to 0), the device will perform a sequenced shutdown as defined by the SEQUENCE command setting. The rails/devices in a sequencing set only attempt their configured restart after all faults have cleared within the DDC\_GROUP. If fault spread mode is disabled and sequencing is also disabled, the device will ignore faults from other devices and stay enabled.

**Data Length in Bytes:** 4

**Data Format:** BIT

**Type:** R/W

**Default Value:** 00000000h (Ignore fault spread)

## DEVICE\_ID (E4h)

**Definition:** Returns the 16-byte (character) device identifier string.

**Data Length in Bytes:** 16

**Data Format:** ASC

**Type:** Block Read

**Default Value:** Current Firmware revision

## MFR\_IOUT\_OC\_FAULT\_RESPONSE (E5h)

**Definition:** Configures the IOUT overcurrent fault response as defined by the table below. sets the overcurrent status bit in STATUS\_IOUT.

**Data Length in Bytes:** 1

**Data Format:** BIT

**Type:** R/W Byte

**Default Value:** 80h (Disable, and no retry)

**Units:**

BIT	FIELD NAME	VALUE	DESCRIPTION
7:6	Response Behavior: Sets the related fault bit in the status registers. Fault bits are only cleared by the CLEAR_FAULTS command.	00	Continuous operation (Ignore fault)
		01	Delay, Disable and Retry Delay time is specified by bits [2:0] and retry attempt is specified in bits [5:3].
		10	Disable and Retry according to the setting in bits [5:3].
		11	Output is disabled while the fault is present. Output is enabled when the fault condition no longer exists.
5:3	Retry Setting	000	No Retry. The output remains disabled until the device is restarted.
		001-110	The PMBus device attempts to restart the number of times set by these bits. The time between the start is set by the value in bits [2:0].
		111	Attempts to restart continuously, without checking if the fault is still present, until it is disabled, bias power is removed, or another fault condition causes the unit to shut down.
2:0	Retry and Delay Time	000-111	This time count is used for both the amount of time between retry attempts and for the amount of time a rail is to delay its response after a fault is detected. The retry time and delay time units are defined by the type of fault within each device.

# ZL9117M

## MFR\_IOUT\_UC\_FAULT\_RESPONSE (E6h)

**Definition:** Configures the IOUT undercurrent fault response as defined by the table below. Sets the undercurrent status bit in STATUS\_IOUT.

**Data Length in Bytes:** 1

**Data Format:** BIT

**Type:** R/W Byte

**Default Value:** 80h (Disable and no retry)

**Units:**

BIT	FIELD NAME	VALUE	DESCRIPTION
7:6	Response Behavior: Sets the related fault bit in the status registers. Fault bits are only cleared by the CLEAR_FAULTS command.	00	Continuous operation (Ignore fault)
		01	Delay, Disable and Retry Delay time is specified by bits [2:0] and retry attempt is specified in bits [5:3].
		10	Disable and Retry according to the setting in bits [5:3].
		11	Output is disabled while the fault is present. Output is enabled when the fault condition no longer exists.
5:3	Retry Setting	000	No Retry. The output remains disabled until the device is restarted.
		001-110	The PMBus device attempts to restart the number of times set by these bits. The time between the start is set by the value in bits [2:0].
		111	Attempts to restart continuously, without checking if the fault is still present, until it is disabled, bias power is removed, or another fault condition causes the unit to shut down.
2:0	Retry and Delay Time	000-111	This time count is used for both the amount of time between retry attempts and for the amount of time a rail is to delay its response after a fault is detected. The retry time and delay time units are defined by the type of fault within each device.

## IOUT\_AVG\_OC\_FAULT\_LIMIT (E7h)

**Definition:** Sets the IOUT average overcurrent fault threshold. For down-slope sensing, this corresponds to the average of all the current samples taken during the (1-D) time interval, excluding the Current Sense Blanking time (which occurs at the beginning of the 1-D interval). For up-slope sensing, this corresponds to the average of all the current samples taken during the D time interval, excluding the Current Sense Blanking time (which occurs at the beginning of the D interval). This feature shares the OC fault bit operation (in STATUS\_IOUT) and OC fault response with IOUT\_OC\_FAULT\_LIMIT.

**Data Length in Bytes:** 2

**Data Format:** L11

**Type:** R/W Word

**Default Value:** DB20h (25A)

**Units:** A

**Range:** -100 to 100A

## IOUT\_AVG\_UC\_FAULT\_LIMIT (E8h)

**Definition:** Sets the IOUT average undercurrent fault threshold. For down-slope sensing, this corresponds to the average of all the current samples taken during the (1-D) time interval, excluding the Current Sense Blanking time (which occurs at the beginning of the 1-D interval). For up-slope sensing, this corresponds to the average of all the current samples taken during the D time interval, excluding the Current Sense Blanking time (which occurs at the beginning of the D interval). This feature shares the UC fault bit operation (in STATUS\_IOUT) and UC fault response with IOUT\_UC\_FAULT\_LIMIT.

**Data Length in Bytes:** 2

**Data Format:** L11

**Type:** R/W Word

**Default Value:** DCE0h (-25A)

**Units:** A

**Range:** -100 to 100A



# ZL9117M

## MISC\_CONFIG (E9h)

**Definition:** Sets options pertaining to advanced features.

**Data Length In Bytes:** 2

**Data Format:** BIT

**Type:** R/W Word

**Default Value:** 0800h

**Units:**

BITS	PURPOSE	VALUE	DESCRIPTION
15	Broadcast Margin (see DDC_CONFIG)	0	Disabled
		1	Enabled
14	Broadcast Enable (see DDC_CONFIG)	0	Disabled
		1	Enabled
13:12	Reserved	00	Reserved
11:10	I-sense gain factor	00	DCR = 25mV
		01	DCR = 35mV
		10	DCR = 50mV
		11	Reserved
9:7	Reserved	000	Reserved
6	Diode Emulation	0	Disabled
		1	Enabled, enter diode emulation at light loads to improve efficiency
5:2	Reserved	0000	Reserved
1	Snapshot	0	Disabled
		1	Enabled
0	Reserved	0	Reserved

## SNAPSHOT (EAh)

**Definition:** The SNAPSHOT command is a 32-byte read-back of parametric and status values. It allows monitoring and status data to be stored to flash either during a fault condition or via a system-defined time using the SNAPSHOT\_CONTROL command. In case of a fault, last updated values are stored to the flash memory. Use SNAPSHOT\_CONTROL command to read stored values.

**Data Length In Bytes:** 32

**Data Format:** BIT

**Type:** Block Read

BYTE NUMBER	VALUE	PMBUS COMMAND	FORMAT
31:22	Reserved	Reserved	00h
21	Manufacturer Specific Status Byte	STATUS_MFR_SPECIFIC (80h)	Byte
20	CML Status Byte	STATUS_CML (7Eh)	Byte
19	Temperature Status Byte	STATUS_TEMPERATURE (7Dh)	Byte
18	Input Status Byte	STATUS_INPUT (7Ch)	Byte
17	Iout Status Byte	STATUS_IOUT (7Bh)	Byte
16	Vout Status Byte	STATUS_VOUT (7Ah)	Byte
15:14	Switching Frequency	READ_FREQUENCY (95h)	L11
13:12	External Temperature	READ_TEMPERATURE_2 (8Eh)	L11
11:10	Internal Temperature	READ_TEMPERATURE_1 (8Dh)	L11
9:8	Duty Cycle	READ_DUTY_CYCLE (94h)	L11
7:6	Peak Current	N/A	L11

# ZL9117M

BYTE NUMBER	VALUE	PMBUS COMMAND	FORMAT
5:4	Load Current	READ_IOUT (8Ch)	L11
3:2	VOUT	READ_VOUT (8Bh)	L16u
1:0	VIN	READ_VIN (88h)	L11

## BLANK\_PARAMS (EBh)

**Definition:** Returns a 16-byte string which indicates which parameter values were either retrieved by the last RESTORE operation or have been written since that time. Reading BLANK\_PARAMS immediately after a restore operation allows the user to determine which parameters are stored in that store. Index to read BLANK\_PARAM is provided in “PMBus Command Summary” on page 20. A one indicates the parameter is not present in the store and has not been written since the RESTORE operation.

**Data Length in Bytes:** 16

**Data Format:** BIT

**Type:** Default Value: FF...FFh

## PHASE\_CONTROL (F0h)

**Definition:** This command controls Phase adding/dropping when the device is setup for current sharing.

**Data Length in Bytes:** 1

**Data Format:** BIT

**Type:** R/W byte

VALUE	DESCRIPTION
00h	The device phase is disabled or dropped
01h	The device phase is active or added

## SNAPSHOT\_CONTROL (F3h)

**Definition:** Writing a 01 will cause the device to copy the current SNAPSHOT values from NVRAM to the 32-byte SNAPSHOT parameters. Writing a 02 will cause the device to write the current SNAPSHOT values to NVRAM. Read from NVRAM (writing a 01) does not work if SNAPSHOT is enabled in MISC\_CONFIG. To read from NVRAM, the device has to be disabled.

**Data Length in Bytes:** 1

**Data Format:** BIT

**Type:** R/W byte

VALUE	DESCRIPTION
01h	Move parametric and status values from Flash to the RAM
02h	Move latest parametric and status values from RAM to the Flash

## RESTORE\_FACTORY (F4h)

**Definition:** Restores the device to the hard-coded Factory default values and pin strap definitions. The device retains the DEFAULT and USER stores for restoring. Security level is changed to Level 1 following this command.

**Data Length in Bytes:** 0

**Data Format:** N/A

**Type:** Send Byte

**Default Value:** N/A

**Units:** N/A

## MFR\_VMON\_OV\_FAULT\_LIMIT (F5h)

**Definition:** Reads the VDRV OV fault threshold.

**Data Length in Bytes:** 2

**Data Format:** L11

**Type:** R/W Word

**Default Value:** CB80h (7V)

**Units:** V

**Range:** 0 to 19V

# ZL9117M

## MFR\_VMON\_UV\_FAULT\_LIMIT (F6h)

**Definition:** Reads the VDRV UV fault threshold

**Data Length in Bytes:** 2

**Data Format:** L11

**Type:** R/W Word

**Default Value:** CA40h (4.5V)

**Units:** V

**Range:** 0 to 19V

## MFR\_READ\_VMON (F7h)

**Definition:** Reads the VDRV voltage.

**Data Length in Bytes:** 2

**Data Format:** L11

**Type:** Read Word

**Default Value:** N/A

**Units:** V

## MFR\_VMON\_OV\_FAULT\_RESPONSE (F8h)

**Definition:** Configures the VDRV overvoltage fault response.

**Data Length in Bytes:** 1

**Data Format:** BIT

**Type:** R/W Byte

**Default Value:** 80h (Disable and no retry)

**Units:** N/A

BIT	FIELD NAME	VALUE	DESCRIPTION
7:6	Response Behavior: Sets the related fault bit in the status registers. Fault bits are only cleared by the CLEAR_FAULTS command.	00	Continuous operation (Ignore fault)
		01	Delay, Disable and Retry Delay time is specified by bits [2:0] and retry attempt is specified in bits [5:3].
		10	Disable and Retry according to the setting in bits [5:3].
		11	Output is disabled while the fault is present. Output is enabled when the fault condition no longer exists.
5:3	Retry Setting	000	No Retry. The output remains disabled until the device is restarted.
		001-110	The PMBus device attempts to restart the number of times set by these bits. The time between the start is set by the value in bits [2:0].
		111	Attempts to restart continuously, without checking if the fault is still present, until it is disabled, bias power is removed, or another fault condition causes the unit to shut down.
2:0	Retry and Delay Time	000-111	This time count is used for both the amount of time between retry attempts and for the amount of time a rail is to delay its response after a fault is detected. The retry time and delay time units are defined by the type of fault within each device.

## MFR\_VMON\_UV\_FAULT\_RESPONSE (F9h)

**Definition:** Configures the VDRV undervoltage fault response.

**Data Length in Bytes:** 1

**Data Format:** BIT

**Type:** R/W Byte

**Default Value:** 80h (Disable and no retry)

**Units:** N/A

# ZL9117M

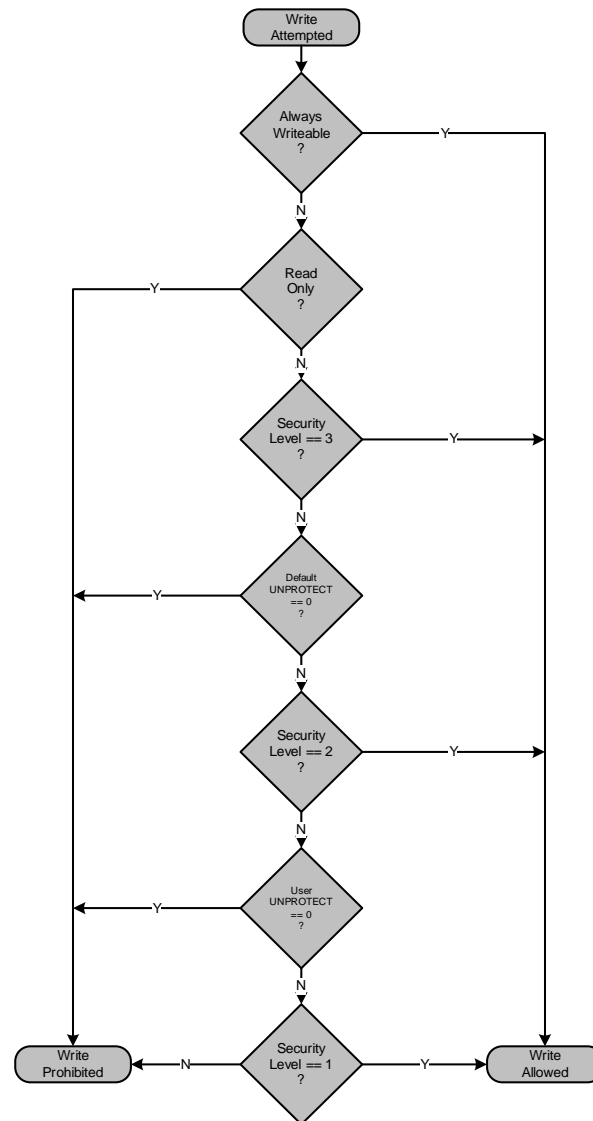
BIT	FIELD NAME	VALUE	DESCRIPTION
7:6	Response Behavior: Sets the related fault bit in the status registers. Fault bits are only cleared by the CLEAR_FAULTS command.	00	Continuous operation (Ignore fault)
		01	Delay, Disable and Retry Delay time is specified by bits [2:0] and retry attempt is specified in bits [5:3].
		10	Disable and Retry according to the setting in bits [5:3].
		11	Output is disabled while the fault is present. Output is enabled when the fault condition no longer exists.
5:3	Retry Setting	000	No Retry. The output remains disabled until the device is restarted.
		001-110	The PMBus device attempts to restart the number of times set by these bits. The time between the start is set by the value in bits [2:0].
		111	Attempts to restart continuously, without checking if the fault is still present, until it is disabled, bias power is removed, or another fault condition causes the unit to shut down.
2:0	Retry and Delay Time	000-111	This time count is used for both the amount of time between retry attempts and for the amount of time a rail is to delay its response after a fault is detected. The retry time and delay time units are defined by the type of fault within each device.

## SECURITY\_LEVEL (FAh)

**Definition:** The device provides write protection for individual commands. Each bit in the UNPROTECT parameter controls whether its corresponding command is writeable (commands are always readable). If a command is not writeable, a password must be entered in order to change its parameter (i.e., to enable writes to that command). There are two types of passwords, public and private. The public password provides a simple lock-and-key protection against accidental changes to the device. It would typically be sent to the device in the application prior to making changes. Private passwords allow commands marked as non-writeable in the UNPROTECT parameter to be changed. Private passwords are intended for protecting Default-installed configurations and would not typically be used in the application. Each store (USER and DEFAULT) can have its own UNPROTECT string and private password. If a command is marked as non-writeable in the DEFAULT UNPROTECT parameter (its corresponding bit is cleared), the private password in the DEFAULT Store must be sent in order to change that command. If a command is writeable according to the Default UNPROTECT parameter, it may still be marked as non-writeable in the User Store UNPROTECT parameter. In this case, the User private password can be sent to make the command writeable.

The device supports four levels of security. Each level is designed to be used by a particular class of users, ranging from module manufacturers to end users, as discussed below. Levels 0 and 1 correspond to the public password. All other levels require a private password. Writing a private password can only raise the security level. Writing a public password will reset the level down to 0 or 1.

[Figure 21](#) shows the algorithm used by the device to determine if a particular command write is allowed.



**FIGURE 21. ALGORITHM USED TO DETERMINE WHEN A COMMAND IS WRITEABLE**

### Security Level 3 – Module Vendor

Level 3 is intended primarily for use by Module vendors to protect device configurations in the Default Store. Clearing a UNPROTECT bit in the Default Store implies that a command is writeable only at Level 3 and above. The device's security level is raised to Level 3 by writing the private password value previously stored in the Default Store. To be effective, the module vendor must clear the UNPROTECT bit corresponding to the STORE\_DEFAULT\_ALL and RESTORE\_DEFAULT commands. Otherwise, Level 3 protection is ineffective since the entire store could be replaced by the user, including the enclosed private password.

### Security Level 2 – User

Level 2 is intended for use by the end user of the device. Clearing a UNPROTECT bit in the User Store implies that a command is writeable only at Level 2 and above. The device's security level is raised to Level 2 by writing the private password value previously stored in the User Store. To be effective, the user must clear the UNPROTECT bit corresponding to the STORE\_USER\_ALL, RESTORE\_DEFAULT\_ALL, STORE\_DEFAULT\_ALL, and RESTORE\_DEFAULT commands. Otherwise, Level 2 protection is ineffective since the entire store could be replaced, including the enclosed private password.

### Security Level 1 – Public

Level 1 is intended to protect against accidental changes to ordinary commands by providing a global write-enable. It can be used to protect the device from erroneous bus operations. It provides access to commands whose UNPROTECT bit is set in both the Default and User Store. Security is raised to Level 1 by writing the public password stored in the User Store using the PUBLIC\_PASSWORD command. The public password stored in the Default Store has no effect.

## Security Level 0 - Unprotected

Level 0 implies that only commands which are always writeable (e.g., PUBLIC\_PASSWORD) are available. This represents the lowest authority level and hence the most protected state of the device. The level can be reduced to 0 by using PUBLIC\_PASSWORD to write any value which does not match the stored public password.

**Data Length in Bytes:** 1

**Data Format:** Hex

**Type:** Read Byte

**Default Value:** 01h

## PRIVATE\_PASSWORD (FBh)

**Definition:** Sets the private password string.

**Data Length in Bytes:** 9

**Data Format:** ASCII. ISO/IEC 8859-1

**Type:** Block R/W

**Default Value:** 000000000000000000h

## PUBLIC\_PASSWORD (FCh)

**Definition:** Sets the public password string.

**Data Length in Bytes:** 4

**Data Format:** ASCII. ISO/IEC 8859-1

**Type:** Block R/W

**Default Value:** 00000000h

## UNPROTECT (FDh)

**Definition:** Sets a 256-bit (32-byte) parameter which identifies which commands are to be protected against write-access at lower security levels. Each bit in this parameter corresponds to a command according to the command's code. The command with a code of 00h (PAGE) is protected by the least-significant bit of the least-significant byte, followed by the command with a code of 01h and so forth. Note that all possible commands have a corresponding bit regardless of whether they are protectable or supported by the device. Clearing a command's UNPROTECT bit indicates that write-access to that command is only allowed if the device's security level has been raised to an appropriate level. The UNPROTECT bits in the DEFAULT store require a security level 3 or greater to be writeable. The UNPROTECT bits in the USER store require a security level of 2 or higher.

**Data Length in Bytes:** 32

**Data Format:** BIT

**Type:** Block R/W

**Default Value:** FF...FFh

## Firmware Revision History

FIRMWARE REVISION CODE	CHANGE DESCRIPTION	NOTE
FC04		Not recommended for a new design.
FC05	<ol style="list-style-type: none"> <li>1. Fixed bug: clear VMON_UV_WARNING when VMON (VDRV voltage is ramped up with a delay of &gt;50ms from VIN;</li> <li>2. Fixed bug: PID Taps in DEFAULT STORE does not work if PID Taps are stored in USER STORE on issuing RESTORE DEFAULT</li> <li>3. Fixed bug: added ADC flash trim registers in the calibration table</li> <li>4. MAX_DUTY = 91.375%</li> <li>5. OVUV_CONFIG = 00h</li> <li>6. FREQUENCY_SWITCH = 571kHz (SYNC pin open)</li> <li>7. VOUT_OV_FAULT_LIMIT = 1.15 x VOUT_COMMAND</li> <li>8. VOUT_UV_FAULT_LIMIT = 0.85 x VOUT_COMMAND</li> <li>9. IOUT_OC_FAULT_LIMIT = 37A</li> <li>10. IOUT_UC_FAULT_LIMIT = -37A</li> <li>11. VIN_OV_FAULT_LIMIT = 14.5V</li> <li>12. VIN_OV_WARN_LIMIT = 13.2V</li> <li>13. VIN_UV_WARN_LIMIT = 4.375V</li> <li>14. VIN_UV_FAULT_LIMIT = 4V</li> <li>15. TON_RISE = 10ms</li> <li>16. TON_FALL = 10ms</li> <li>17. AUTO_COMP_CONFIG = 69h</li> <li>18. MFR_CONFIG = 6A11h</li> <li>19. USER_CONFIG = 2011h</li> <li>20. INDUCTOR = 0.22μH</li> <li>21. TEMPCO_CONFIG = 2Ch</li> <li>22. DEADTIME = 1018h (H to L = 16ns, L to H = 24ns)</li> <li>23. DEADTIME_CONFIG = 8686h, freeze deadtimes</li> <li>24. DEVICE_ID = ZL9117M-002-FC05</li> <li>25. IOUT_AVG_OC_FAULT_LIMIT=25A</li> <li>26. IOUT_AVG_UC_FAULT_LIMIT=-25A</li> <li>27. MISC_CONFIG = 0800h</li> </ol>	Recommended for a new design.

For additional products, see [www.intersil.com/en/products.html](http://www.intersil.com/en/products.html)

Intersil products are manufactured, assembled and tested utilizing ISO9001 quality systems as noted in the quality certifications found at [www.intersil.com/en/support/qualandreliability.html](http://www.intersil.com/en/support/qualandreliability.html)

*Intersil products are sold by description only. Intersil Corporation reserves the right to make changes in circuit design, software and/or specifications at any time without notice. Accordingly, the reader is cautioned to verify that data sheets are current before placing orders. Information furnished by Intersil is believed to be accurate and reliable. However, no responsibility is assumed by Intersil or its subsidiaries for its use; nor for any infringements of patents or other rights of third parties which may result from its use. No license is granted by implication or otherwise under any patent or patent rights of Intersil or its subsidiaries.*

For information regarding Intersil Corporation and its products, see [www.intersil.com](http://www.intersil.com)

# ZL9117M

## Revision History

The revision history provided is for informational purposes only and is believed to be accurate, but not warranted. Please go to web to make sure you have the latest revision.

DATE	REVISION	CHANGE
December 16, 2014	FN7914.4	Removed all references to AN2033 Electrical Spec Table - Driver Supply Current , IVDRV TYP from 25 to 30 and in conditions changed "No Load" to $I_{OUT} = 17A$ Switching Frequency Range MIN from 500 to 400 Added Firmware Revision History column to ordering information on page 4 and note referencing the history. Made correction to Part Marking in ordering information for ZL9117MAIRZ from ZL9117MA to ZL9117M. Updated Efficiency Curves (Figures 2 through 4) for various voltages with additional information on page 9. "Switching Frequency and PLL" on page 12 - added text and tables after 1st paragraph. Updated Equations in "Output Capacitor Selection" on page 18 Added PMBus Command Summary and Description beginning on page 20. Updated PMBus Command Summary table Updated "Snapshot Parameter Capture" on page 17. Added lines 4 to 27 in FC05 change descriptions in "Firmware Revision History" on page 55.
May 10, 2013	FN7914.3	page 4: Added ZL9117MAIRZ to ordering information table. Page 6 - Electrical Spec Table changed in Input and Supply Characteristics section Driver Supply current, IVDRV - Conditions, Typ and Unit From: Not Switching, 190, $\mu A$ To: VDRV = 6V, VOUT = 1.0V, FSW = 571kHz, No Load, 25, mA
December 4, 2012	FN7914.2	Changed CIN and COUT values in Figure 1 on page 1. Removed Notes from Figure 1 on page 1. Moved to pin description table (page 3) and typical application (page 6). Line and load regulation on output characteristic (Electrical Specifications) were combined to provide output voltage accuracy specification. Added "ZL9117M Internal Block Diagram" on page 5. Added "Typical Application - Single Module" on page 6. Added "Output Voltage Selection" on page 11. Added "Output Voltage Tracking" on page 15. Added "Output Capacitor Selection" and "Input Capacitor" on page 18. Updated first bullet in "Monitoring via I2C/SMBus" on page 17. Updated Figure 19 on page 18.
October 12, 2011	FN7914.1	On page 1: Changed ".. required for a complete DC/DC power solution." in first paragraph to ".. required for a highly integrated DC/DC power solution." Added "This power module has built-in auto-compensation algorithms, which eliminates the need for manual compensation design work." to first paragraph. Changed "The ZL9117M features internal compensation.." to "The ZL9117M features auto-compensation.." Added "Auto Compensating PID Filter" to "Features".
August 30, 2011	FN7914.0	Initial Release

## About Intersil

Intersil Corporation is a leading provider of innovative power management and precision analog solutions. The company's products address some of the largest markets within the industrial and infrastructure, mobile computing and high-end consumer markets.

For the most updated datasheet, application notes, related documentation and related parts, please see the respective product information page found at [www.intersil.com](http://www.intersil.com).

You may report errors or suggestions for improving this datasheet by visiting [www.intersil.com/ask](http://www.intersil.com/ask).

Reliability reports are also available from our website at [www.intersil.com/support](http://www.intersil.com/support)

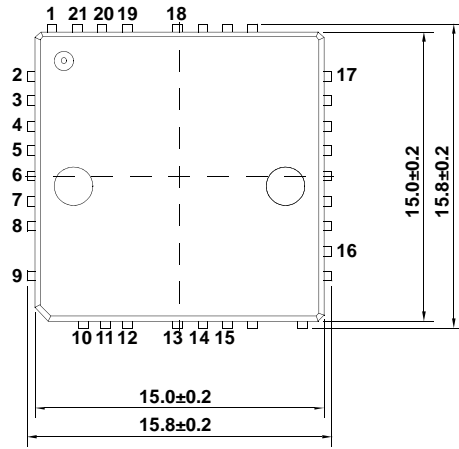


# Package Outline Drawing

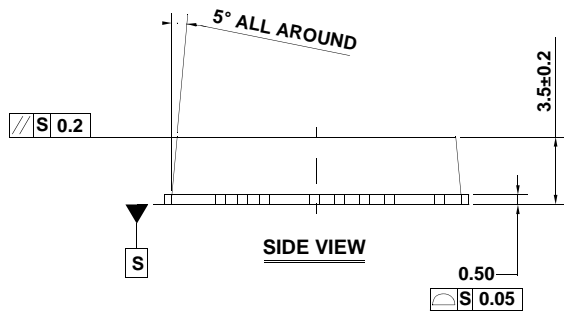
## L21.15x15

21 LEAD QUAD FLAT NO-LEAD PLASTIC PACKAGE (PUNCH QFN)

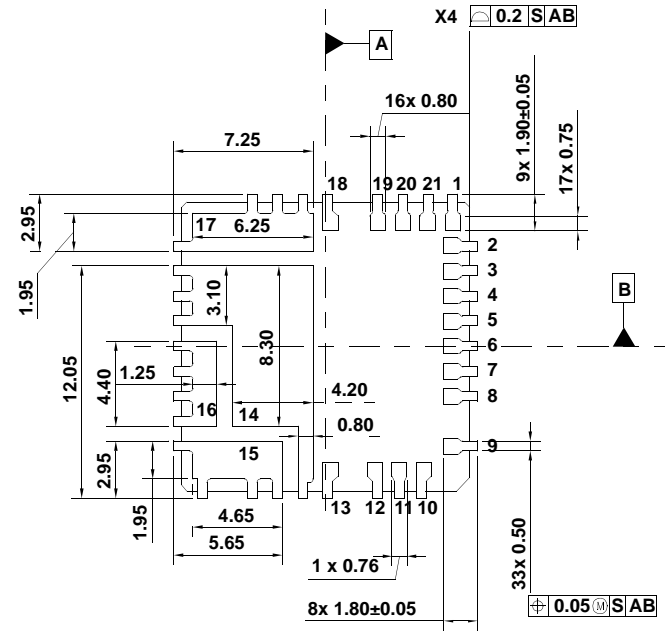
Rev 2, 8/11



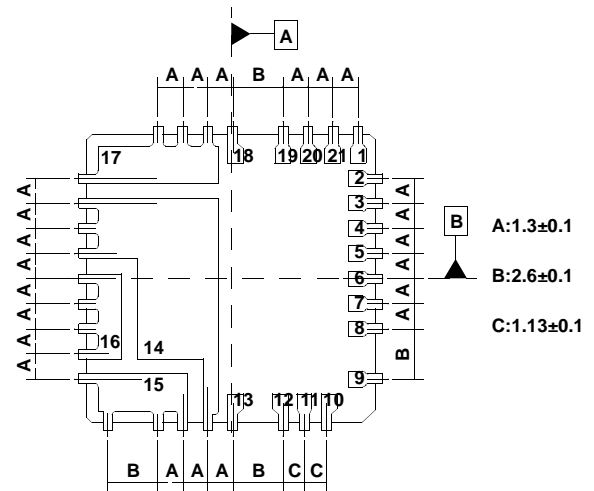
TOP VIEW



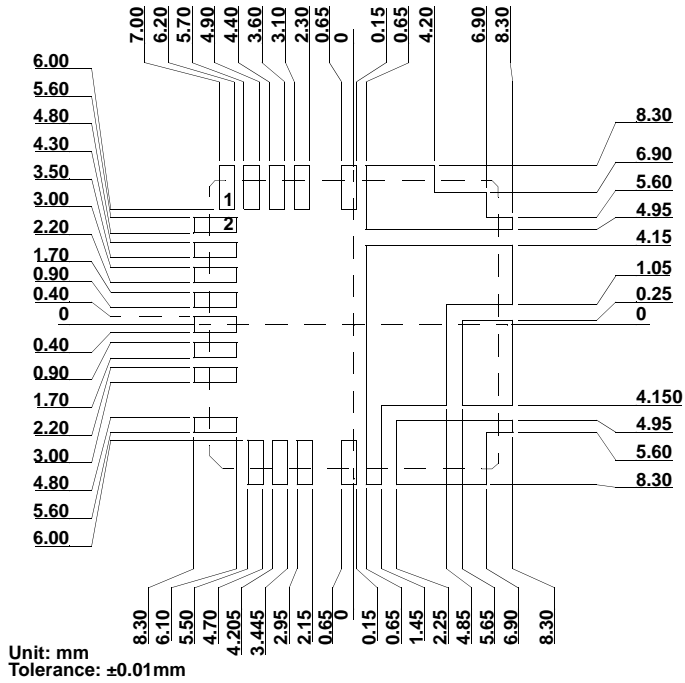
SIDE VIEW



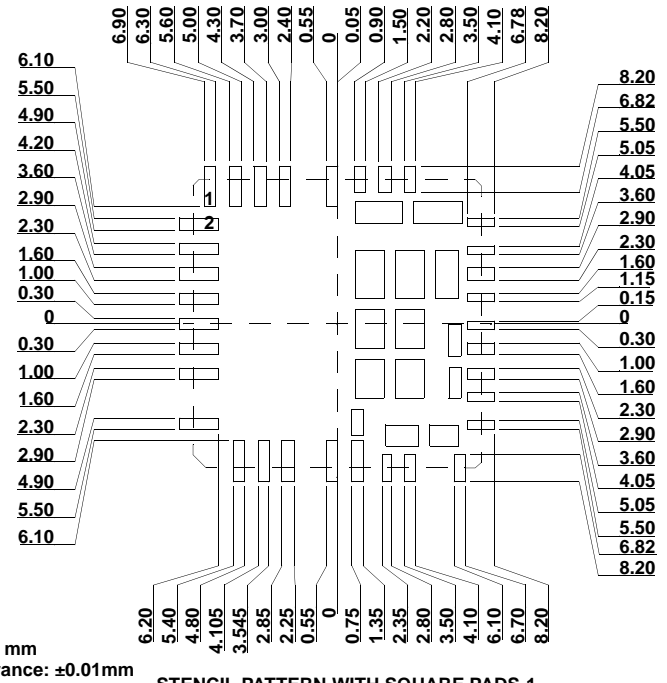
BOTTOM VIEW



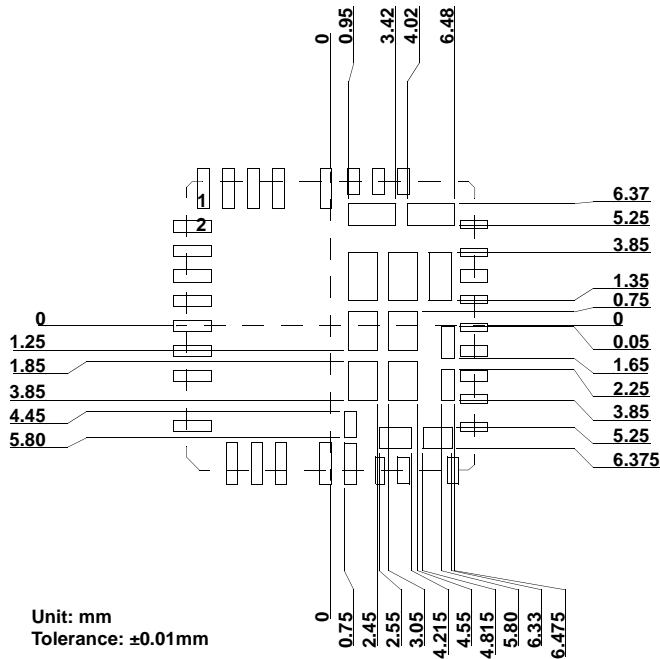
ZL9117M



TYPICAL RECOMMENDED LAND PATTERN



STENCIL PATTERN WITH SQUARE PADS-1



STENCIL PATTERN WITH SQUARE PADS-2

NOTES:

1. Dimensions are in millimeters.
2. Unless otherwise specified, tolerance : Decimal ± 0.2; Body Tolerance ±0.2mm
3. The configuration of the pin #1 identifier is optional, but must be located within the zone indicated. The pin #1 identifier may be either a mold or mark feature.