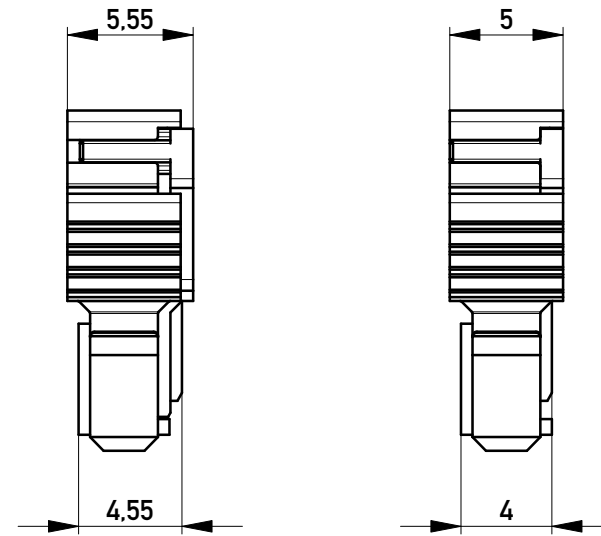
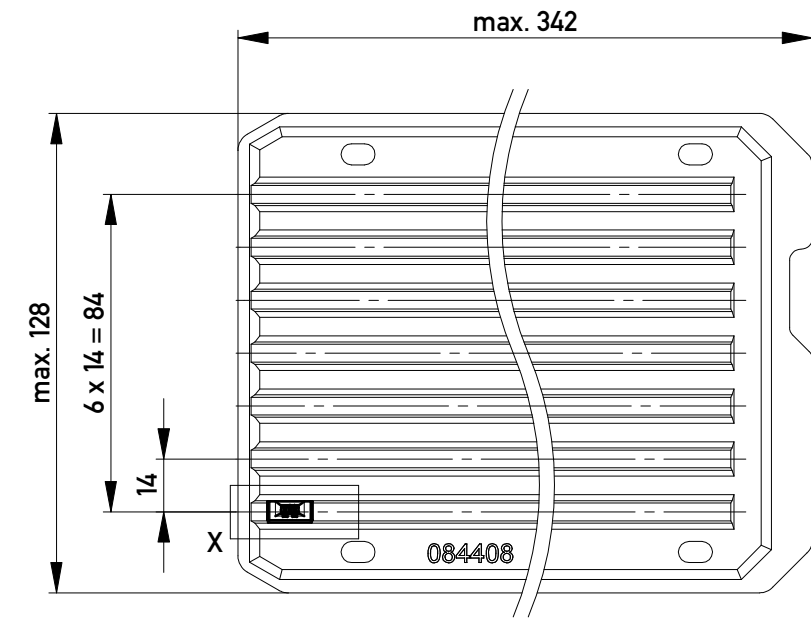


Abdeckung vorverrastet
cover loose mounted

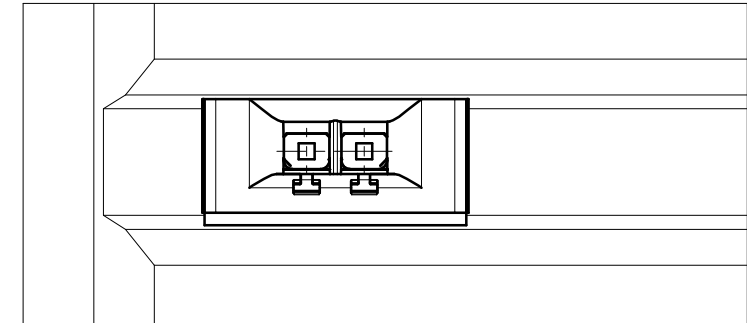
Abdeckung verpresst
cover pressed on



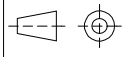

Verpackt in Tray - tray packaging
Verpackungseinheit 182 Stück - packaging unit 182



Einzelheit X
detail X



Copyright by ERNI GmbH
Proprietary notice pursuant to ISO 16016 to be observed.

| | | | | | |
|--|------------|---|---|--|--------|
| Information: Codierung blau - coding blue | | Tolerances |  | Scale | 3:1 |
| All rights reserved. Only for Information. To ensure that this is the latest version of this drawing, please contact one of the ERNI companies before using. | | Subject to modification without prior notice. Drawing will not be updated. | | Designation F 2.54 SRC-A, 2-polig BA 2 | |
| www.ERNI.com | |  | | 103602070001 | |
| c | 14.05.2014 | | | K | |
| Index | Date | | | A3 | |
| | | | | Class | SRCBUG |