

# Sealed Rocker Switch



## Single and Double Pole KM Series

### Features

- Snap-in mounting
- RoHS compliant
- 100,000 cycles mechanical life
- IP56
- Switches up to 20 A
- Lighted and non-lighted versions available

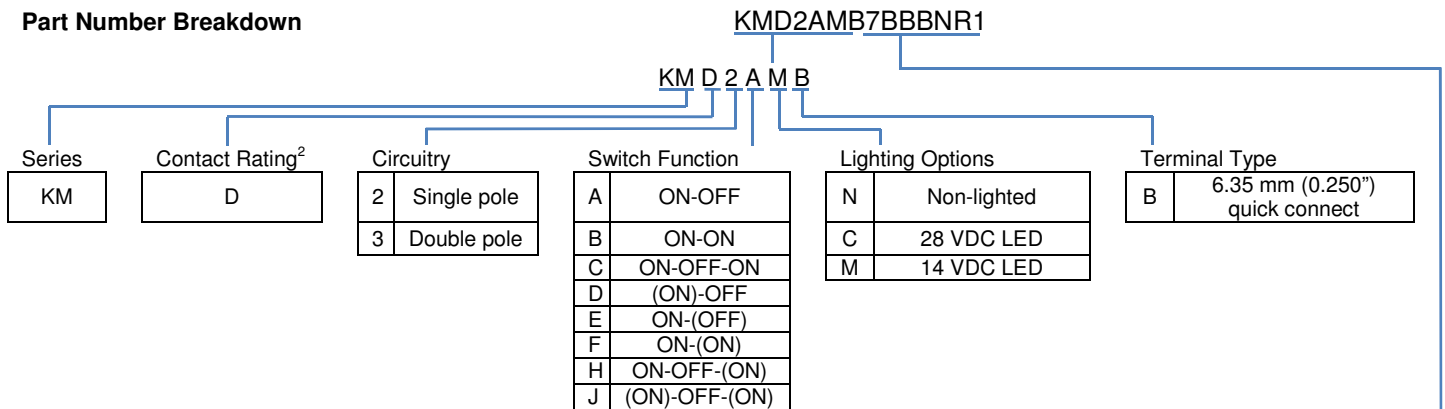
### Standard Parts<sup>1</sup>

North America and Europe		
KMD2AMB7BBBNR1	KMD2CNB1BBNNNN	KMD3CMB8BBBRG2

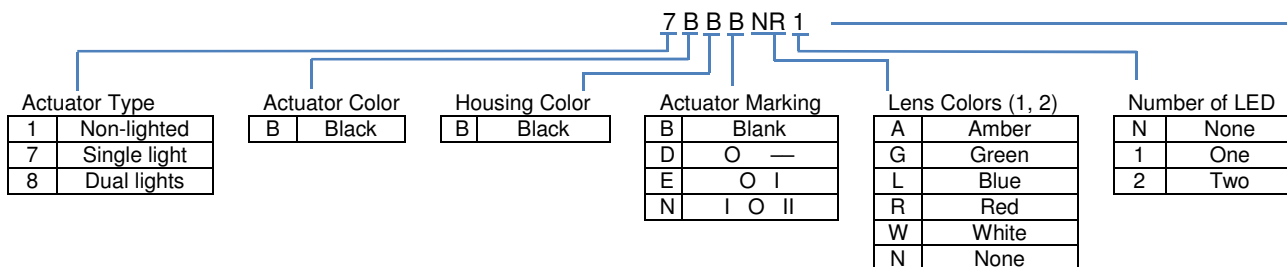
<sup>1</sup>The part number configuration matrix below provides details to the part numbers above.

For configurable part numbers that are not listed above, not listed in your region, or for custom part numbers, contact the factory or your distributor.


### Part Number Breakdown



<sup>2</sup>See Electrical Specifications section



PLEASE NOTE  
CHERRY  
will become  
ZF in 2017.



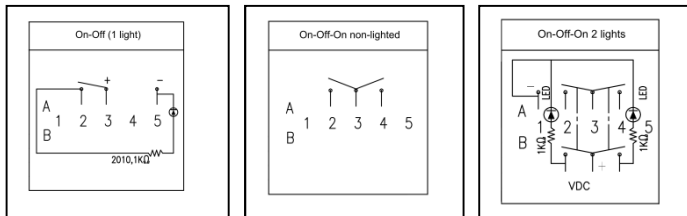
## Electrical Specifications

Dielectric Strength	1500 VAC for 1 minute	
Insulation Resistance	100 MΩ min at 500 VDC	
Initial Contact Resistance	0.050 Ω max	
<b>Electrical Ratings</b>		
<b>Lighting Option</b>	<b>VAC</b>	<b>VDC</b>
N	20 A 125 VAC / 10 A 250 VAC	21 A 14 VDC
C, M	N/A	21 A 14 VDC

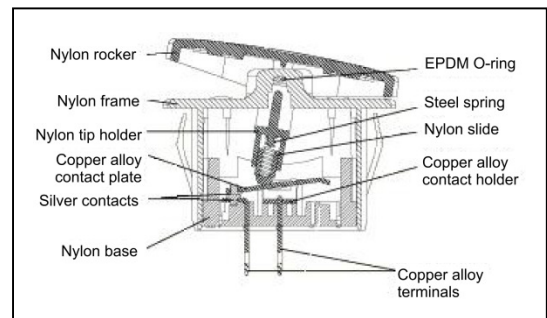
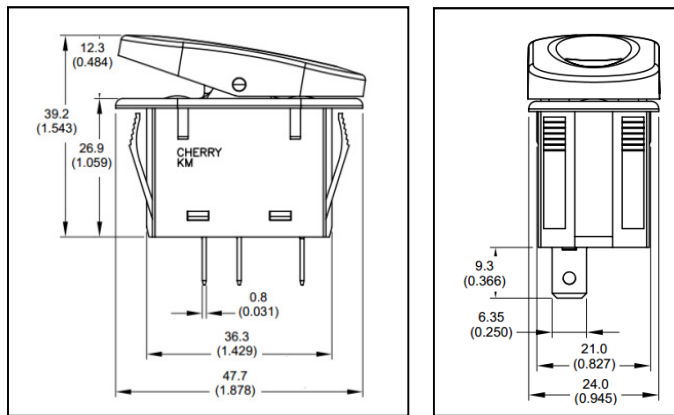
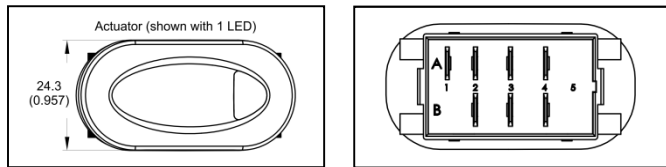
## Material and Environmental Specifications

Actuator	Soft Material Molded Polycarbonate Lens
Housing	Nylon 66 94 V-2
Bezel	Nylon 66 with 33% Glass Fiber
Spring	Steel
Contacts	Silver-Plated Copper Alloy
Movable Arm	Silver-Plated Copper Alloy
Terminals	Silver-Plated Copper Alloy
Operating Temperature Range	-25 °C to +85 °C (-13 °F to +185 °F)
Ingress Protection	IP56

## Circuitry and Switch Functions



## Dimensions mm (inches)



Recommended Panel Cut-Out Dimensions		
Panel thickness	Dimension Y	Dimension X
0.75 to 1.25 (0.030 to 0.049)	36.6±0.2 (1.441±0.004)	21.2±0.1 (0.835±0.004)
1.25 to 2.00 (0.049 to 0.079)	36.8±0.2 (1.449±0.004)	
2.00 to 3.00 (0.079 to 0.118)	37.0±0.2 (1.457±0.004)	