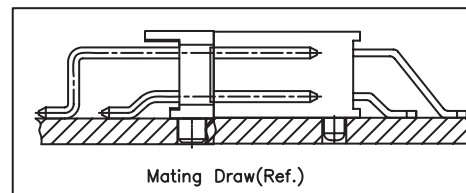


PCB LAYOUT - COMPONENT VIEW



TECHNICAL CHARACTERISTICS

MATERIAL  
 INSULATOR: PA 6T  
 FLAMABILITY RATING: UL94-V0  
 COLOR: BLACK  
 CONTACT MATERIAL: COPPER ALLOY  
 CONTACT TYPE: STAMPED CONTACT  
 PLATING: GOLD

ENVIRONMENTAL  
 OPERATING TEMPERATURE: -40°C UP TO +105°C  
 COMPLIANCE: LEAD FREE AND ROHS

ELECTRICAL  
 CURRENT RATING: 3A  
 WORKING VOLTAGE: 250V AC/DC  
 INSULATION RESISTANCE: >1000MΩ  
 WITHSTANDING VOLTAGE: 600 VAC/min  
 CONTACT RESISTANCE: 20 mΩ max

SOLDERING  
 JEDEC LEAD FREE REFLOW SOLDERING PROCESS

PACKAGING  
 TAPE & REEL

DIMENSIONS  
 A = 2.54 x (NB. PINS/2-1)  
 B = 2.54 x (NB. PINS/2)

AVAILABLE IN:  
 6-8-10-12-14-16-20-22-24-26

RoHS Compliant

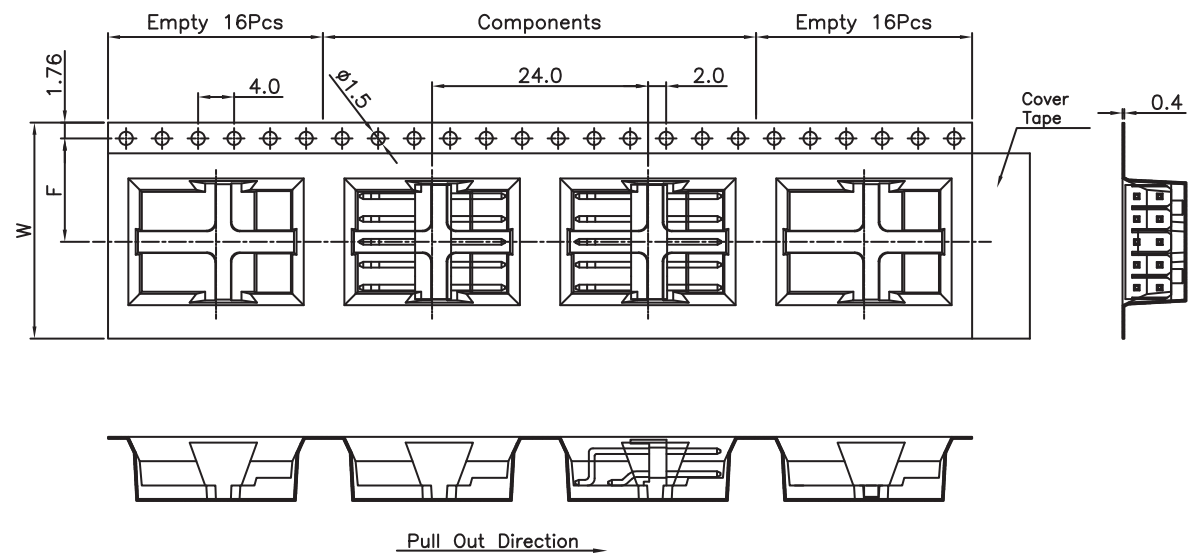
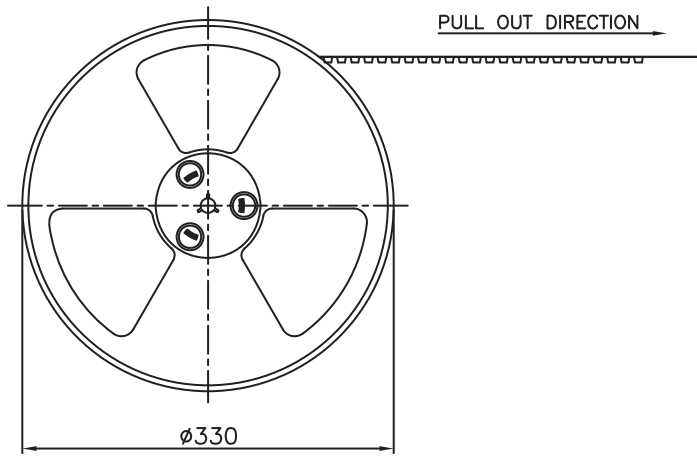
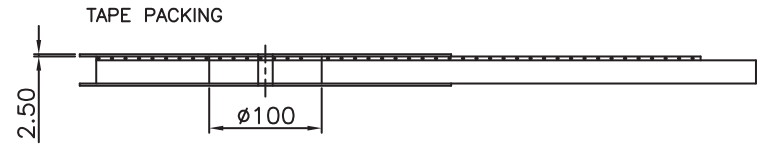
G			
F			
E			
D			
C			
B			
A	06-NOV-14	PDF	AS
REV	DATE	FILE	BY

PROJECTION:	
APPROVAL: GM	

GENERAL TOLERANCE
.X = +/- 0.2
.XX = +/- 0.15
UNIT: MM
SCALE:
SHEET: 1/3
DRAW: AS

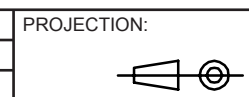
DESCRIPTION: WR-PHD - 2.54MM PIN HEADER - SMT TYPE	
DOUBLE ROW RIGHT ANGLE	
WERI PART NO: 610 1xx 249 121	

SIZE
<b>A4</b>



Pin No	W	F	PCS/R	R/CTN	Q'TY
06	16	7.5	350	12	4200
08-12	24	11.5	350	9	3150
14-16	32	14.2	350	7	2450
20-26	44	20.2	350	5	1750

RoHS Compliant			
G			
F			
E			
D			
C			
B			
A	07-NOV-14	PDF	AS
REV	DATE	FILE	BY



GENERAL TOLERANCE

.X = +/- 0.2

.XX = +/- 0.15



APPROVAL: GM

UNIT: MM

SCALE:

SHEET: 2/3

DRAW: AS

DESCRIPTION: WR-PHD - 2.54MM PIN HEADER - SMT TYPE  
DOUBLE ROW RIGHT ANGLE

WERI PART NO: 610 1xx 249 121

SIZE

**A4**

1

2

3

4

5

## Cautions and Warnings:

This electronic component is designed and developed with the intention for use in general electronics equipments.

Before incorporating the components into any equipments in the field such as aerospace, aviation, nuclear control, submarine, transportation, (automotive control, train control, ship control), transportation signal, disaster prevention, medical, public information network etc. where higher safety and reliability are especially required or if there is possibility of direct damage or injury to human body, Würth Elektronik must be asked for a written approval.

In addition, even electronic component in general electronic equipments, when used in electrical circuits that require high safety, reliability functions or performance, the sufficient reliability evaluation-check for the safety must be performed before by the user before usage.

A

B

C

RoHS Compliant

G				PROJECTION: 	GENERAL TOLERANCE .X = +/- 0.2 .XX = +/- 0.15		
F							
E							
D							
C				APPROVAL: JC	UNIT: MM	DESCRIPTION: DISCLAIMER	SIZE <b>A4</b>
B					SCALE:		
A	10-SEP-14	PDF	QL		SHEET: 3/3	WERI PART NO: DISCLAIMER	
REV	DATE	FILE	BY		DRAW: QL		

D