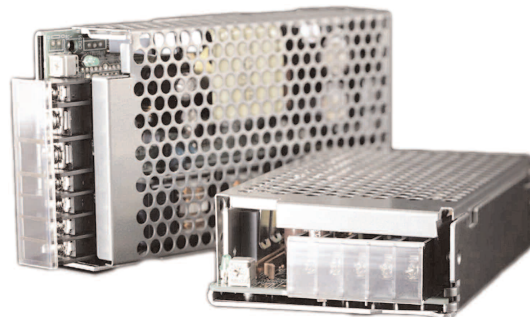


PBI6C Series

50 - 150 WATTS AC/DC SINGLE OUTPUT WITH REMOTE CONTROL

FEATURES

- Universal input 85-264Vac/110-350Vdc
- Small size and light weight
- Harmonic current regulation
- Remote control on all models
- Low leakage <500µA
- DC input all models
- Short circuit, over current and over voltage protected
- DIN Rail mount option available
- 5 years warranty



INPUT

Voltage	85~264Vac / 110~350Vdc.
Frequency	50/60 Hz.
Inrush current	14A @ 100V 28A @200V

OUTPUT

Output voltage	See table.
Voltage adjustment 50W-150W:	12 Vdc: 10.8Vdc to 13.2 Vdc 15 Vdc: 13.5Vdc to 16.5 Vdc 24 Vdc: 21.6Vdc to 26.4 Vdc 48 Vdc: 43.2Vdc to 52.8 Vdc
Output current	See table.
Minimum load	Unit will operate with zero load.
Ripple and Noise	12V-36V output 150mV pk-pk 48V output 250mV pk-pk
Line regulation	12V: 48mV max 15V: 60mV max 24V: 96mV max 48V: 192mV max
Load regulation	12V: 100mV 15V: 120mV 24V: 150mV 48V: 240mV
Temperature drift	12V: 48mV max 15V: 60mV max 24V: 96mV max 48V: 192mV max
Over Current protection	Works at approximately 105% of rated current with auto recovery
Over Current protection	Yes
Over Voltage protection	Yes
Remote sense	Optional
Remote control	Yes
Rise time	30ms typical
Holdup time	30ms max

OPERATING

Efficiency	At AC 200V 79%-89%
Indicators	Power source on LED indication ; Green

ENVIRONMENTAL

Operating temperature	-10°C to 71°C (50W) derate from 50°C , (100-150W) derate linearly from: 50°C (Vertical Mounting) , 40°C (Horizontal Mounting),
Cooling	Convection
Humidity	20%-90% non-condensing.
Vibration	10Hz-55Hz at 2G
Shock	196 m/s ² X, Y, Z axis

STANDARDS

Safety	UL60950-1 1st ed., CAN/CSA C22.2 No.60950-1-03 Approved UL508 17th ed. , CAN/CSA C22.2 No.107.1-01 Approved EN60950-1:2001+A11:2004 Approved CE Marking: EN60950-1:2001+A11:2004(LVD) Declared
C-Tick	AS/NZS CISPR11 Group 1 Class A.
Line Harmonic Distortion/Current	IEC61000-3-2 Compliant
EMI compliances	Built to meet FCC part 15 class B, VCCI-B, CISPR22-B, EN55022-B
CE marking	Complies with LVD and EMC Directives

PBI6C Series

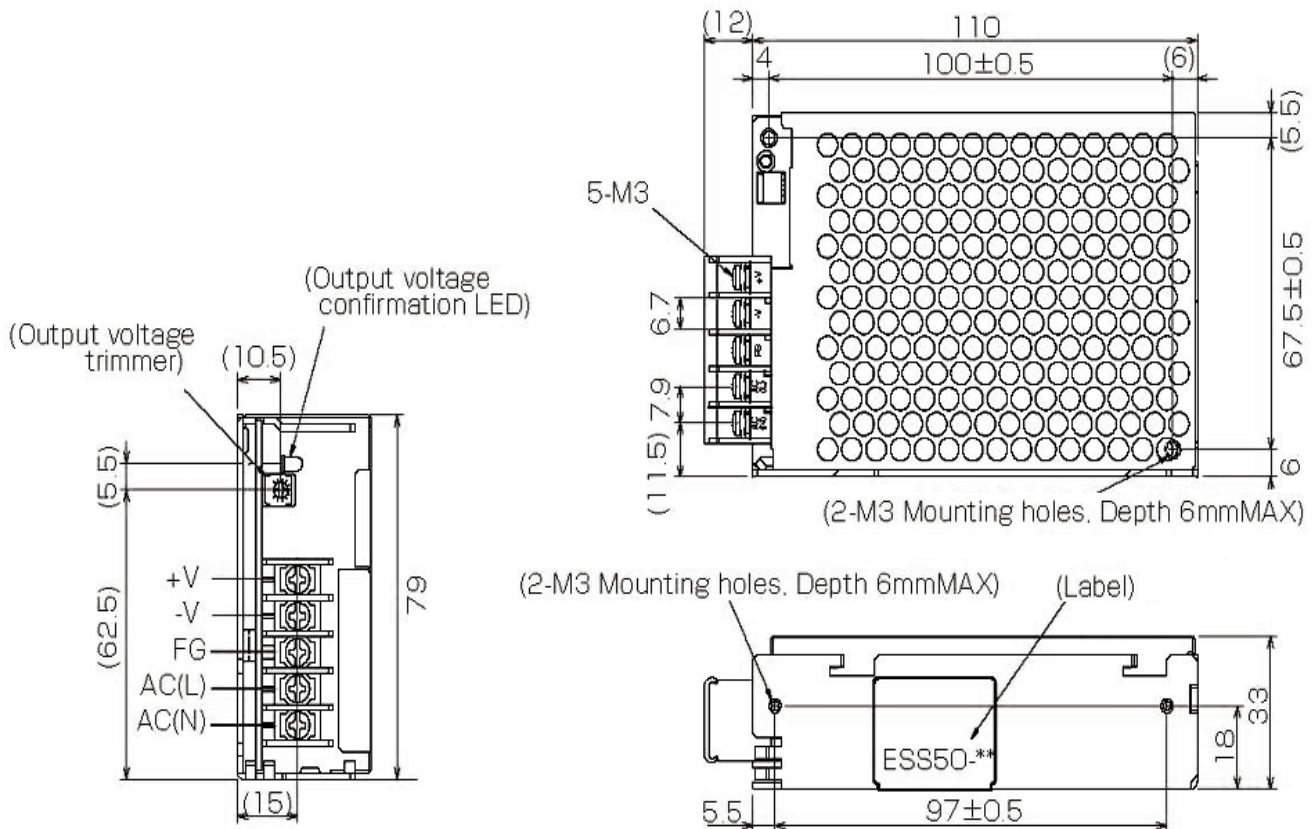
50 - 150 WATTS AC/DC SINGLE OUTPUT WITH REMOTE CONTROL

SELECTION TABLE

MODEL NUMBER	OUTPUT		RIPPLE NOISE	POWER
PBI6C-12J-R	12V	4.3A	150mVp-p	50W
PBI6C-15J-R	15V	3.5A	150mVp-p	50W
PBI6C-24J-R	24V	2.2A	150mVp-p	50W
PBI6C-48J-R	48V	1.1A	250mVp-p	50W
PBI6C-12M-R	12V	8.5A	150mVp-p	100W
PBI6C-15M-R	15V	7A	150mVp-p	100W
PBI6C-24M-R	24V	4.5A	150mVp-p	100W
PBI6C-48M-R	48V	2.1A	250mVp-p	100W
PBI6C-12R-R	12V	13A	150mVp-p	150W
PBI6C-15R-R	15V	10A	150mVp-p	150W
PBI6C-24R-R	24V	6.5A	150mVp-p	150W
PBI6C-48R-R	48V	3.3A	250mVp-p	150W

TECHNICAL ILLUSTRATIONS

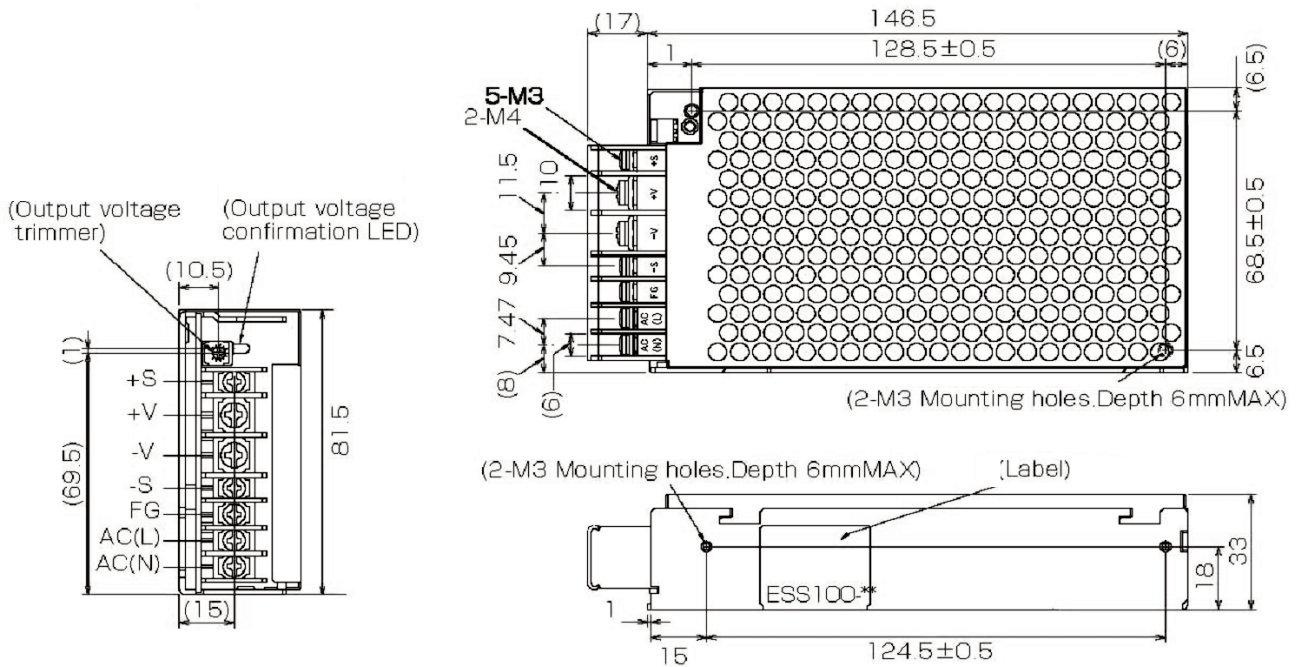
PBI6C-J Models



PBI6C Series

50 -150 WATTS AC/DC SINGLE OUTPUT WITH REMOTE CONTROL

PBI6C-M Models



PBI6C-R Models

