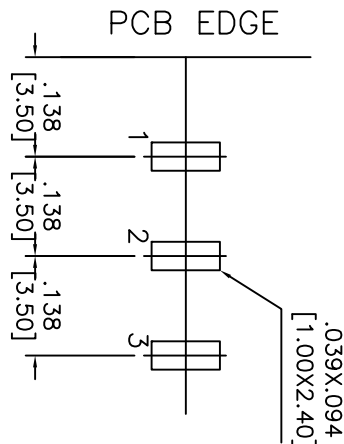
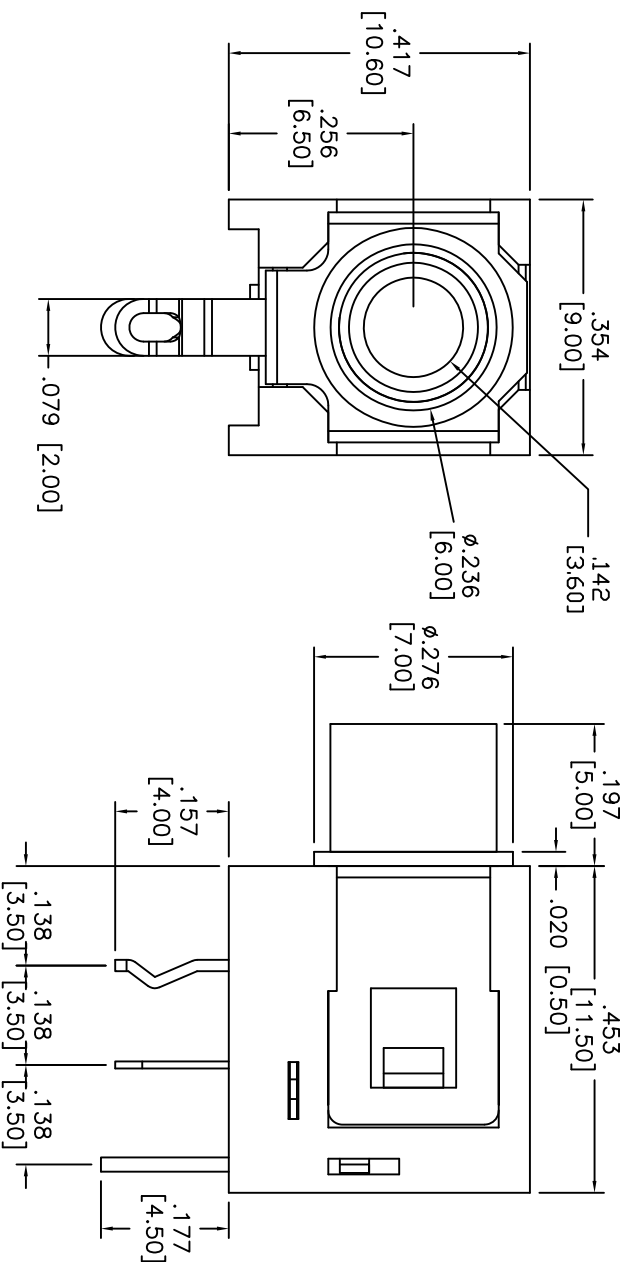
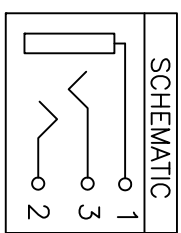


Rev	AWO #	Description	Date	Appr
-		RELEASED	5/11/10	

APPROVED: \_\_\_\_\_  
 DATE: \_\_\_\_\_ TITLE: \_\_\_\_\_



RECOMMENDED PCB LAYOUT  
(BOTTOM VIEW)



**ADAM TECH**  
 909 Rahway Avenue, Union, NJ 07083  
 Phone: 908-687-5000 Fax: 908-687-5710

**3.5MM STEREO PHONE JACK, 3PIN**

**ADAM TECH**  
 909 Rahway Avenue, Union, NJ 07083  
 Phone: 908-687-5000 Fax: 908-687-5710

**SPECIFICATIONS:**  
 Material: PBT, rated UL 94V-0  
 Insulator color: Black  
 Contacts: Copper Alloy, Tin plated.  
 Electrical:  
 Rated Voltage & Current: DC 12V, 2A max; AC100V, 1A max.  
 Contact resistance: 30 mohms max.  
 Insulation resistance: 100 Mohms min.  
 Dielectric withstanding voltage: 500 VAC for 1 minute  
 Temperature Rating:  
 Operating temperature: -25°C to +85°C  
 Environmental:  
 Lead free, RoHS compliant.  
 Recommended soldering temp: 235°C for 5 sec.



**UNLESS OTHERWISE SPECIFIED**  
 ALL DIMENSIONS ARE INCHES [MM]  
 TOLERANCES: EXCEPT AS NOTED  
 INCHES HOLEES [MM]  
 .X ±.10 ØXX ±.10  
 .XX ±.020 ØXXX ±.015  
 .XXX ±.015 ØXXXX ±.010

APPROVALS	DATE
DRAWN	5/11/10
CHECKED	
APPROVED	

SIZE	PART NO.	REV.
X	ASL-125-3	-
REF: S00095T	SCALE: NTS	SHEET 1 OF 1