

15 Series

RoHS
Compliant

NYLON 6.6

GENERAL PURPOSE

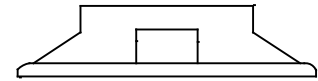
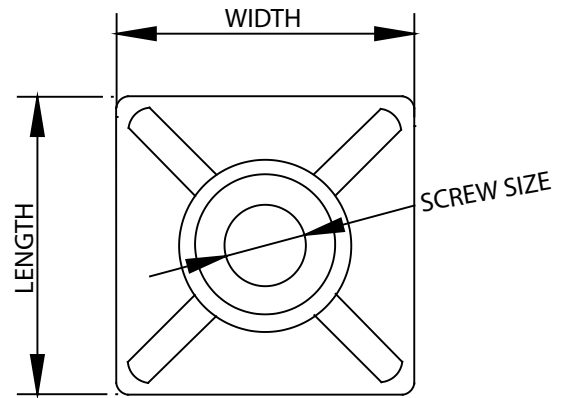
APPLICATION OPERATING TEMPERATURE: -40°C to +85°C

APPROVALS¹:  US

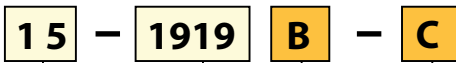


| Part Number | Length mm [Inch] | Width mm [Inch] | Screw Size | Cable Ties Width up to mm [Inch] |
|-------------|------------------|-----------------|------------|----------------------------------|
| 15-1919 | 19.0 [.750] | 19.0 [.750] | M5 [#10] | 3.6 [.140] |
| 15-2525 | 28.0 [1.10] | 28.0 [1.10] | M5 [#10] | 4.8 [.189] |
| 15-4040 | 40.0 [1.50] | 40.0 [1.50] | M5 [#10] | 9.0 [.354] |

Notes:
1. 15-4040 is not UL approved



PART NUMBER SYSTEM



SERIES

SIZE

MATERIAL/COLOR

- N: Natural
- B: Normal UV Black

PACKAGE SIZE

- C: 100PCS
- Number: Other Quantity